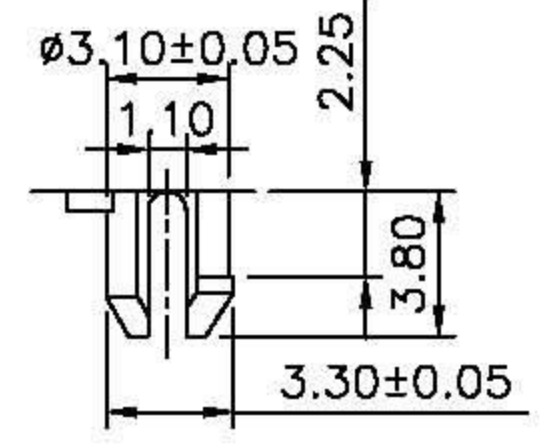
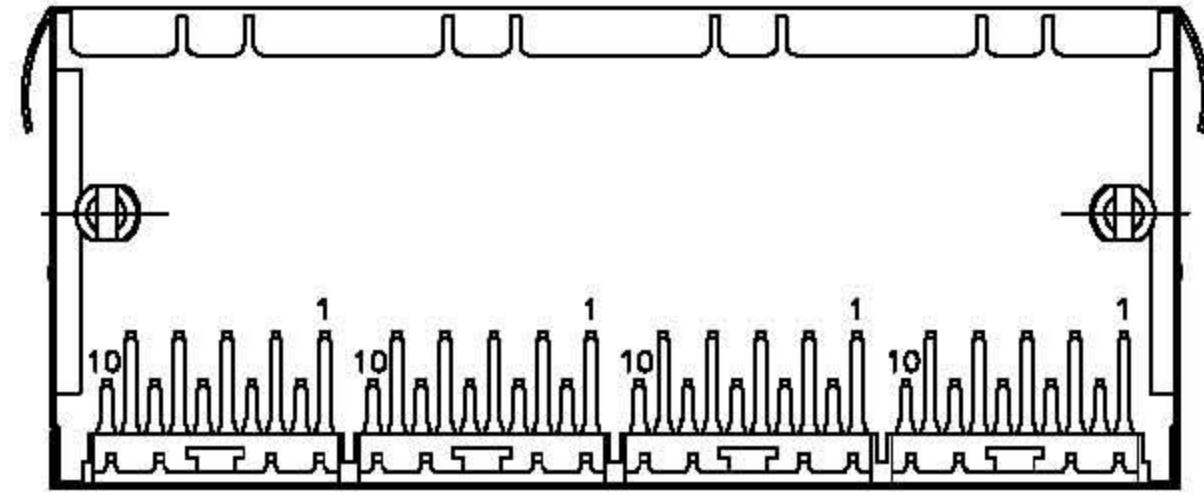


**PCB LAYOUT**  
Ref.



**DETAIL X**

DO NOT SCALE DRAWING	TOLERANCES UNLESS OTHERWISE NOTED	INCH	MM	DR. <i>M.L.HUANG</i>	DATE DEC-19 '05
THIRD ANGLE PROJECTION	LINEAR MM INCH	00 ± 000 ± 0000 ±	0.0 ± 0.30 0.00 ± 0.20 0.000 ± 0.10	CK'D <i>M.CHANG</i>	DEC-19 '05
MM INCH	ANGLE ± 0° 30'	RADII	+ 0.40 - 0.15	APP'D <i>W.J.YANG</i>	DEC-20 '05

<b>E-YUNG ENTERPRISE CO., LTD.</b>					
TITLE 4 PORT, RJ45, WITH LED'S WITH TRANSFORMER, DIP TYPE, SIDE ENTRY.					
SCALE	SIZE	DWG.NO.	REV.	SHEET	
		980802	3	1	