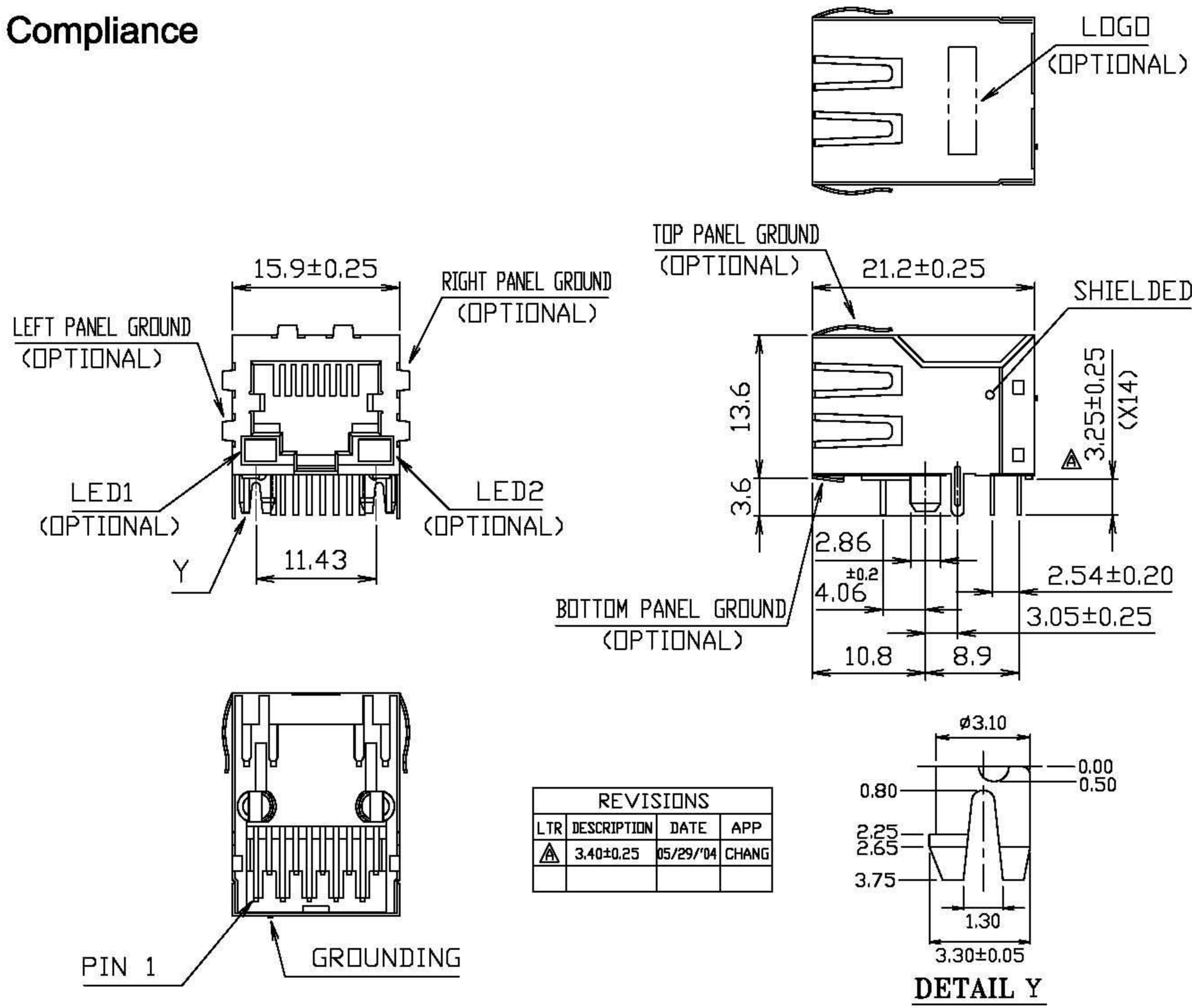
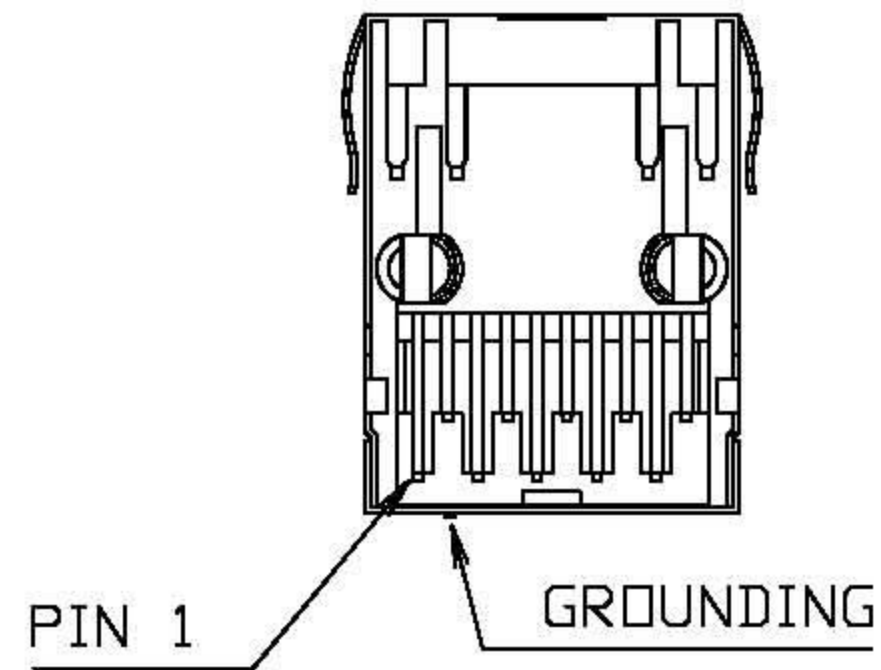
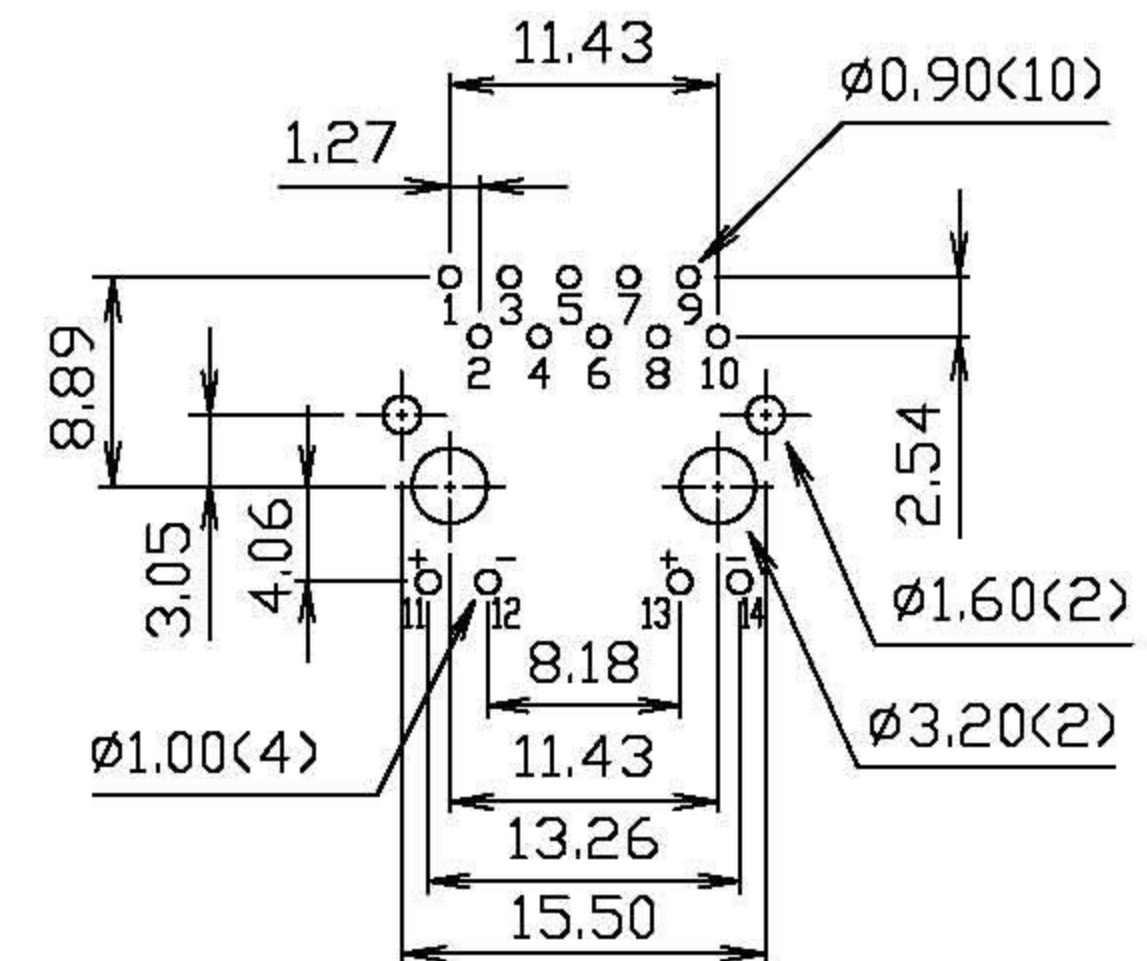


# RoHS Compliance



REVISIONS			
LTR	DESCRIPTION	DATE	APP
△	3.40±0.25	05/29/04	CHANG



## E-YUNG ENTERPRISE CO., LTD.

DO NOT SCALE DRAWING	TOLERANCES UNLESS OTHERWISE NOTED	INCH	MM	DR. <i>M.L.HUANG</i>	DATE SEP-02 '08
THIRD ANGLE PROJECTION	LINEAR $\frac{\text{MM}}{\text{INCH}}$	$00 \pm .01$ $000 \pm .005$ $0000 \pm .002$	$0.0 \pm 0.25$ $0.00 \pm 0.13$ $0.000 \pm 0.05$	CK'D <i>M.CHANG</i>	SEP-02 '08
MM INCH	ANGLE $\pm 0^\circ 30'$	RADII	$+ 0.40$ $- 0.15$	APP'D <i>W.J.YANG</i>	SEP-02 '08

TITLE SINGLE PORT, RJ45, SHIELDED, WITH LED WITH TRANSFORMER, SIDE ENTRY PCB JACK				
SCALE	SIZE	DWG.NO.	REV.	SHEET
		980501	5	1