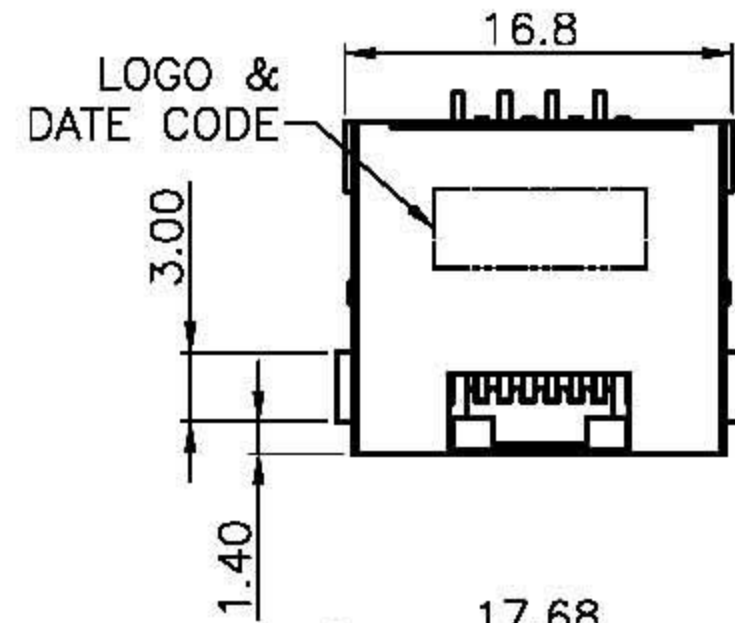
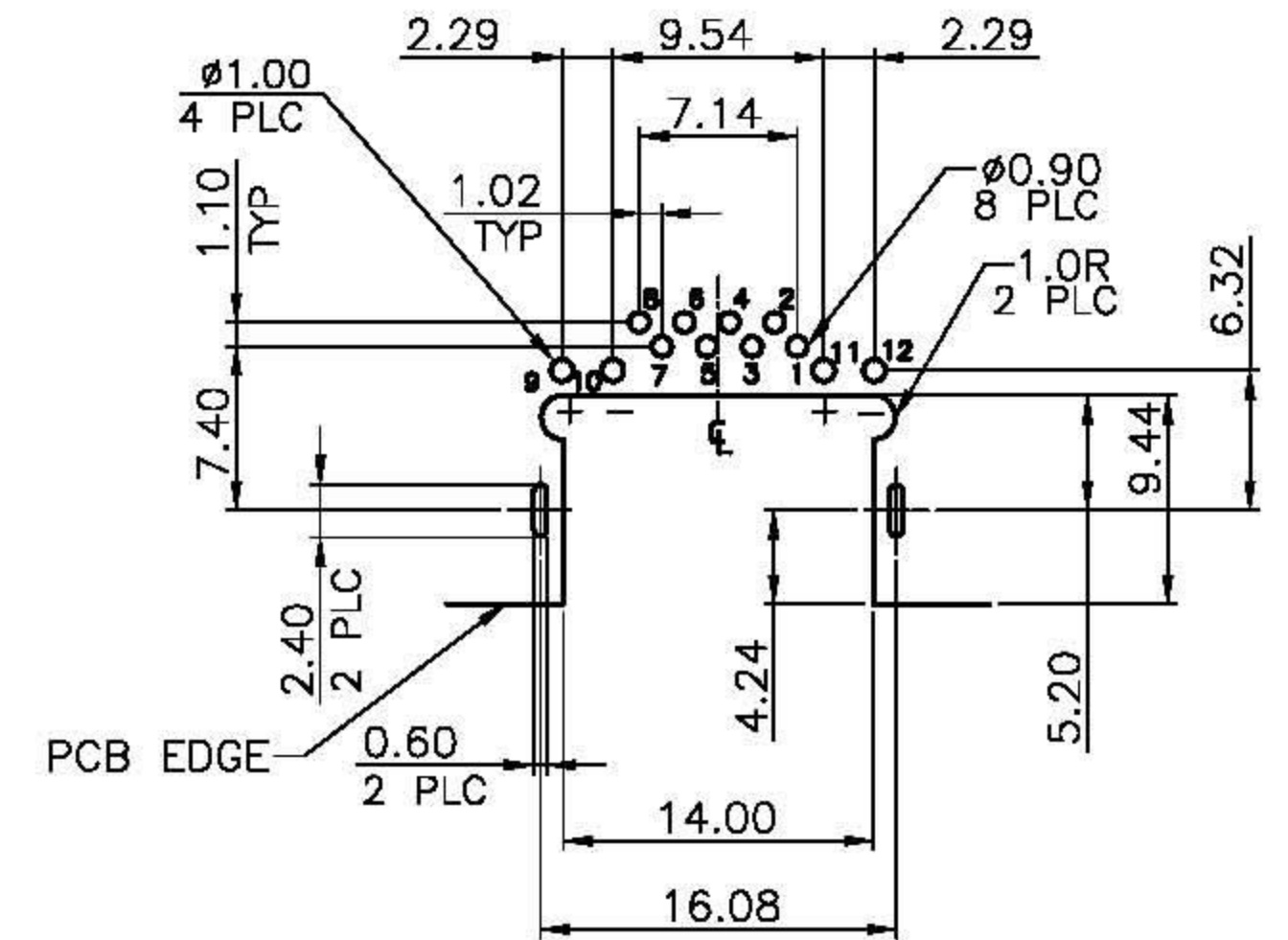
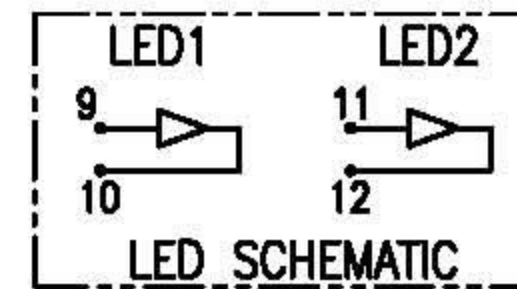
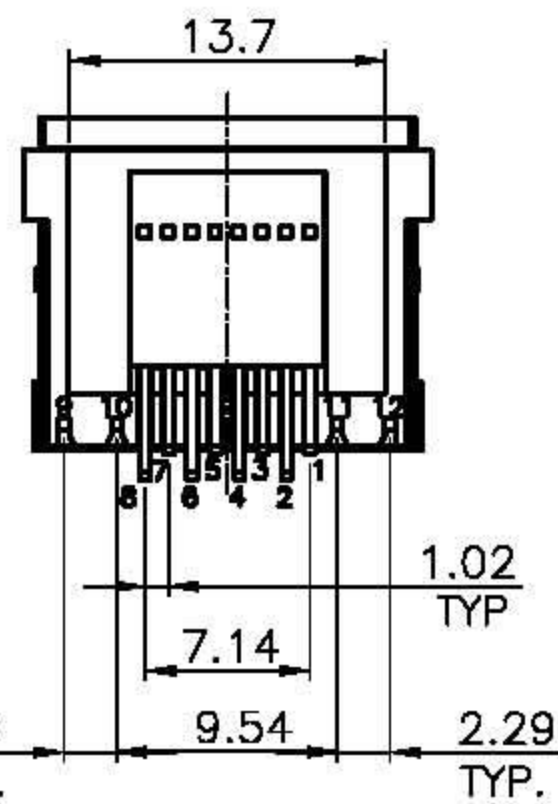
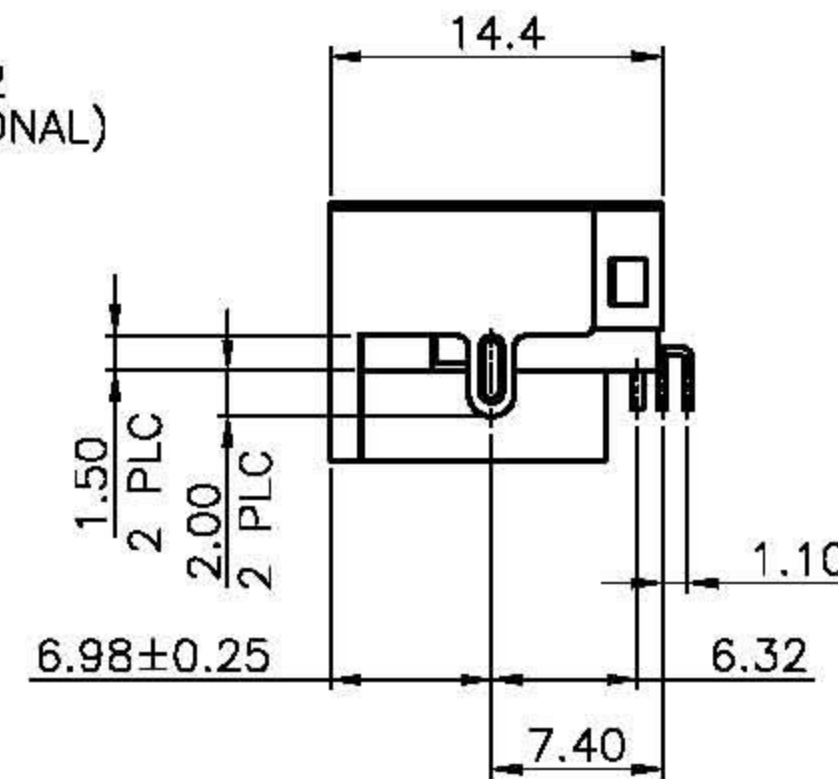
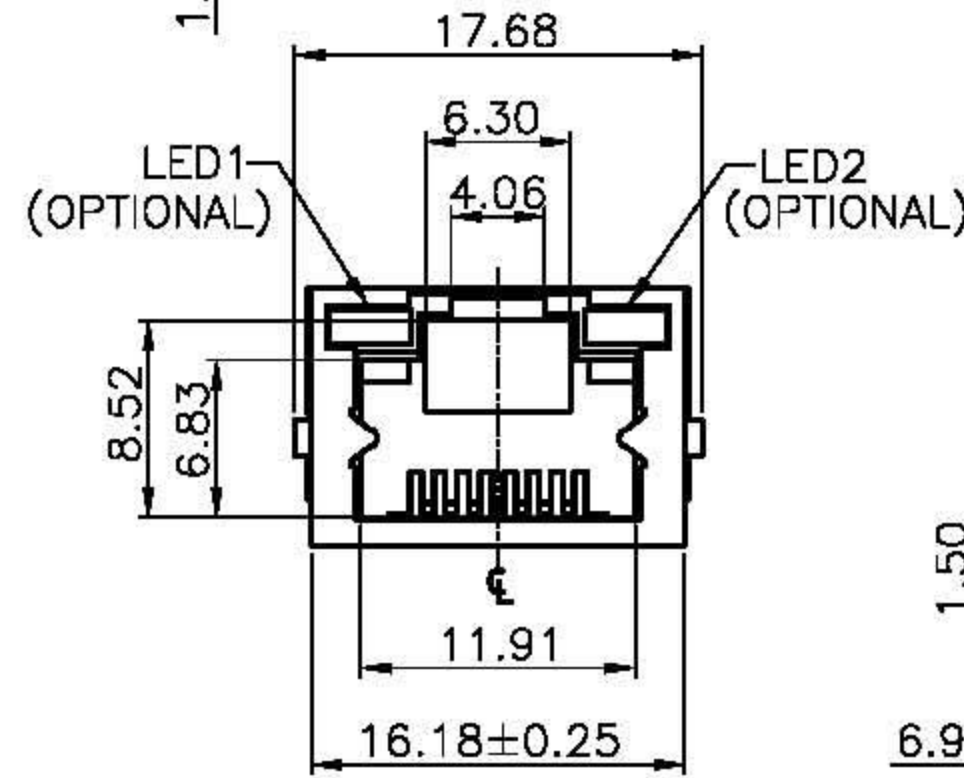


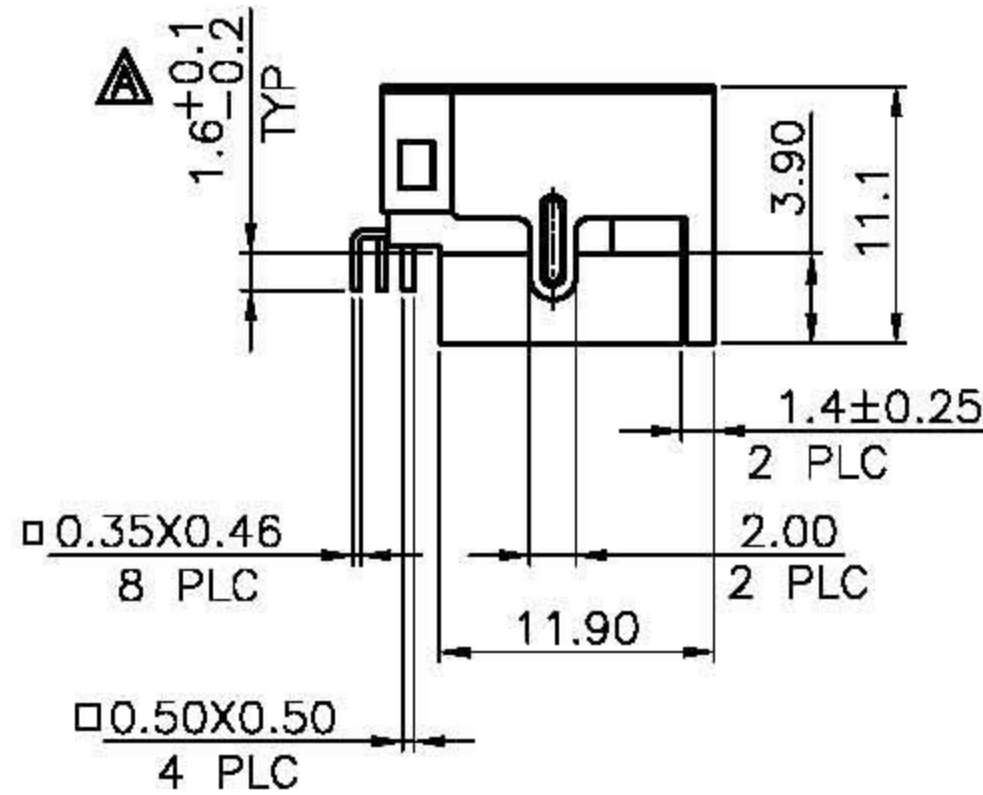
RoHS Compliance



REVISIONS			
LTR	DESCRIPTION	DATE	APP
▲	1.7±0.3	10/23/08	CHWG



RECOMMENDED PCB LAYOUT (THICKNESS: 1.2mm)
 DIMENSION TOLERANCE: 1 PLC: ±0.1 2PLC: ±0.05
 TOP VIEW



DATE CODE 說明
 XXXXXX
 | | | | | |
 年 週 序 星
 份 數 號 期
 (班)
 別
 範例: 0833D4
 | | | | | |
 2008 第 早 星
 年 33 期
 週 班 三

DO NOT SCALE DRAWING	TOLERANCES UNLESS OTHERWISE NOTED	INCH	MM	DR. CIAN.CI.LUO	DATE DEC-29 '08
THIRD ANGLE PROJECTION	LINEAR MM INCH	00 ± 000 ± 0000 ±	0.0 ± 0.25 0.00 ± 0.20 0.000 ± 0.10	CK'D M.CHANG	DEC-29 '08
MM INCH	ANGLE ± 0° 30'	RADII	+ 0.40 - 0.15	APP'D W.J.YANG	DEC-30 '08

E-YUNG ENTERPRISE CO., LTD.					
TITLE		MODULAR JACK, RJ45, WITH LED'S, DIP TYPE.			
SCALE	SIZE	DWG.NO.	REV.	SHEET	
		979805	3	1	