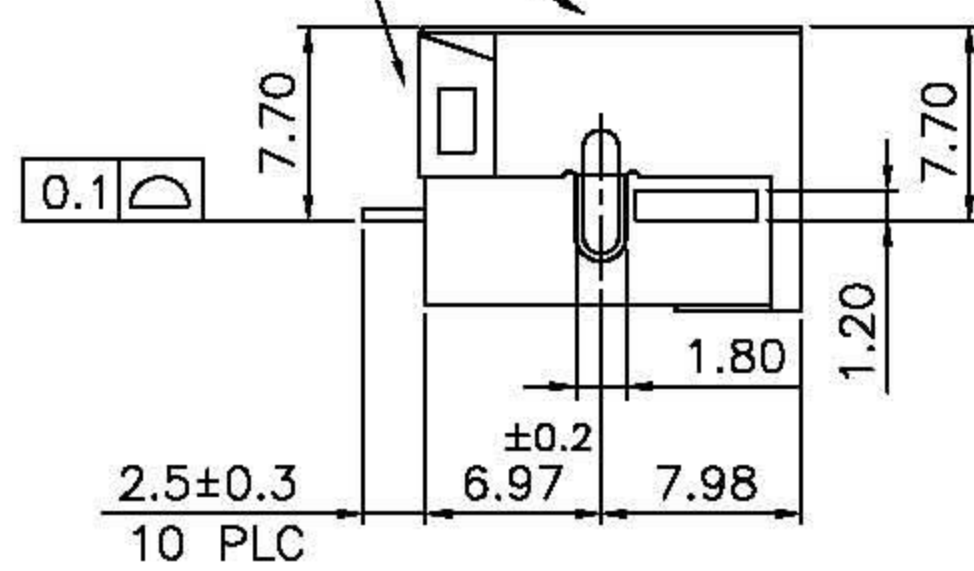
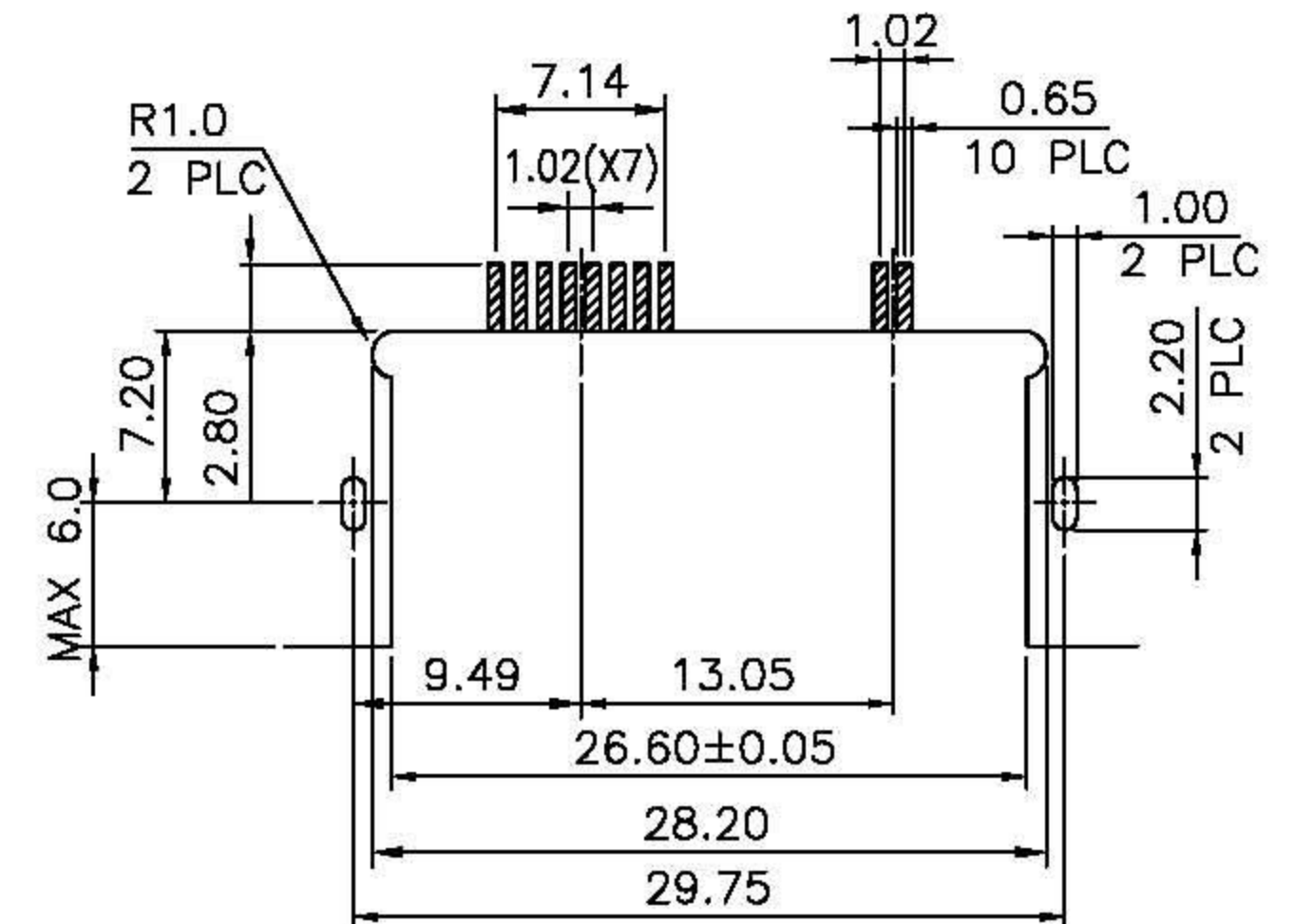
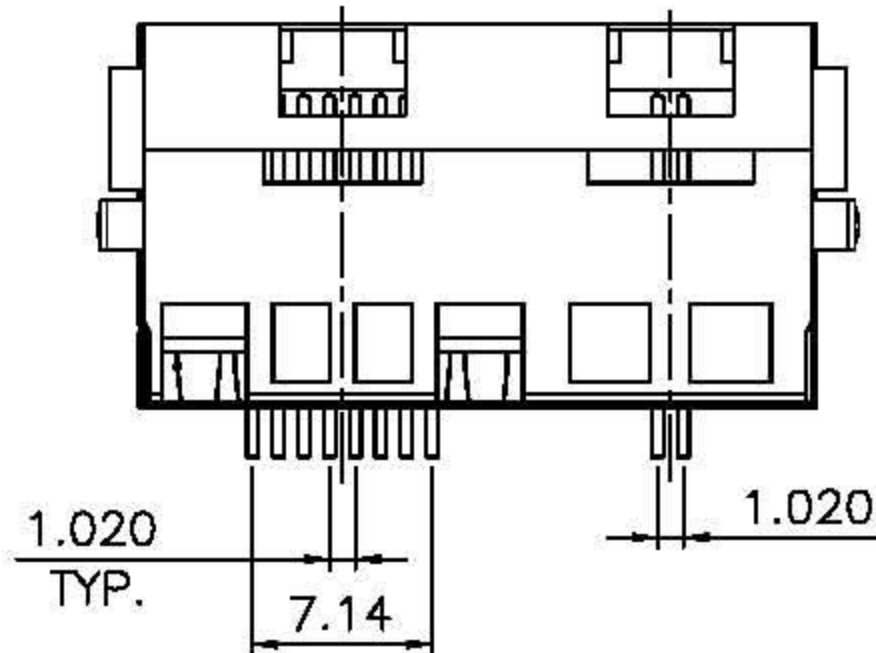
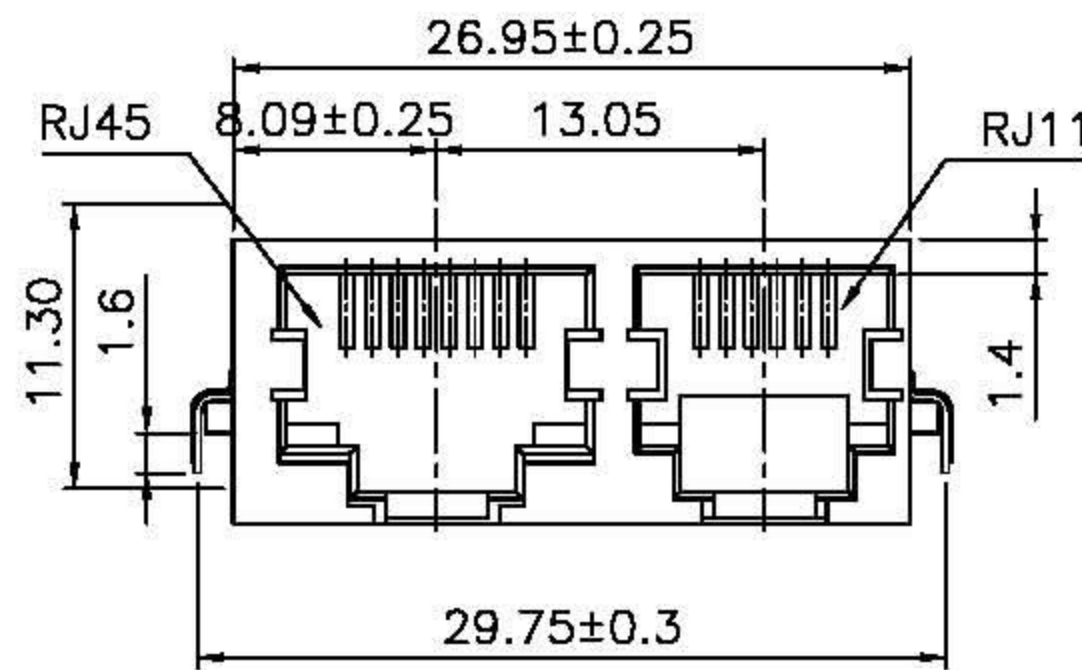
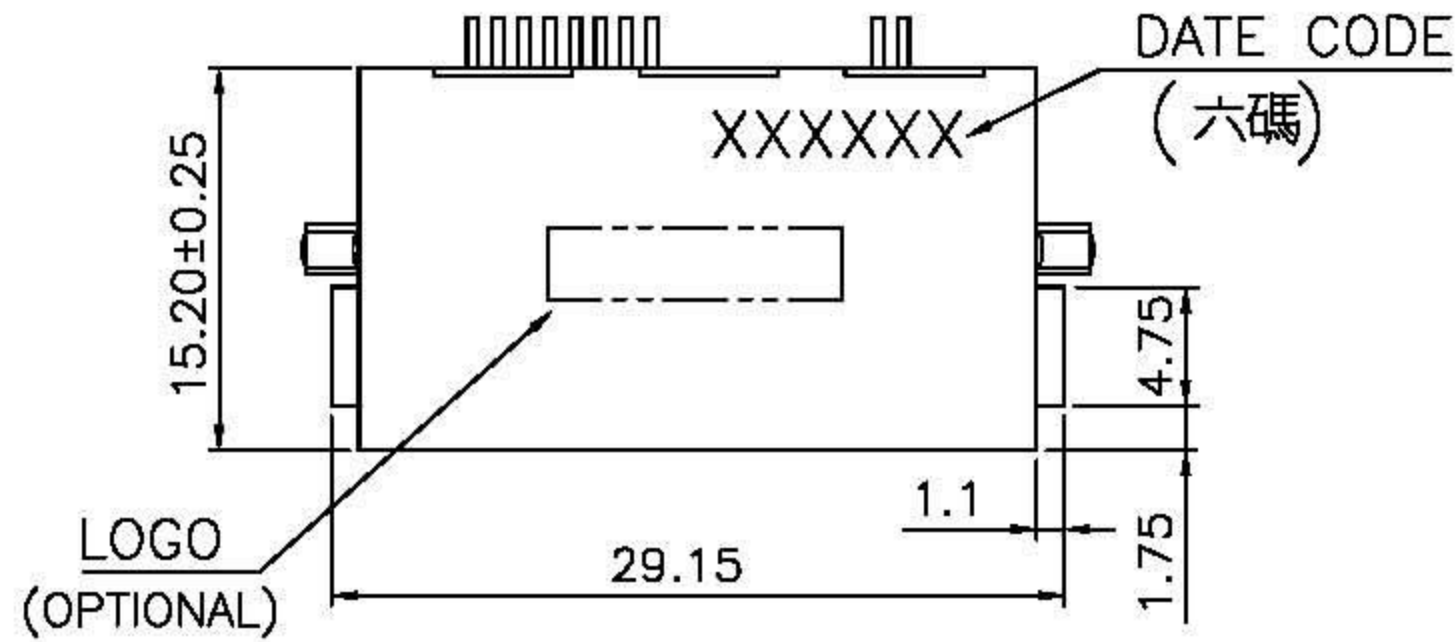


RoHS Compliance

鐵殼與塑膠體
之間必須貼膠帶
料號 361-162



DETAIL X



PCB LAYOUT
Ref.

DO NOT SCALE DRAWING	TOLERANCES UNLESS OTHERWISE NOTED	INCH	MM	DR. CIAN.CI.LUO	DATE DEC-29 '08
THIRD ANGLE PROJECTION	LINEAR MM INCH	00 ± 000 ± 0000 ±	0.0±0.25 0.00±0.20 0.000±0.10	CK'D M.CHANG	DEC-29 '08
MM INCH	ANGLE ±0° 30'	RADII	+0.40 -0.15	APP'D W.J.YANG	DEC-30 '08

E-YUNG ENTERPRISE CO., LTD.					
TITLE MODULAR JACK, RJ45/RJ11, WITHOUT LED SMT TYPE, REVERSE VERSION					
SCALE	SIZE	DWG.NO.	REV.	SHEET	
		978902	4	1	