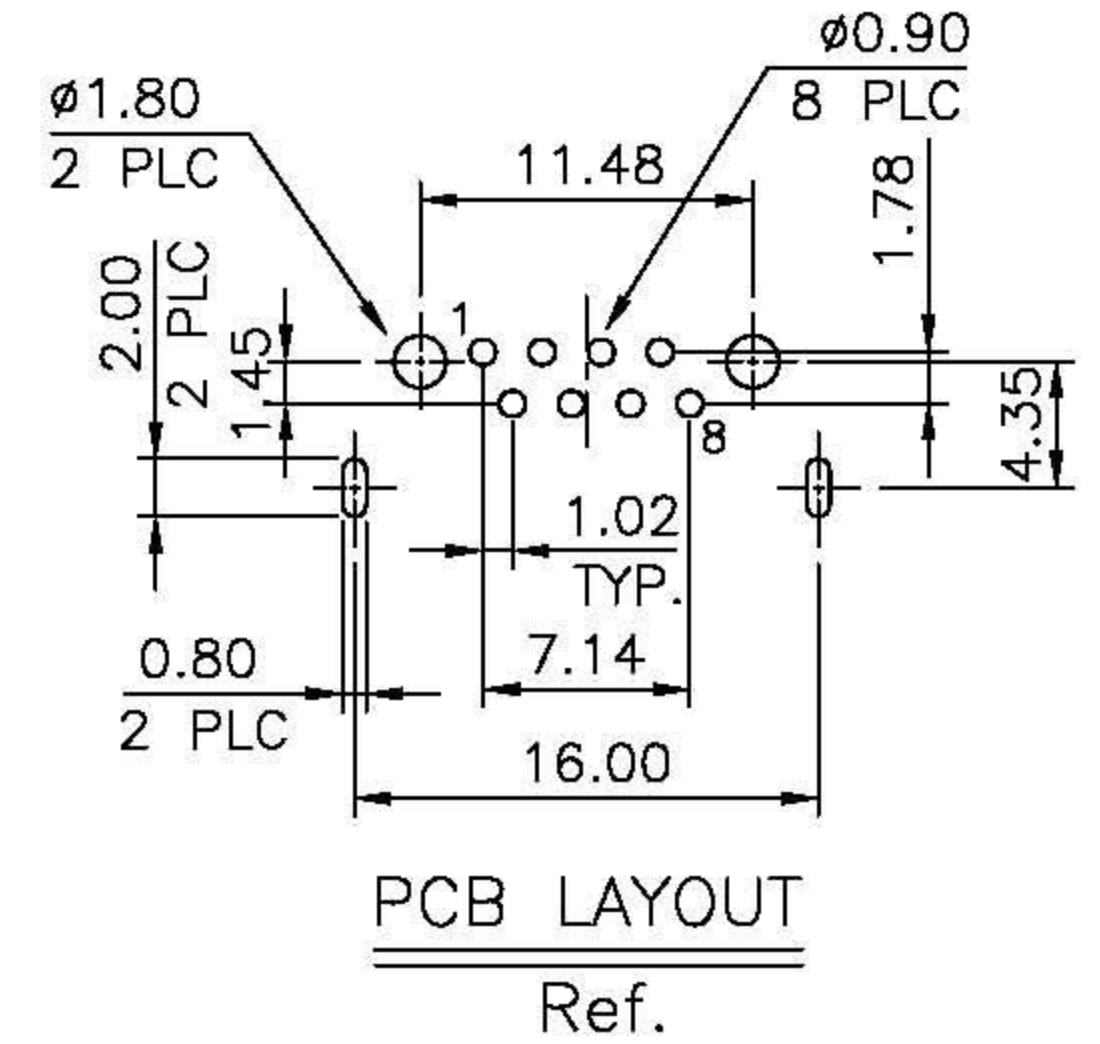
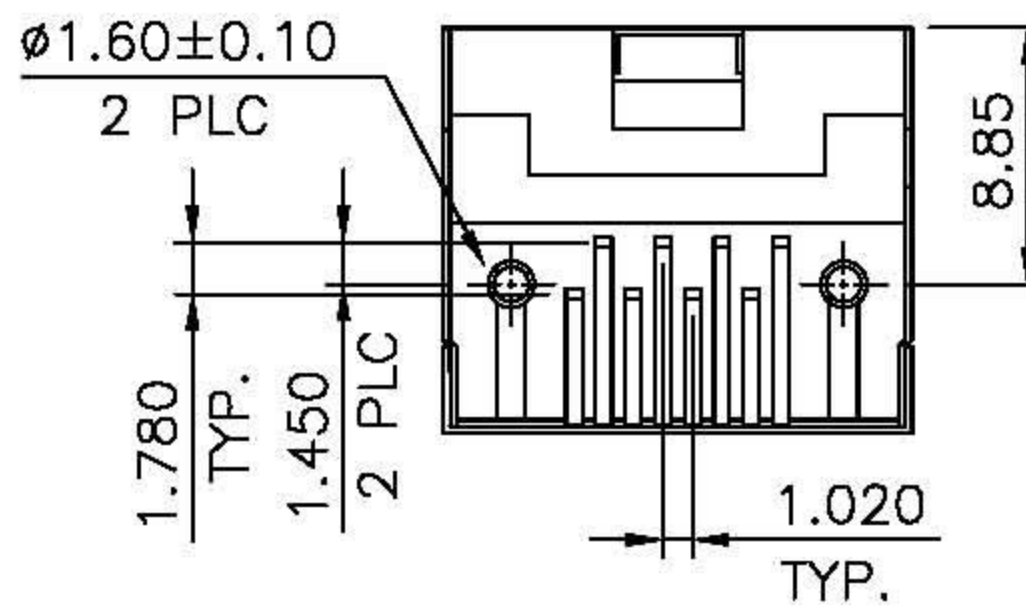
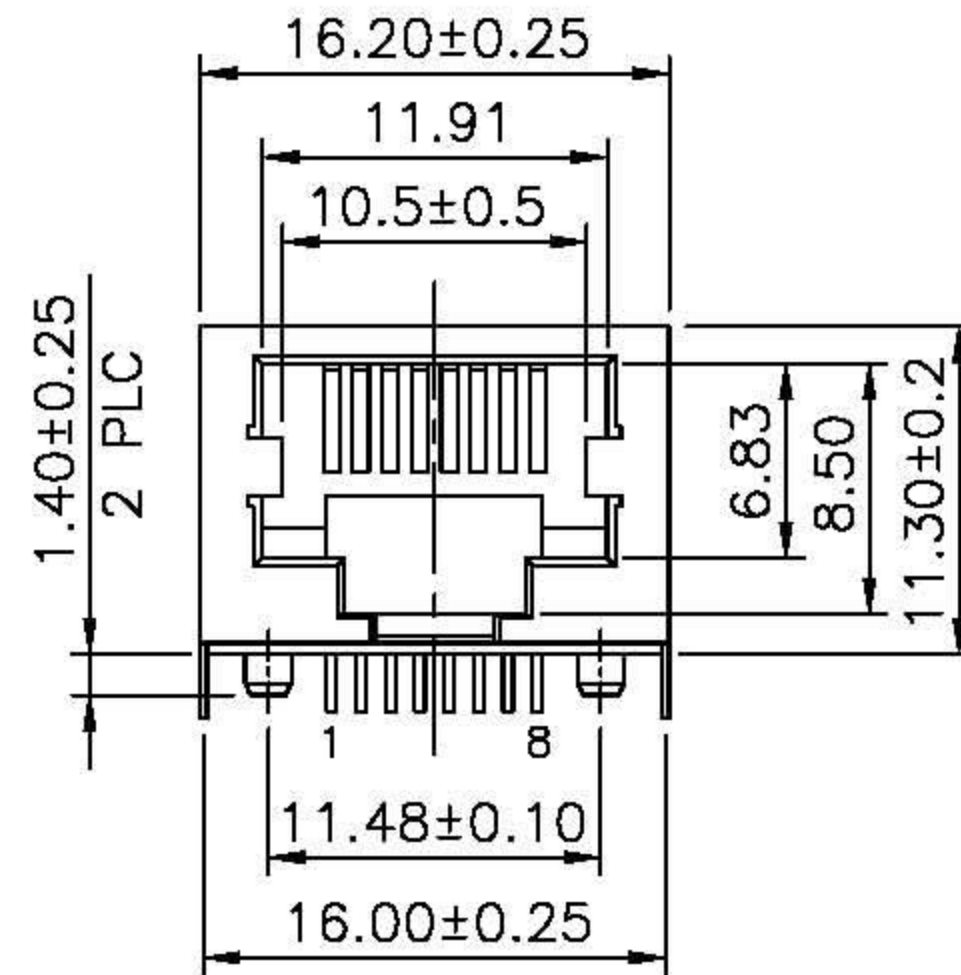
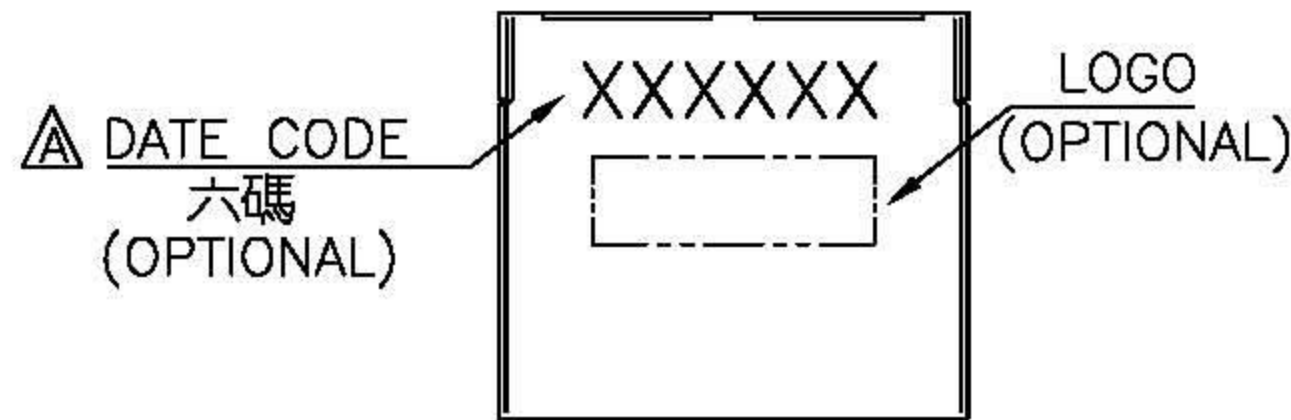
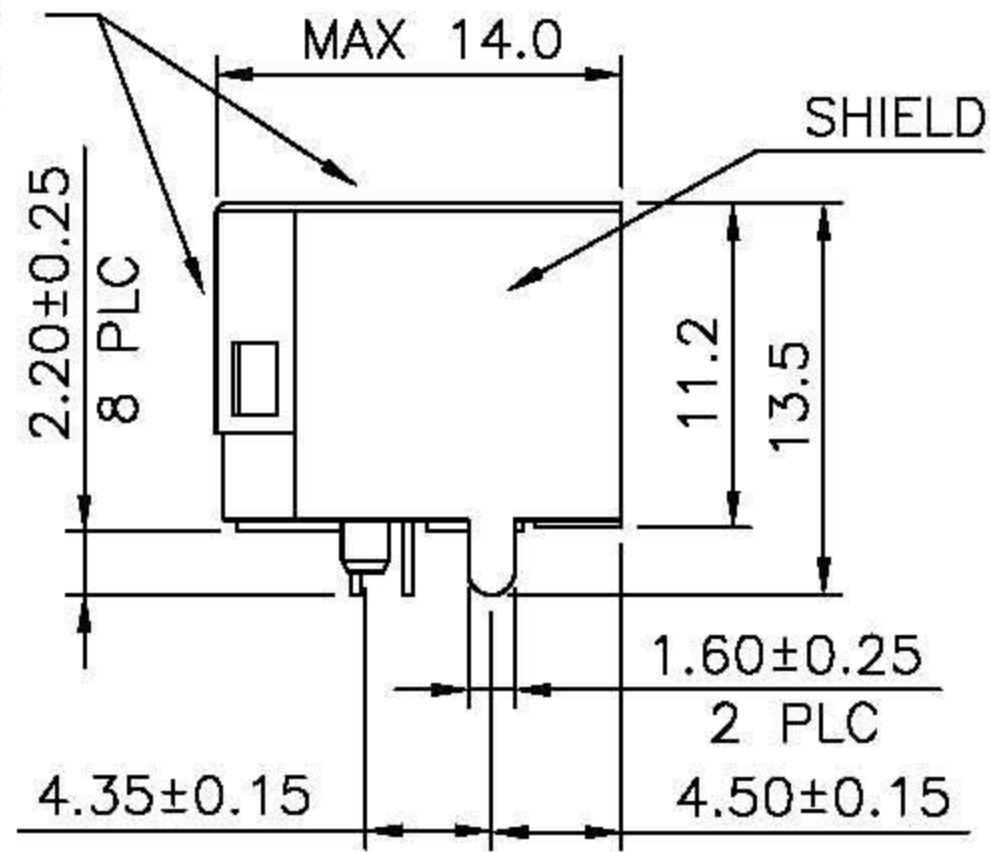


RoHS Compliance

鐵殼與塑膠體
之間必須貼膠帶
料號 361-261
(無鉛)



REVISIONS			
LTR	DESCRIPTION	DATE	APP
△	CAR ADD	01/22/'09	CHANG

DO NOT SCALE DRAWING	TOLERANCES UNLESS OTHERWISE NOTED	INCH	MM	DR. <i>CIAN.CI.LUO</i>	DATE JAN-22 '09
	LINEAR	MM INCH	00 ± 000 ± 0000 ±	CK'D <i>M.CHANG</i>	JAN-22 '09
MM INCH	ANGLE ± 0° 30'	RADII	+ 0.40 - 0.15	APP'D <i>W.J.YANG</i>	JAN-22 '09

E-YUNG ENTERPRISE CO., LTD.					
TITLE RJ45 RECEPTACLE CONNECTOR					
SCALE	SIZE	DWG.NO.	REV.	SHEET	
		978001	3	1	