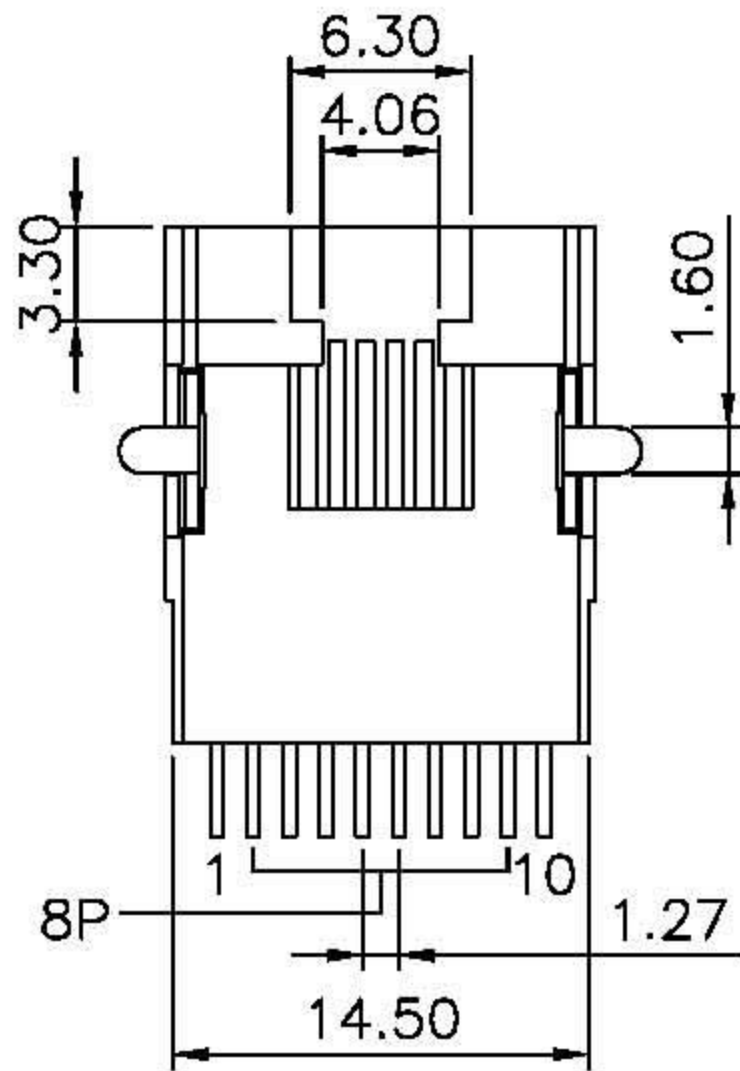
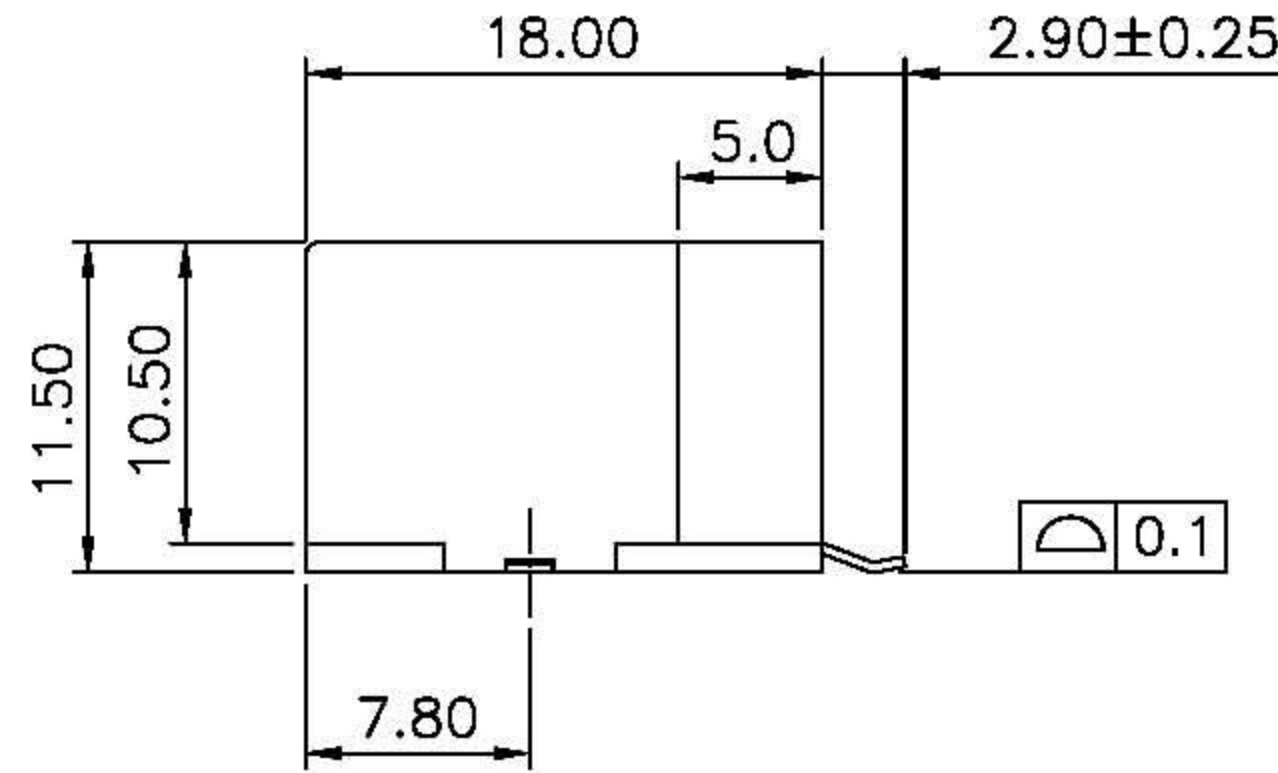
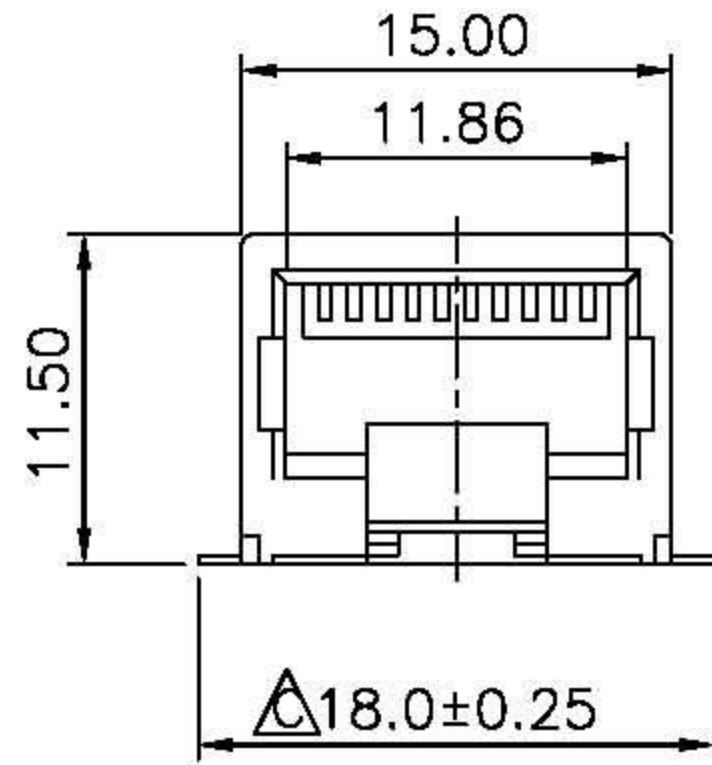
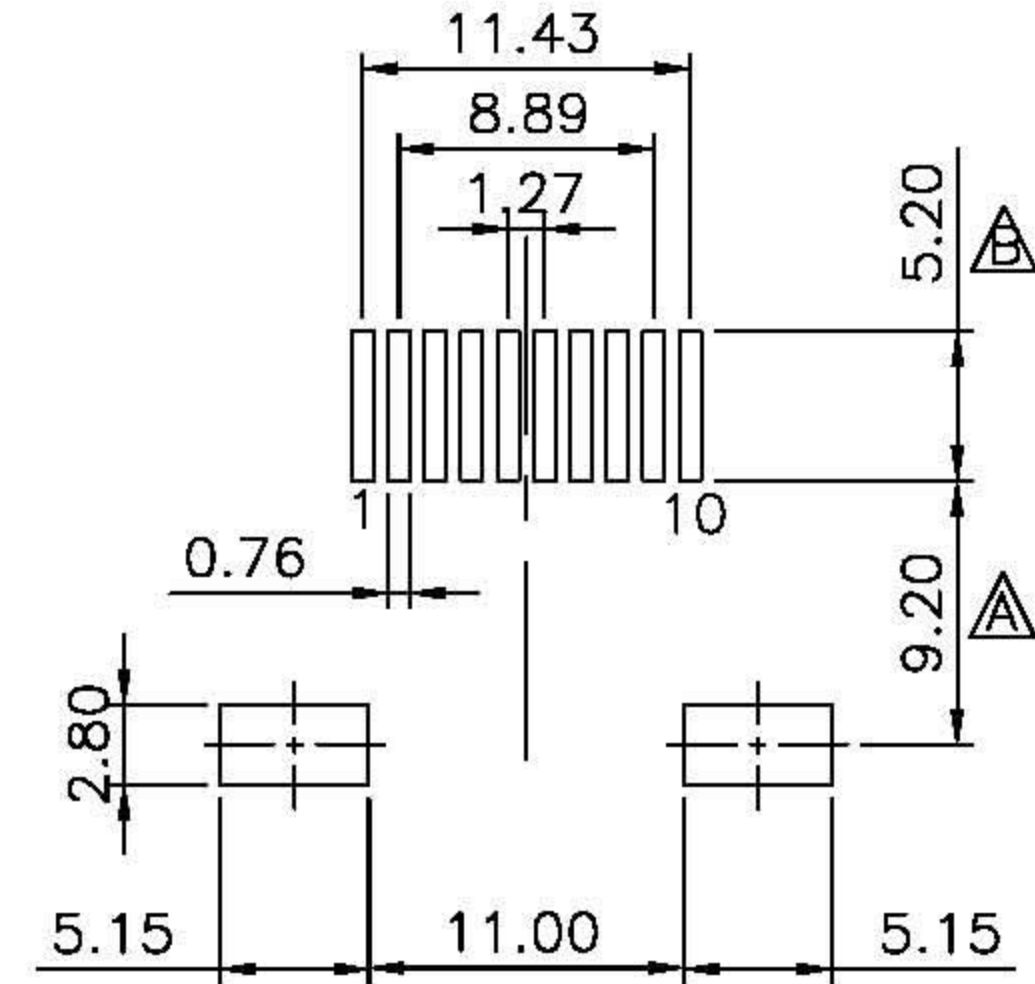


RoHS Compliance



REVISIONS			
LTR	DESCRIPTION	DATE	APP
△	7.15	02/13/'08	CHANG
△	6.35	02/13/'08	CHANG
△	ECN 18.20±0.25	04/14/'08	CHANG



PCB LAYOUT  
Ref.

E-YUNG ENTERPRISE CO., LTD.

DO NOT SCALE DRAWING	TOLERANCES UNLESS OTHERWISE NOTED	INCH	MM	DR. <i>CIAN.CI.LUO</i>	DATE DEC-29 '08
THIRD ANGLE PROJECTION	LINEAR	MM INCH	00 ± .01 000 ± .005 0000 ± .002	CK'D <i>M.CHANG</i>	DEC-29 '08
MM INCH	ANGLE ± 0° 30'	RADII	+ 0.40 - 0.15	APP'D <i>W.J.YANG</i>	DEC-29 '08

TITLE		10POSITION, SMT TYPE SIDE ENTRY PCB JACK	
SCALE	SIZE	DWG.NO.	REV. SHEET
		977803	7 1