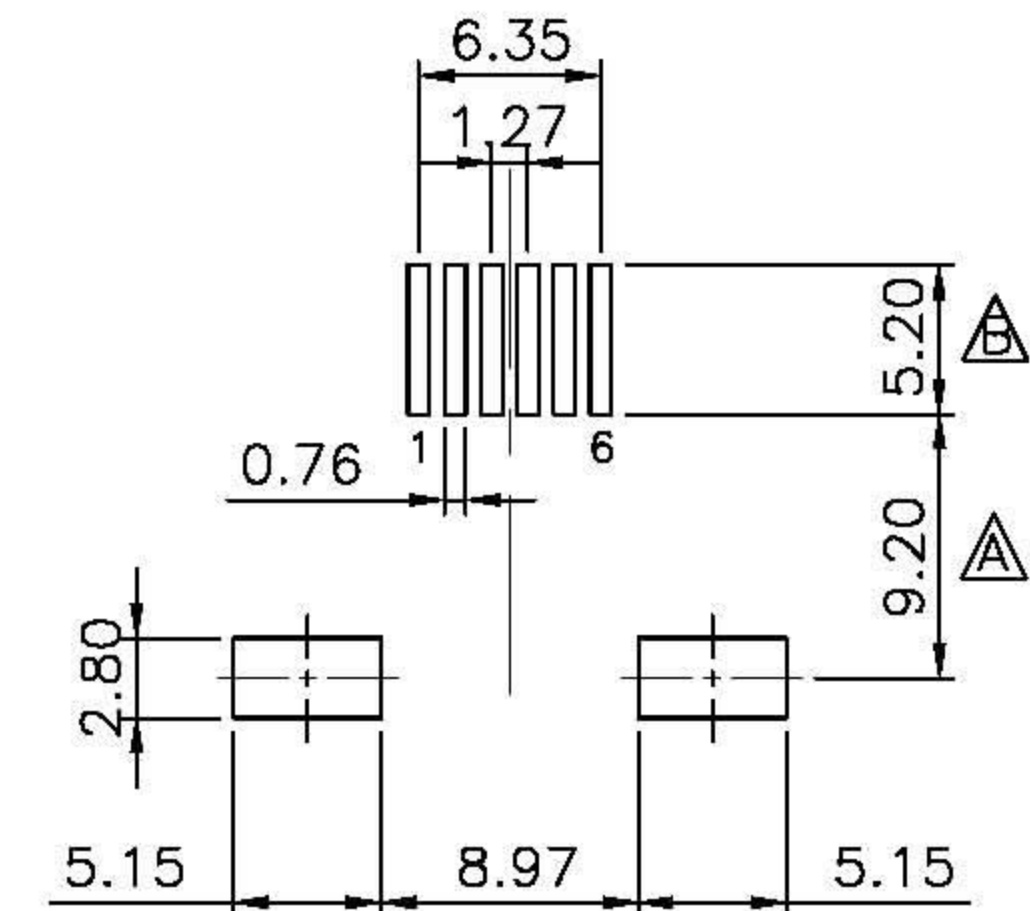
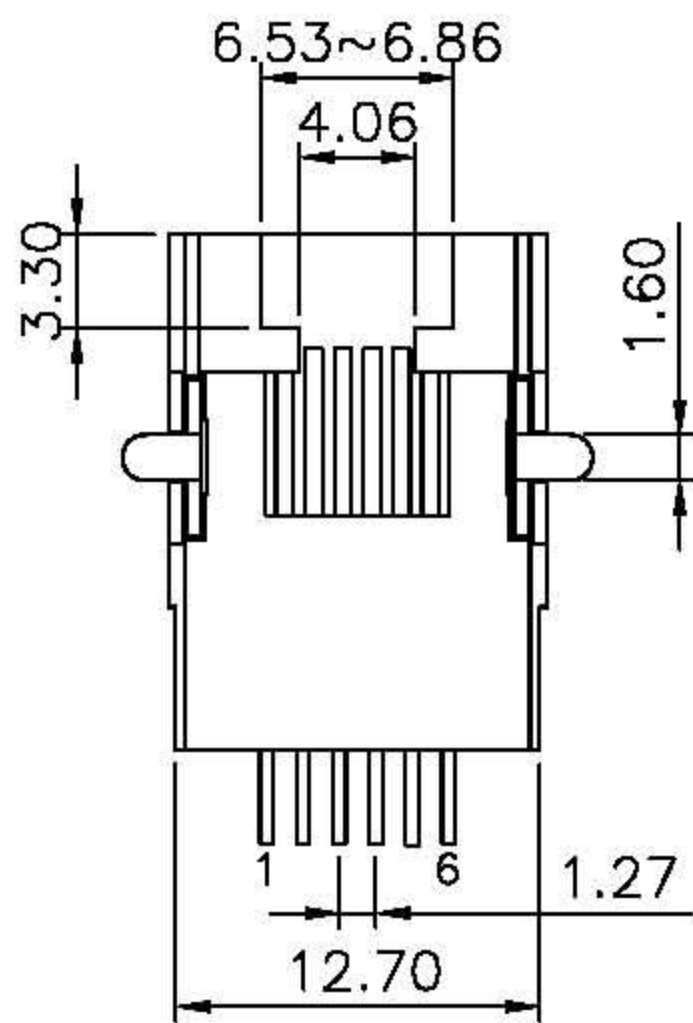
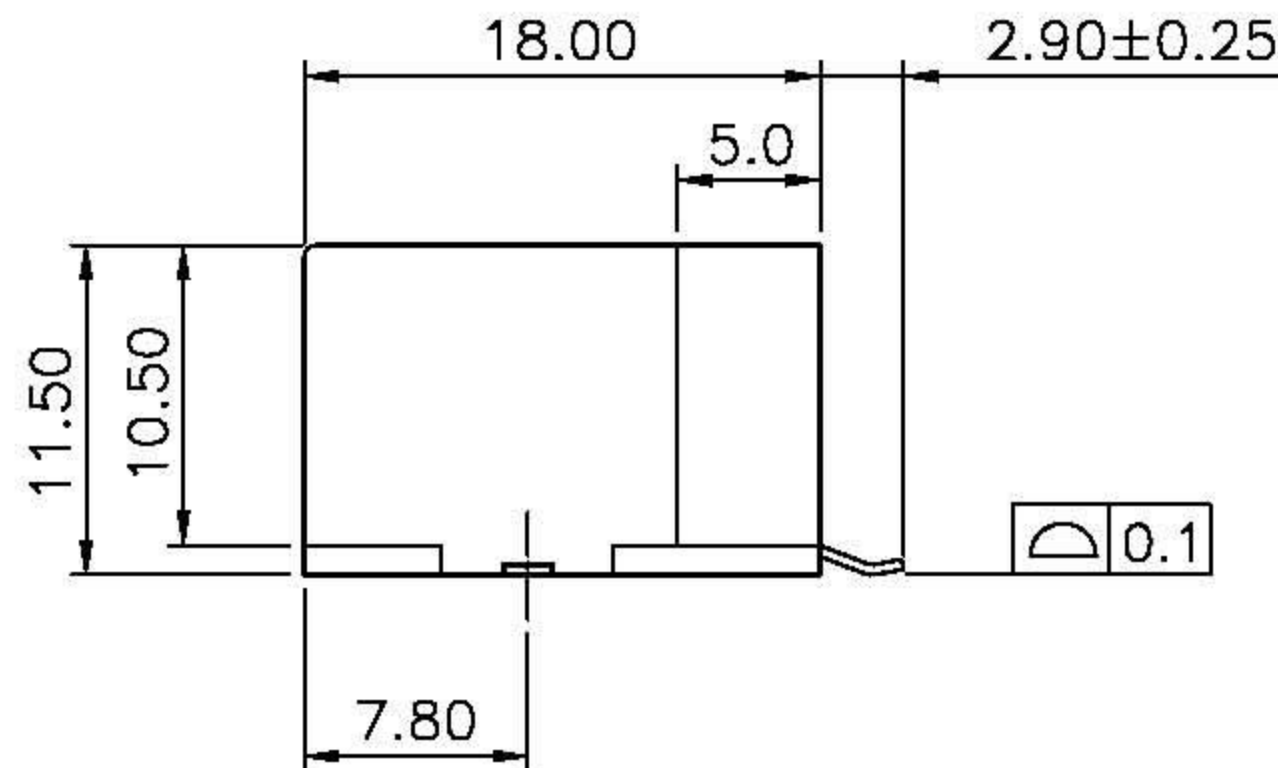
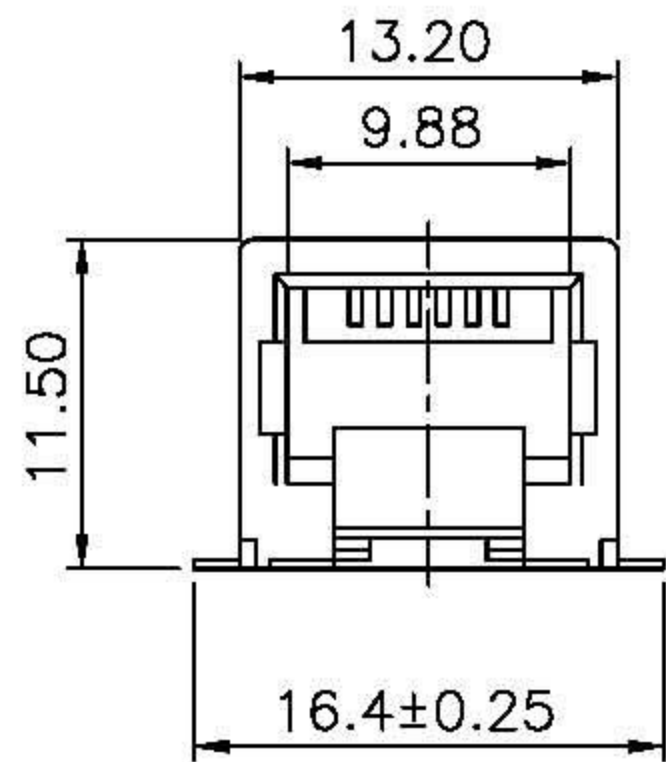


RoHS Compliance



PCB LAYOUT
Ref.

REVISIONS			
LTR	DESCRIPTION	DATE	APP
△	7.15	02/13/'08	CHANG
△	6.35	02/13/'08	CHANG

E-YUNG ENTERPRISE CO., LTD.

DO NOT SCALE
DRAWING

TOLERANCES UNLESS
OTHERWISE NOTED

INCH

MM

DR.
CIAN.CI.LUO

DATE
DEC-29 '08

THIRD ANGLE PROJECTION

LINEAR $\frac{\text{MM}}{\text{INCH}}$

00 ± .01
000 ± .005
0000 ± .002

0.0 ± 0.25
0.00 ± 0.13
0.000 ± 0.05

CK'D
M.CHANG

DATE
DEC-29 '08

TITLE
RJ11, SMT TYPE
SIDE ENTRY PCB JACK

MM
INCH

ANGLE ± 0° 30'

RADII

+ 0.40
- 0.15

APP'D
W.J.YANG

DATE
DEC-29 '08

SCALE SIZE DWG.NO.
977802

REV. SHEET
8 1