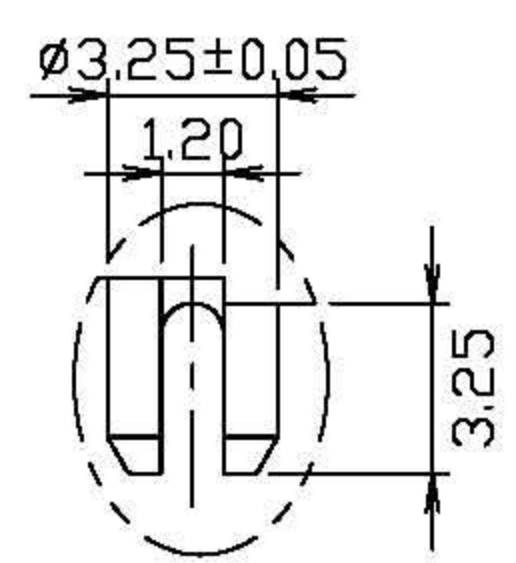
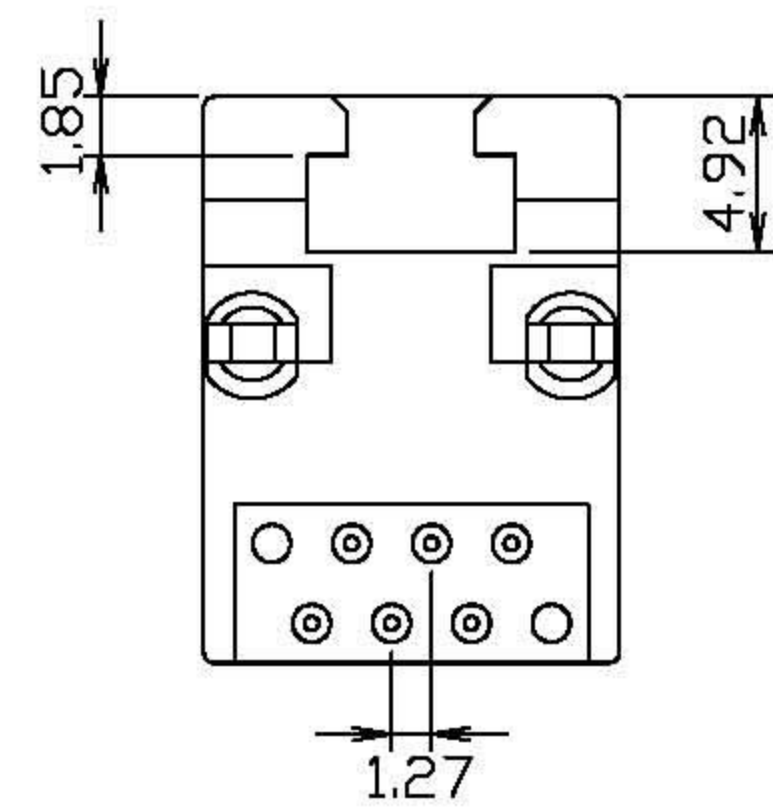
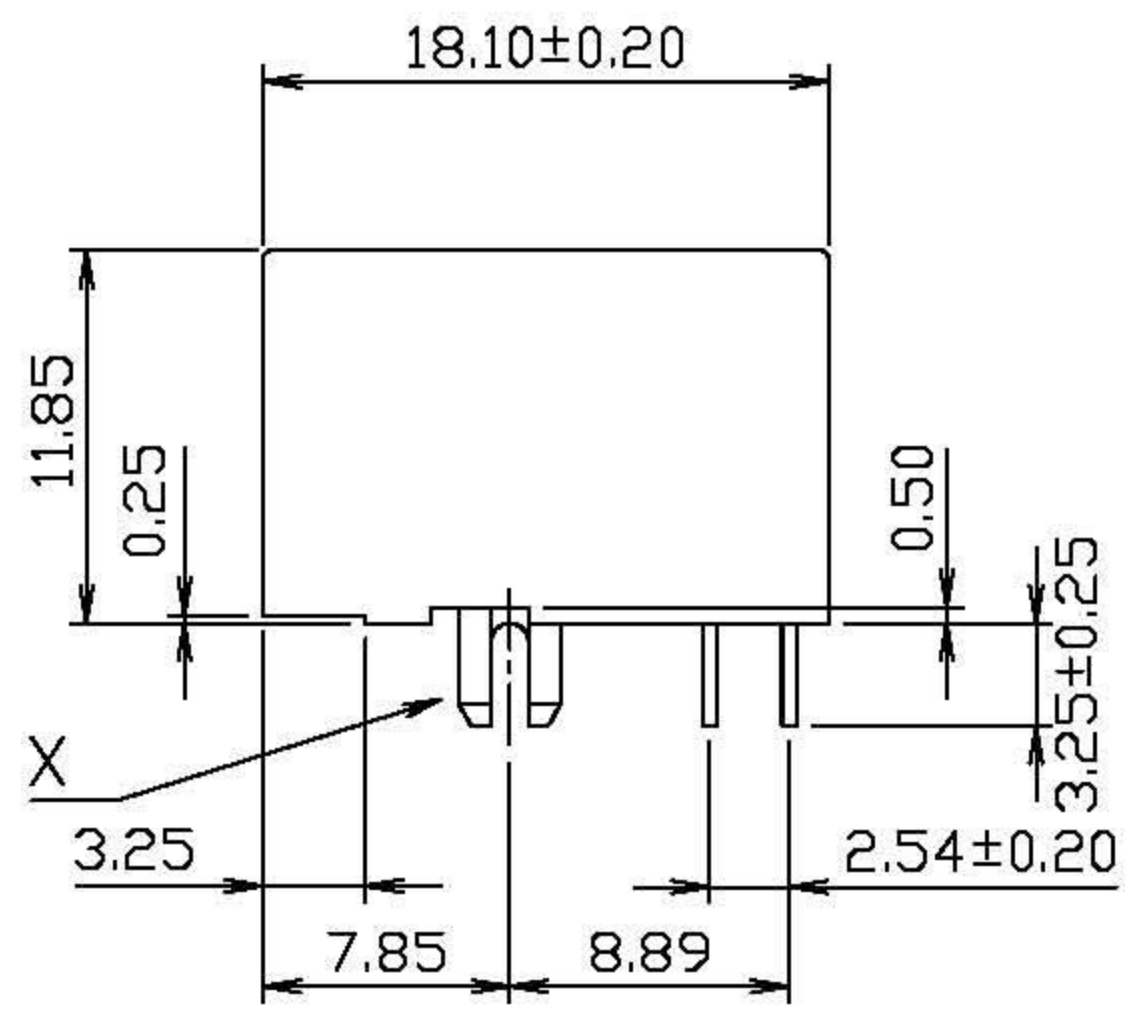
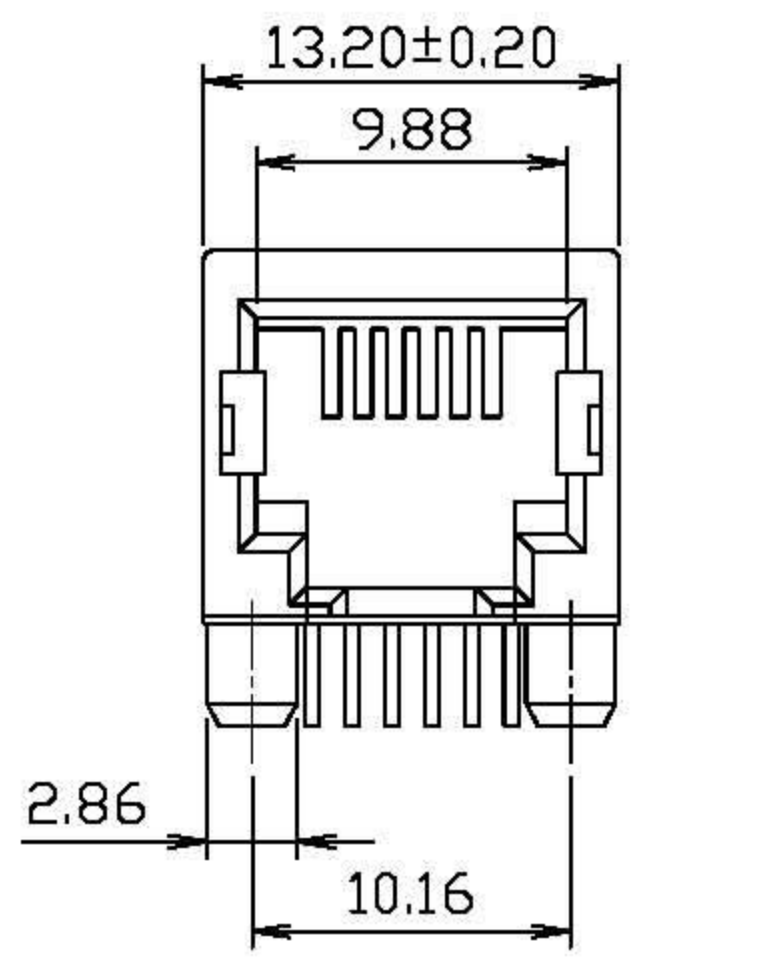
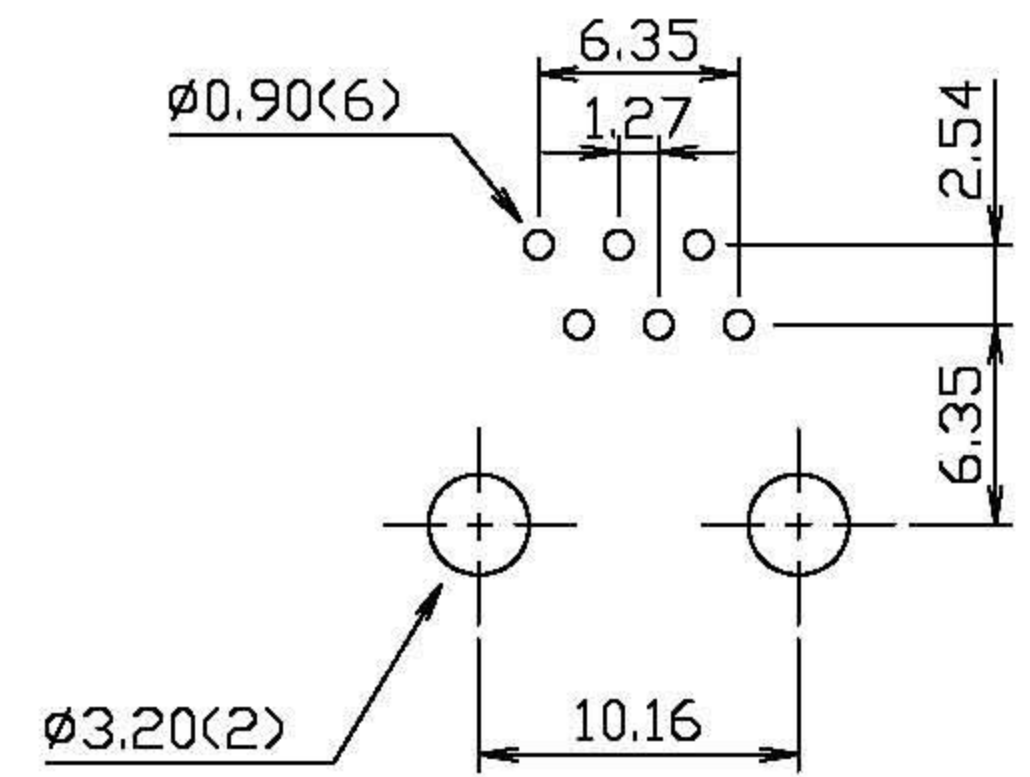


PRODUCT NO.	HOUSING P/N	SUB-ASS'Y P/N	LOGO	REMARK
9767-6X1X	76124-001	5046-6X1X		



DETAIL X



PC Board Layout

DO NOT SCALE DRAWING	TOLERANCES UNLESS OTHERWISE NOTED	INCH	MM	DR. <i>M.L.HUANG</i>	DATE JUL-23 '02
THIRD ANGLE PROJECTION	LINEAR	MM INCH	00 ± .01 000 ± .005 0000 ± .002	CK'D <i>M.CHANG</i>	JUL-23 '02
MM INCH	ANGLE ± 0° 30'	RADII	+ 0.40 - 0.15	APP'D <i>W.J.YANG</i>	OCT-02 '02

E-YUNG ENTERPRISE CO., LTD.				
TITLE		6POSITION SIDE ENTRY VERY LOW PROFILE, PCB JACK		
SCALE	SIZE	DWG.NO.	REV.	SHEET
		976701	2	1