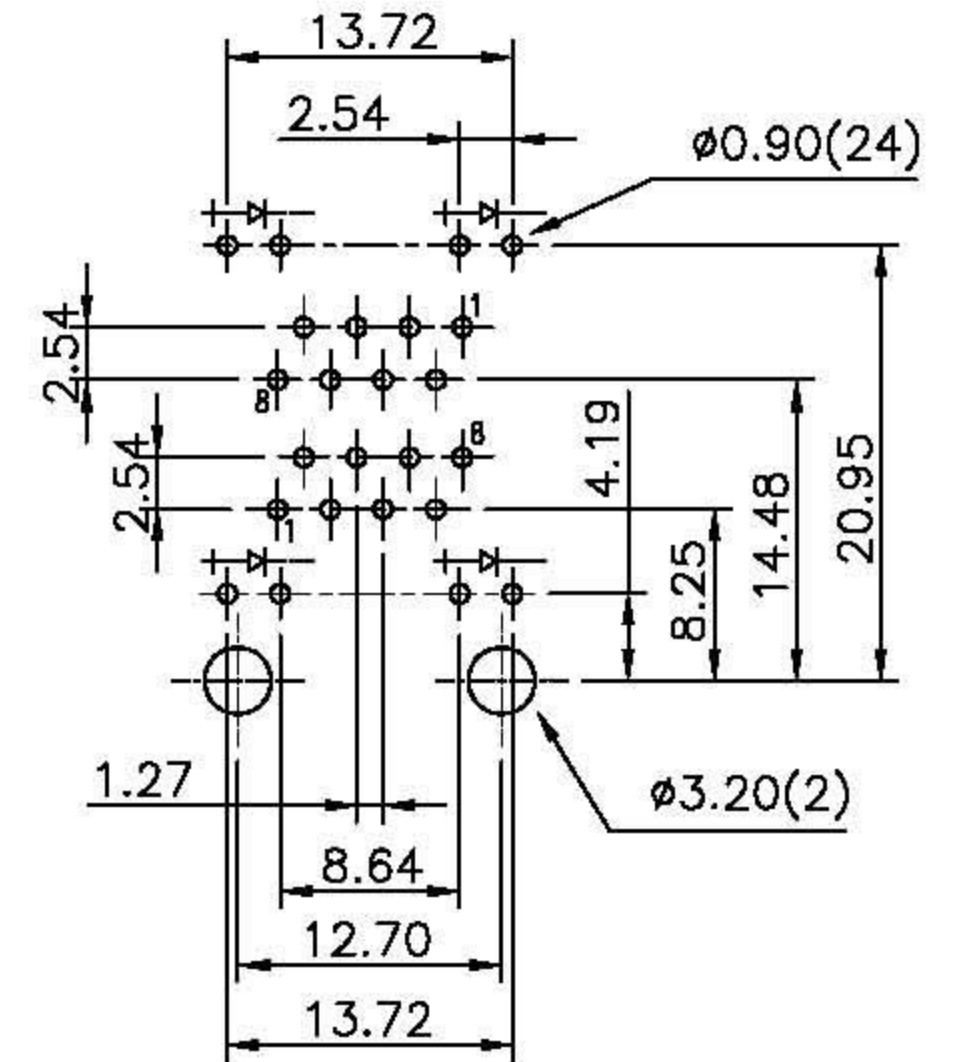
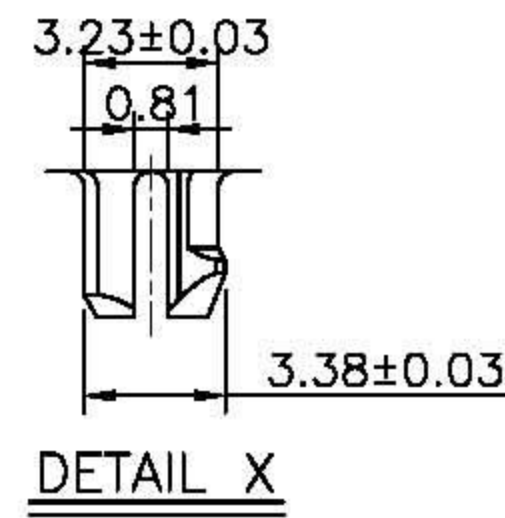
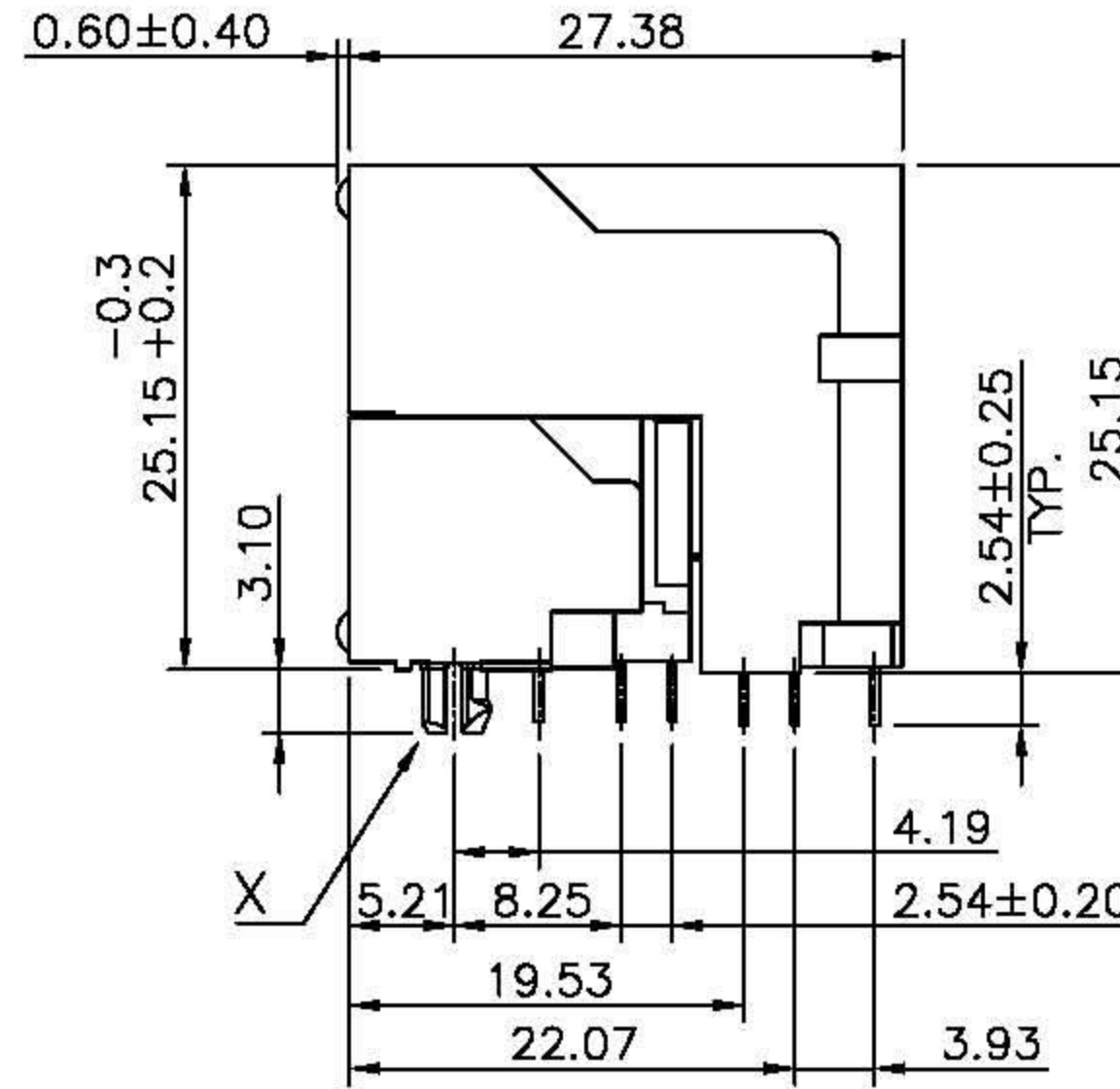
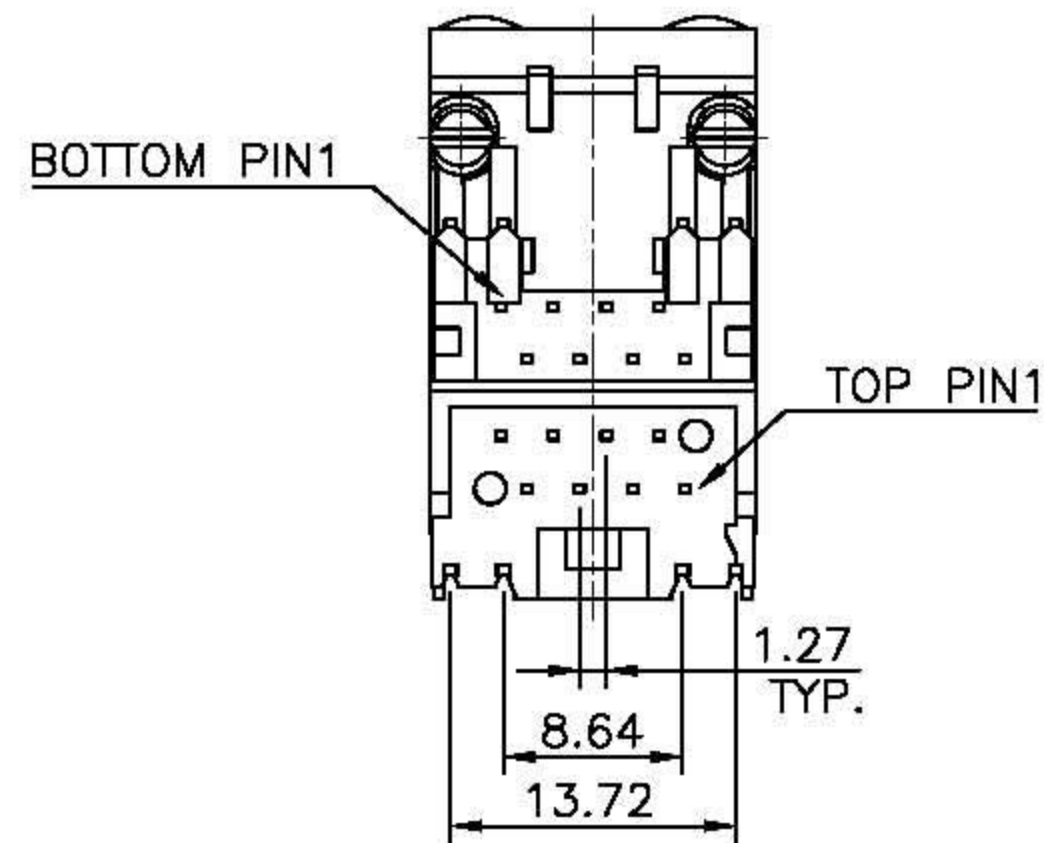
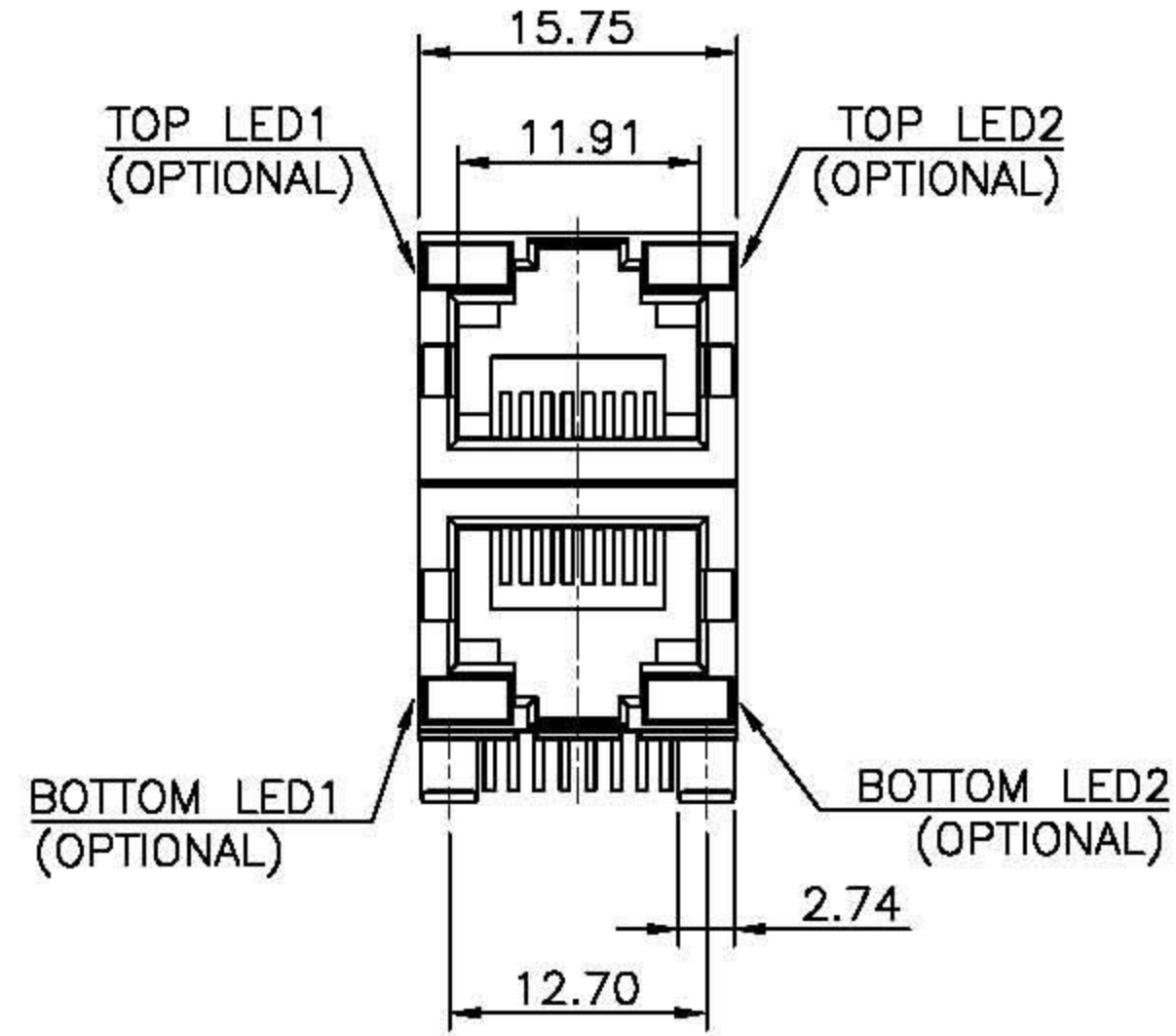


RoHS Compliance



DO NOT SCALE DRAWING	TOLERANCES UNLESS OTHERWISE NOTED	INCH	MM	DR. <i>M.L.HUANG</i>	DATE JUN-19 '08
THIRD ANGLE PROJECTION	LINEAR	MM INCH	00 ± 000 ± 0000 ±	0.0 ± 0.25 0.00 ± 0.20 0.000 ± 0.10	CK'D <i>M.CHANG</i>
MM INCH	ANGLE ± 0° 30'	RADII	+ 0.40 - 0.15	APP'D <i>W.J.YANG</i>	JUN-20 '08

E-YUNG ENTERPRISE CO., LTD.					
TITLE 2X1 STACKABLE MODULAR JACK WITH LED'S, WITHOUT SHIELDED					
SCALE	SIZE	DWG.NO.	REV.	SHEET	
		976617	3	1	