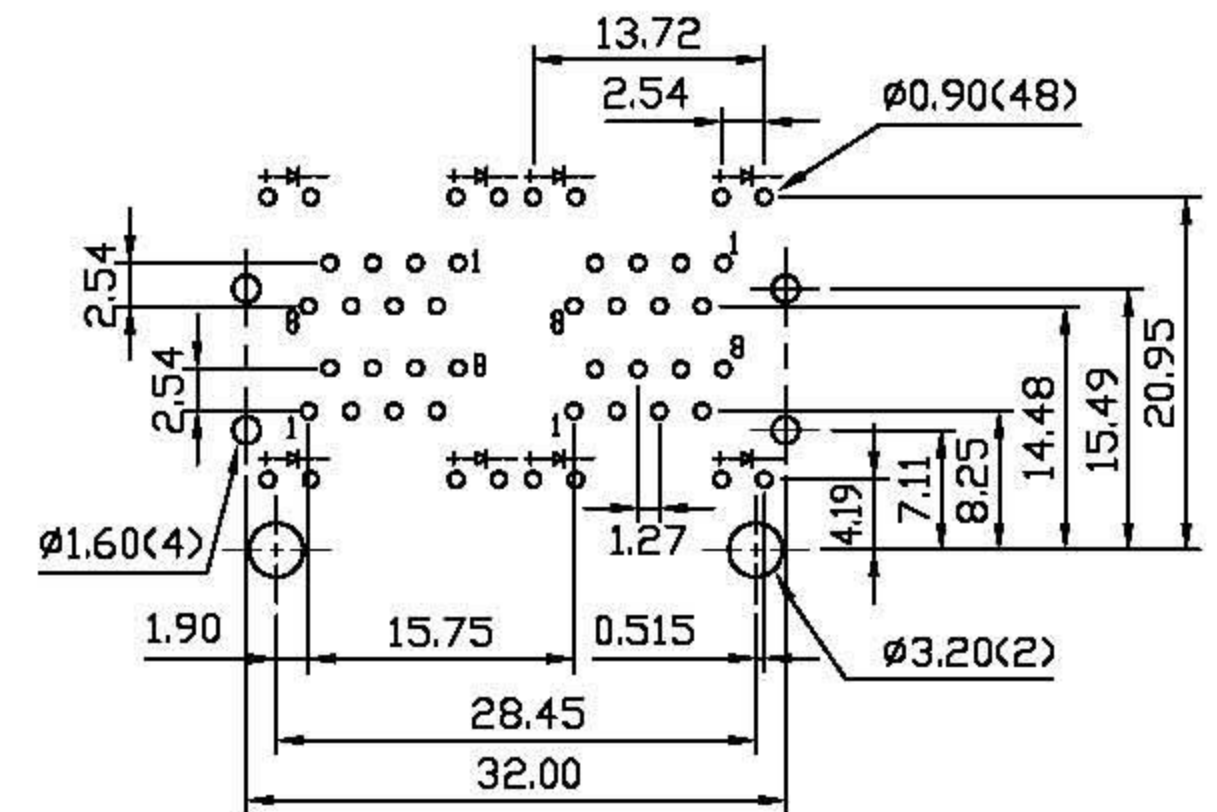
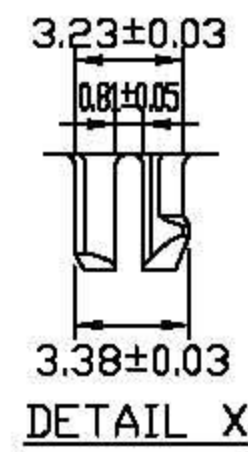
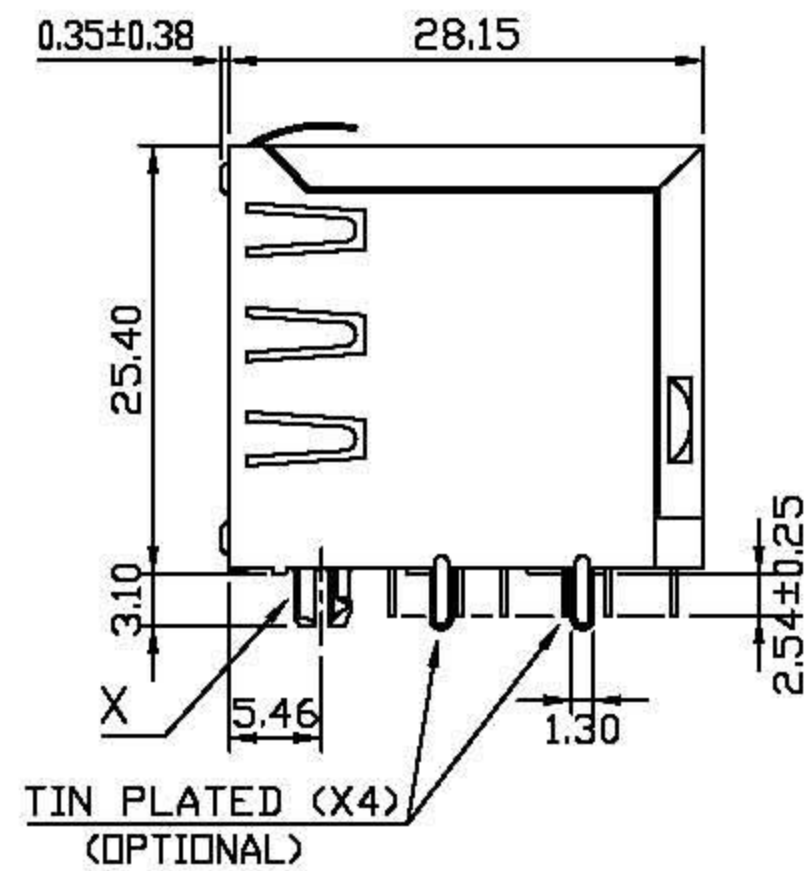
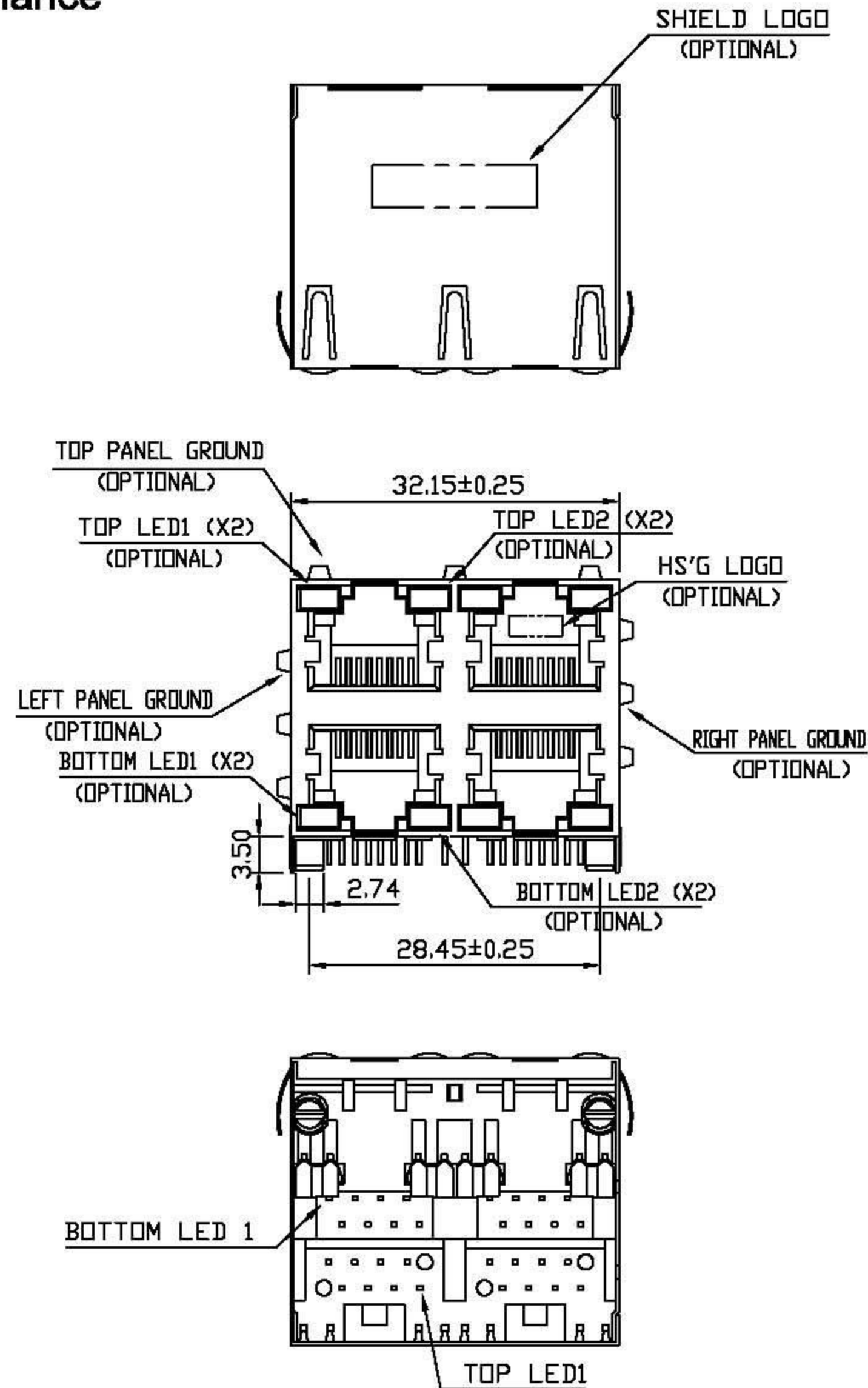


RoHS Compliance



DO NOT SCALE DRAWING	TOLERANCES UNLESS OTHERWISE NOTED	INCH	MM	DR. <i>M.L.HUANG</i>	DATE DEC-04 '09	E-YUNG ENTERPRISE CO., LTD.				
THIRD ANGLE PROJECTION	LINEAR	MM INCH	00 ± .01 000 ± .005 0000 ± .002	0.0 ± 0.25 0.00 ± 0.13 0.000 ± 0.05	CK'D <i>M.CHANG</i>			DATE DEC-04 '09	TITLE 2X2 STACKABLE MODULAR JACK RJ45, WITH LED'S AND SHIELD	
MM INCH	ANGLE ± 0° 30'	RADII	+ 0.40 - 0.15	APP'D <i>W.J.YANG</i>	DATE DEC-04 '09	SCALE 1	SIZE 976614	DWG.NO. 6	REV. 1	SHEET 1