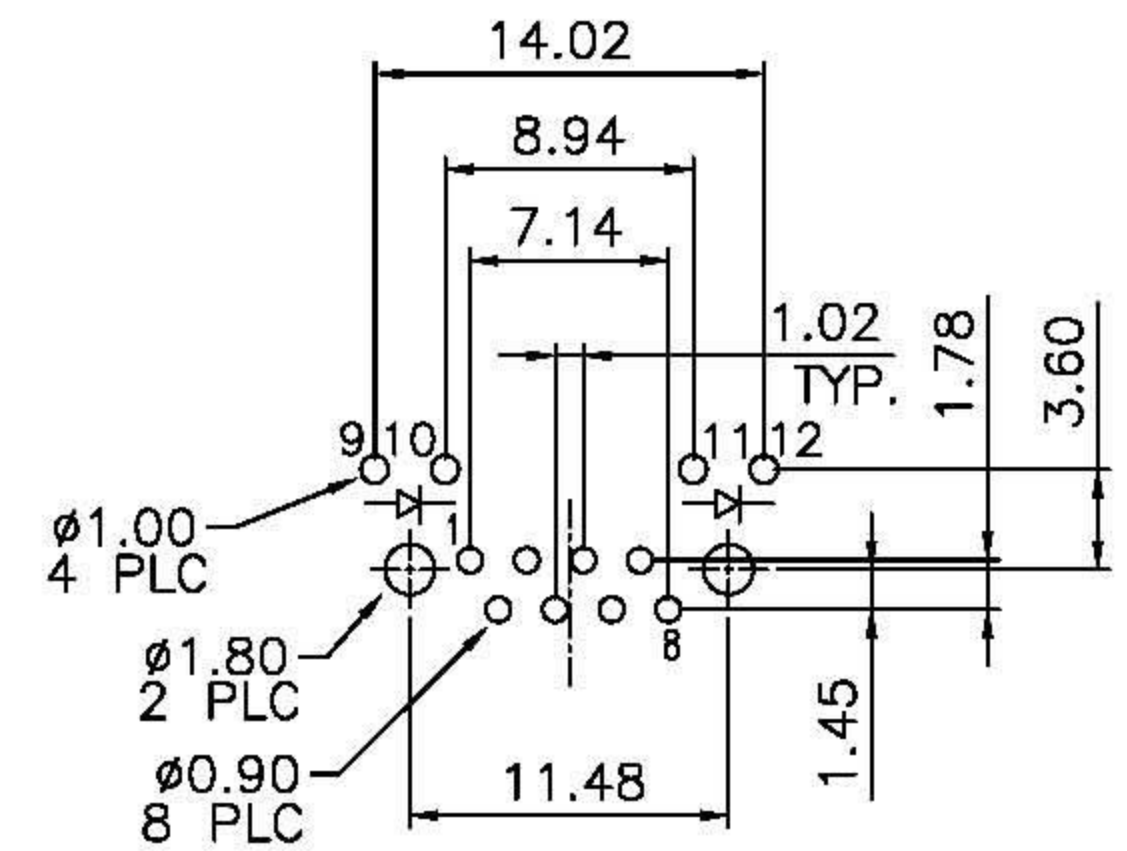
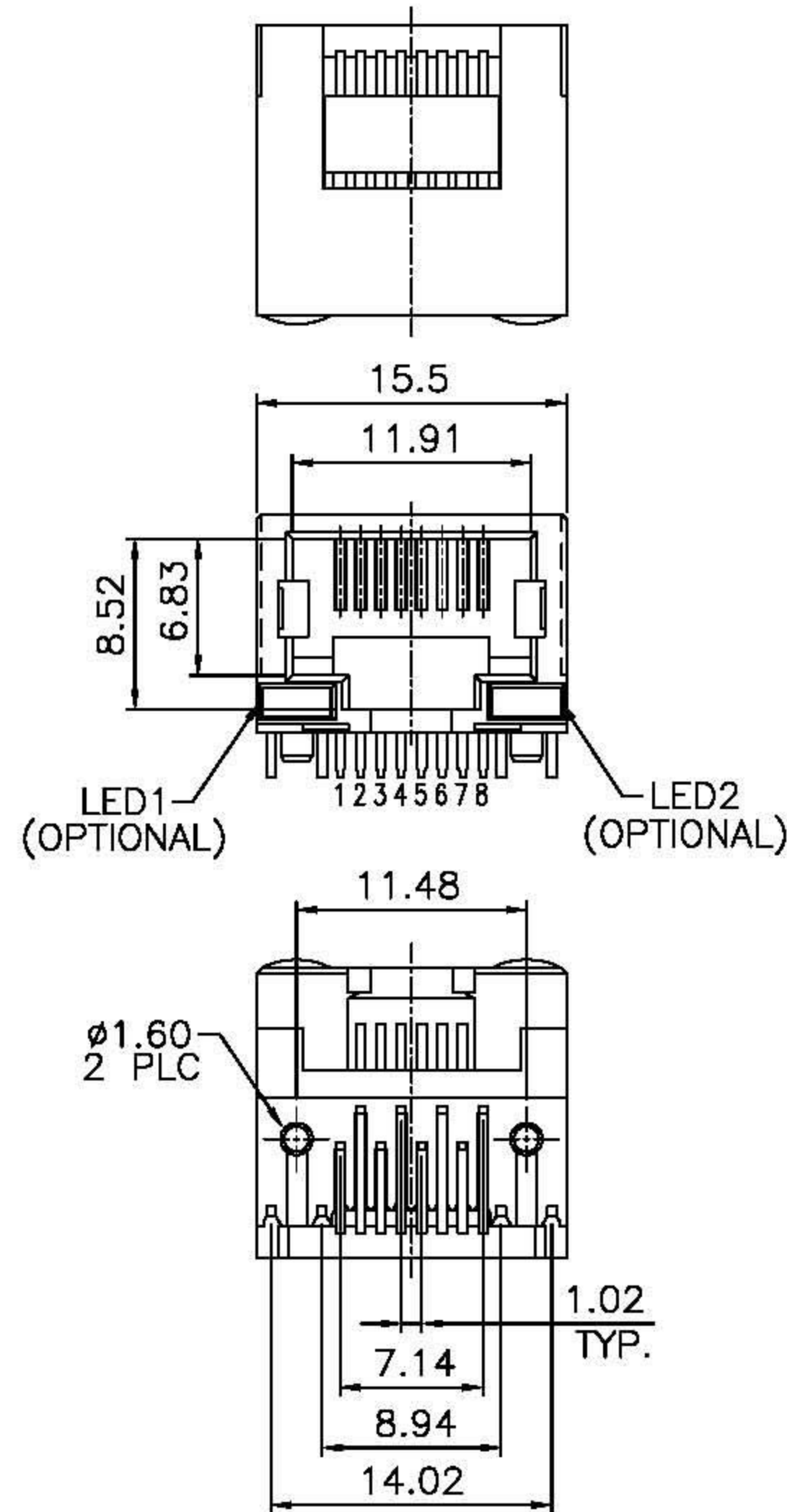
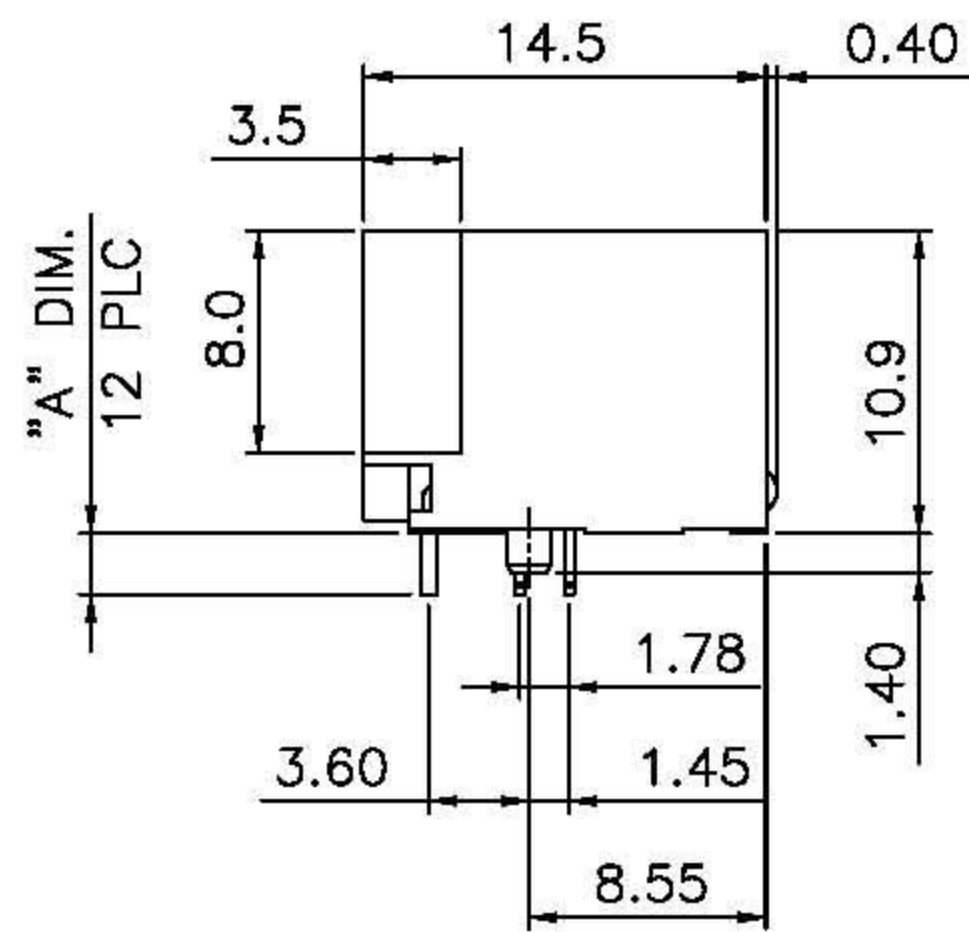
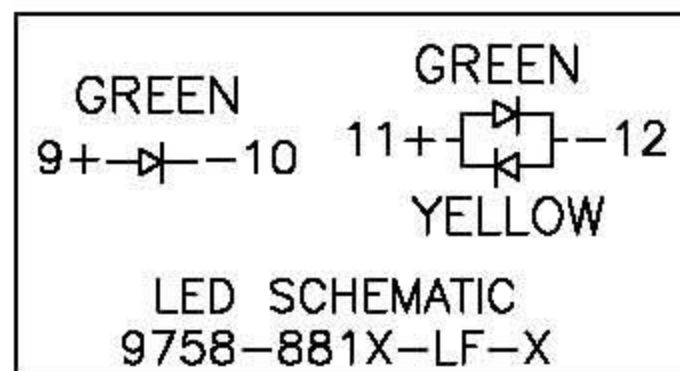


RoHS Compliance



PCB LAYOUT
Ref.



DO NOT SCALE DRAWING	TOLERANCES UNLESS OTHERWISE NOTED	INCH	MM	DR. <i>CIAN.CI.LUO</i>	DATE MAR-08 '10
THIRD ANGLE PROJECTION	LINEAR	MM INCH	00 ± 000 ± 0000 ±	0.0 ± 0.25 0.00 ± 0.20 0.000 ± 0.10	CK'D <i>M.CHANG</i> MAR-08 '10
MM INCH	ANGLE ± 0° 30'	RADII	+ 0.40 - 0.15	APP'D <i>W.J.YANG</i> MAR-09 '10	

E-YUNG ENTERPRISE CO., LTD.					
TITLE RJ45 RECEPTACLE CONNECTOR					
SCALE	SIZE	DWG.NO.	REV.	SHEET	
		975810	2	1	