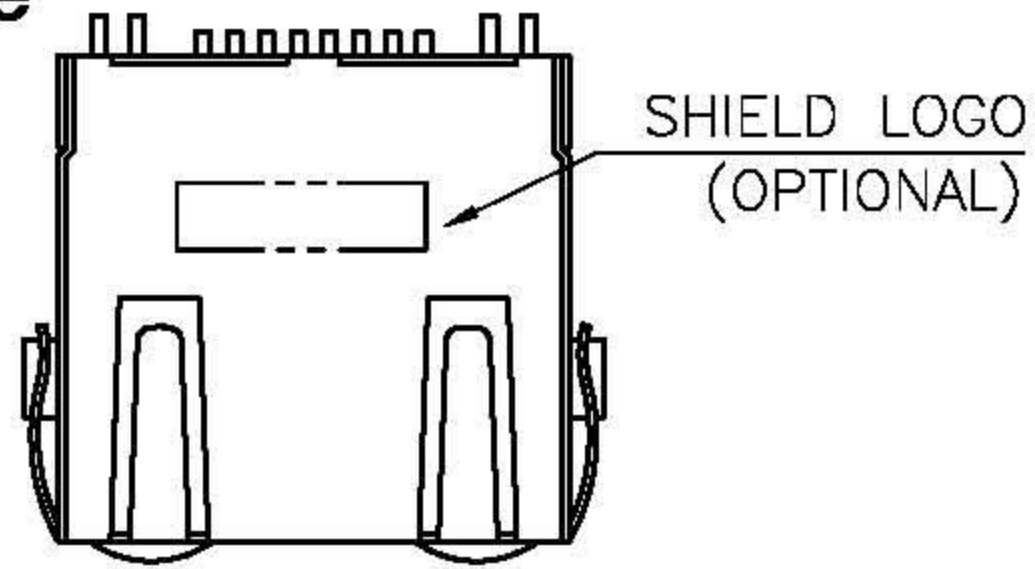
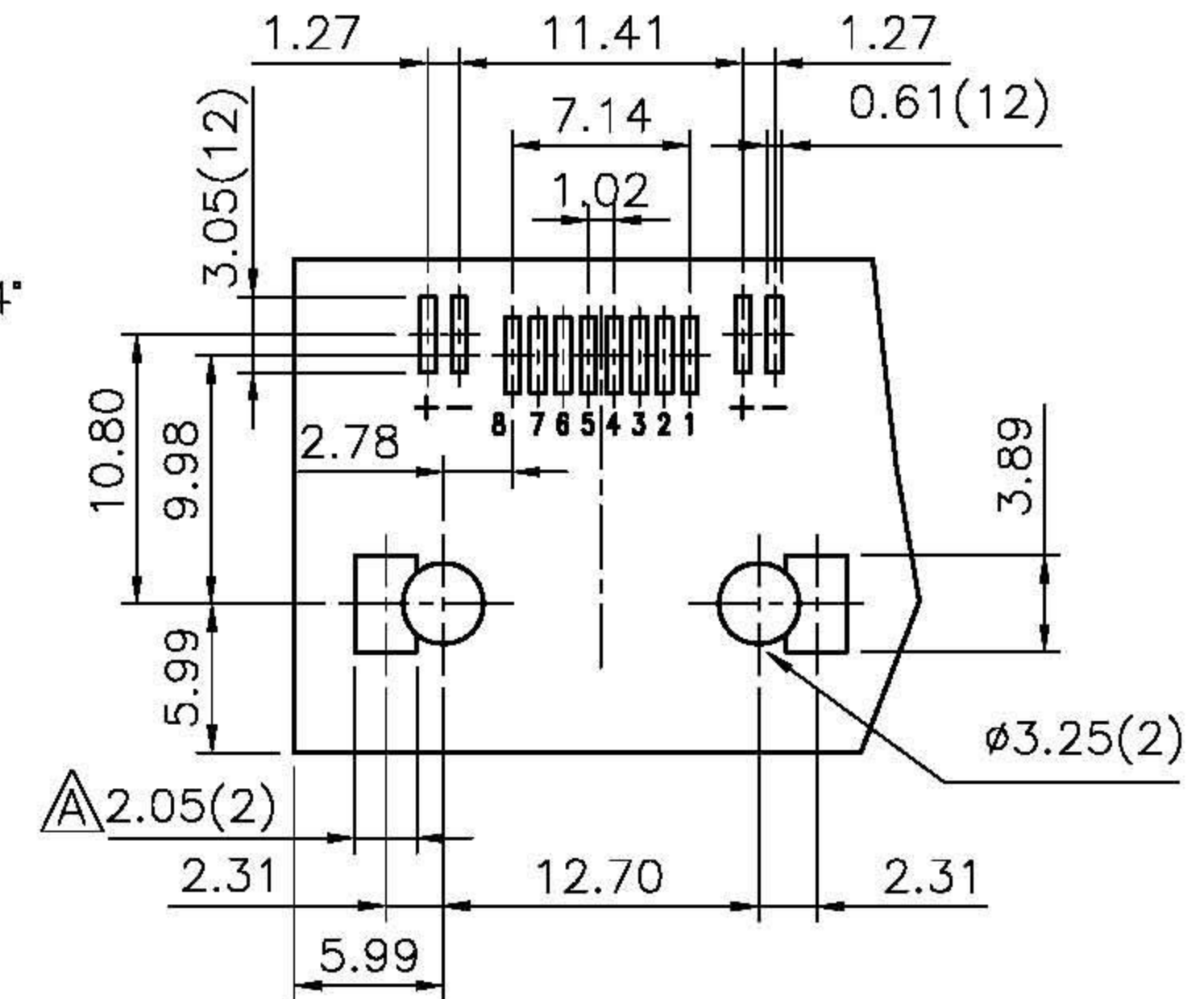
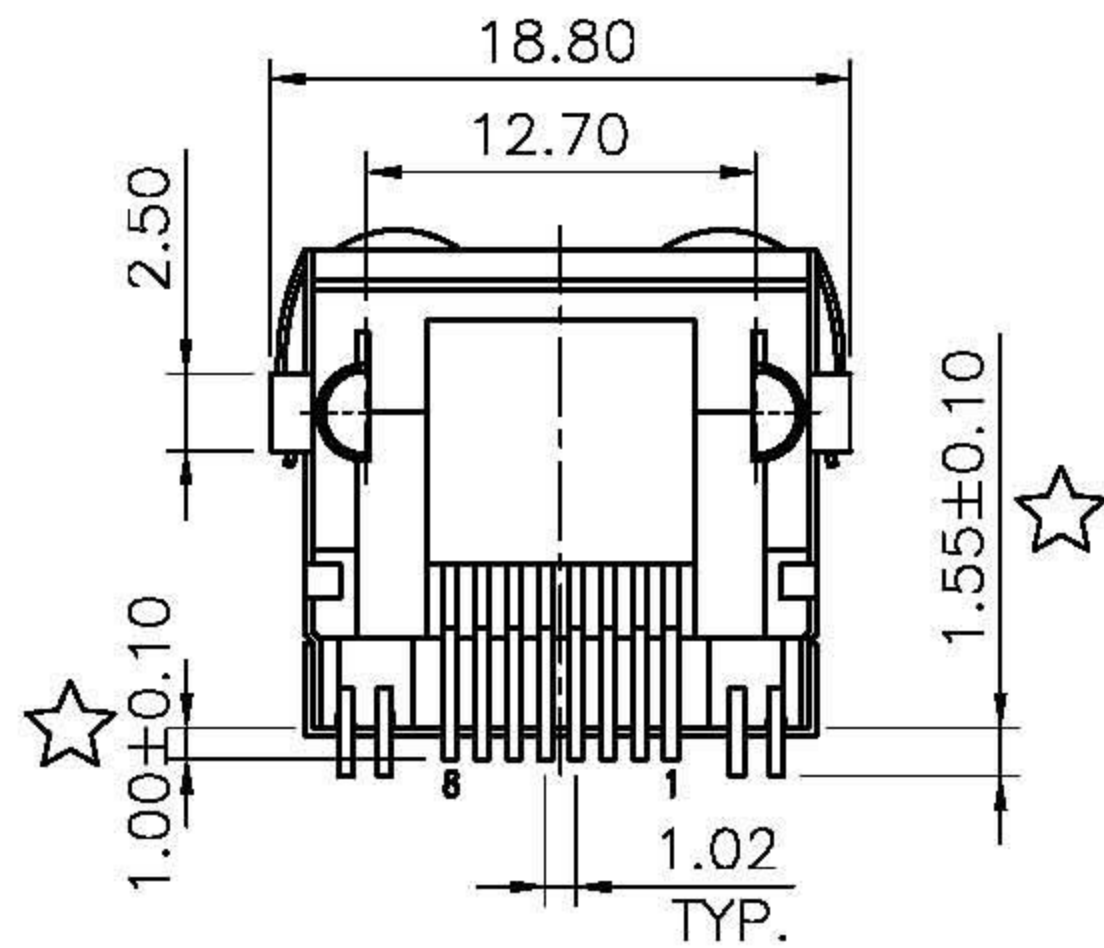
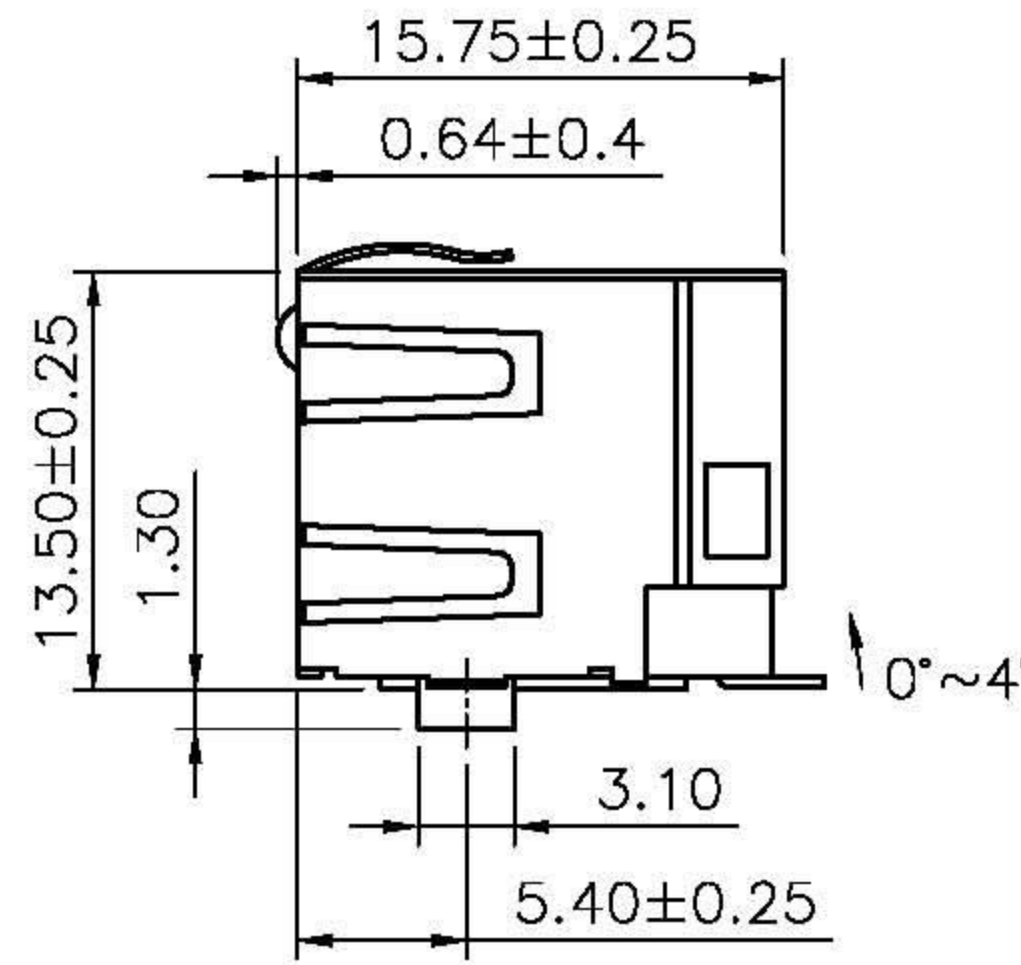
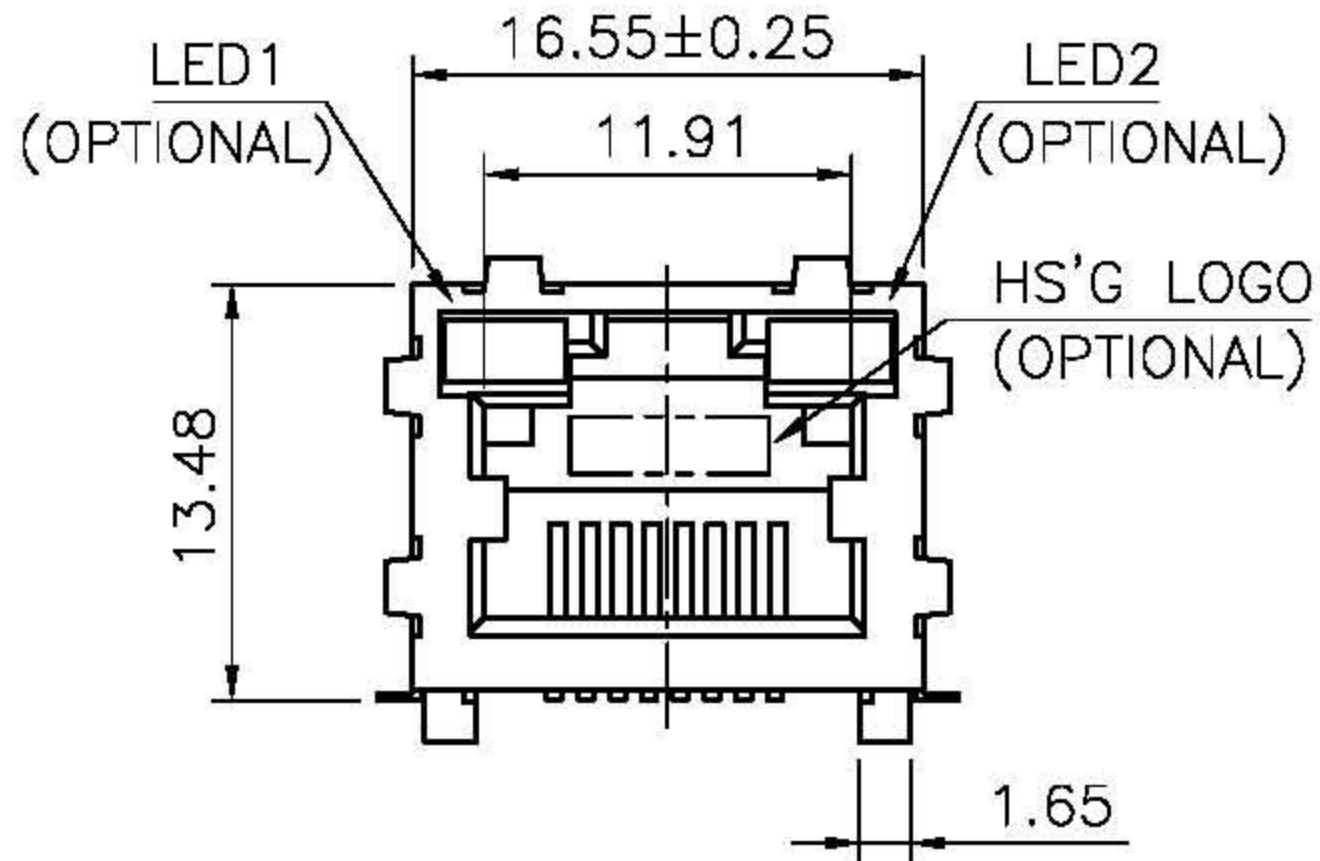


# RoHS Compliance



REVISIONS			
LTR	DESCRIPTION	DATE	APP
△	ADD	05/10/'07	CHANG



## PCB LAYOUT

Ref.

DO NOT SCALE DRAWING	TOLERANCES UNLESS OTHERWISE NOTED	INCH	MM	DR. <i>C.IAN.CI.LUO</i>	DATE DEC-29 '08
THIRD ANGLE PROJECTION	LINEAR	MM INCH	00± 000± 0000±	CK'D <i>M.CHANG</i>	DEC-29 '08
MM INCH	ANGLE ±0° 30'	RADII	+0.40 -0.15	APP'D <i>W.J.YANG</i>	DEC-29 '08

E-YUNG ENTERPRISE CO., LTD.

TITLE MODULAR JACK, RJ45, WITH LED'S SHIELDED, SMT TYPE, SIDE ENTRY

SCALE	SIZE	DWG.NO.	REV.	SHEET
		975607	5	1