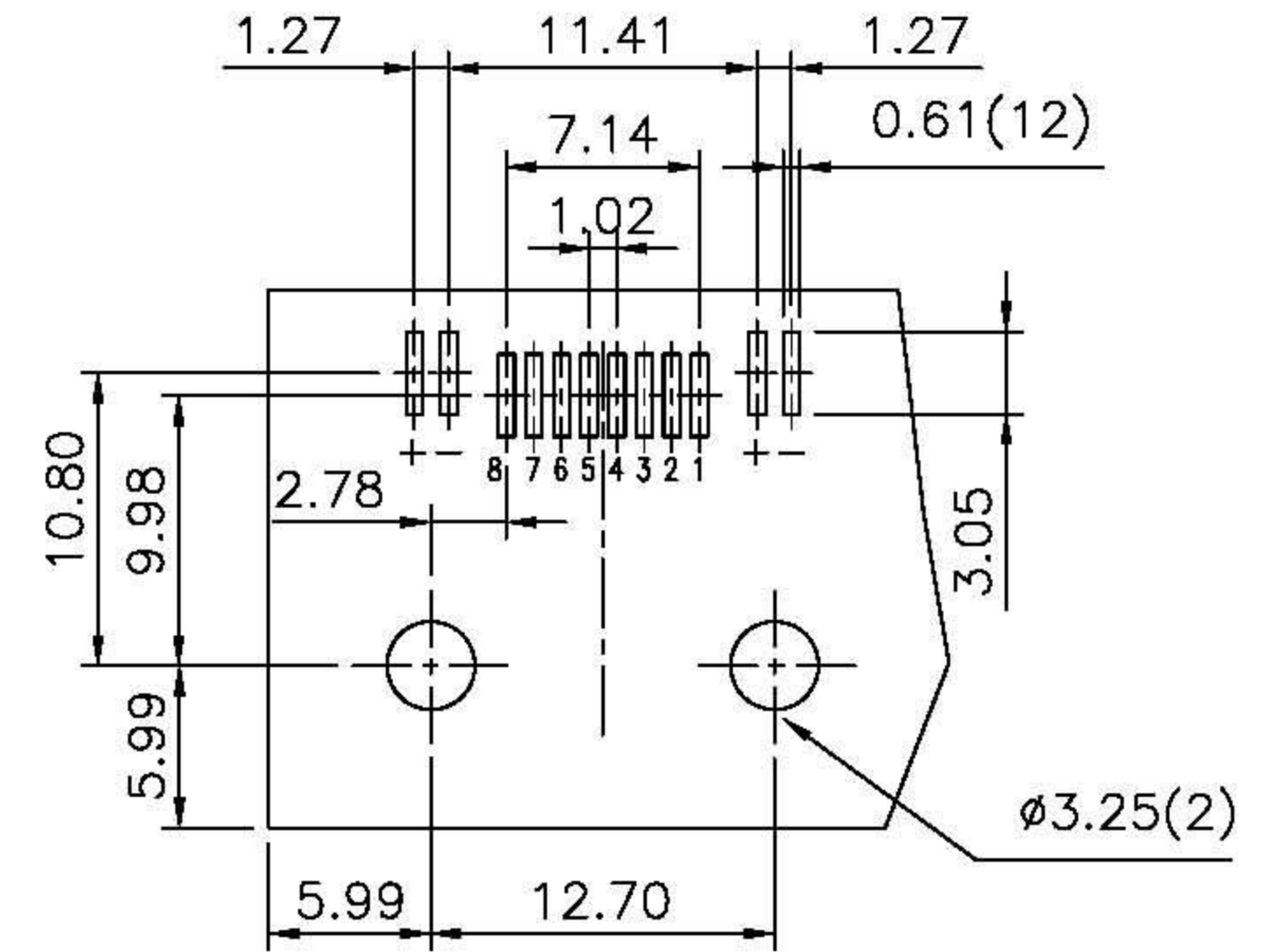
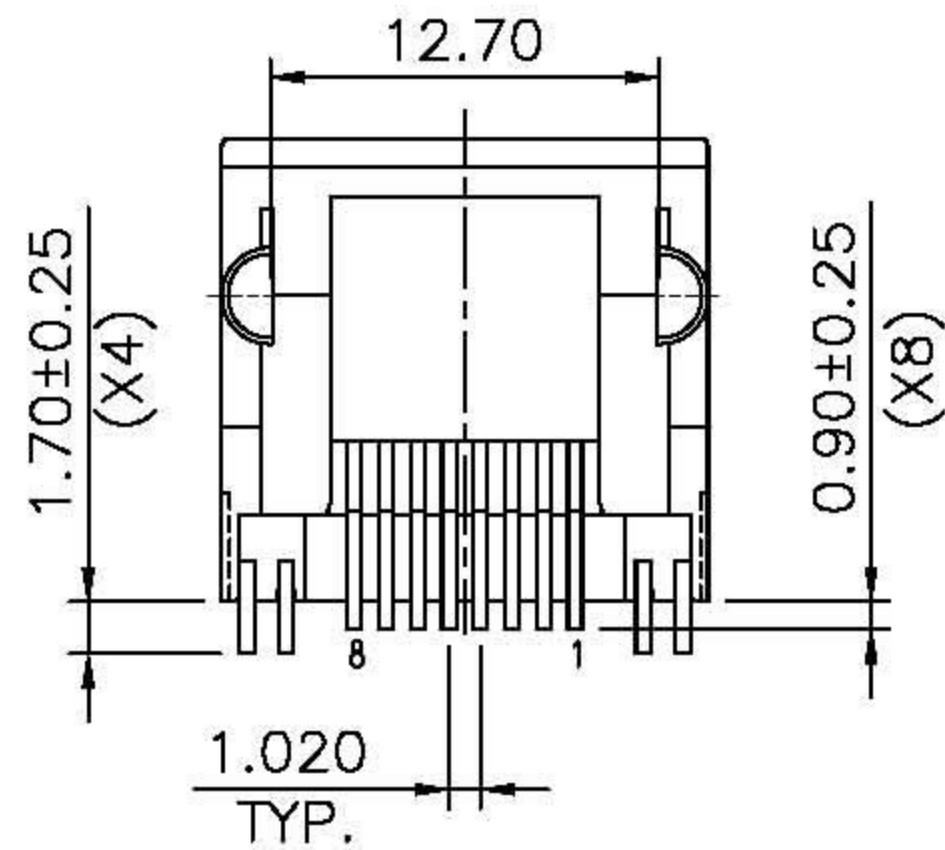
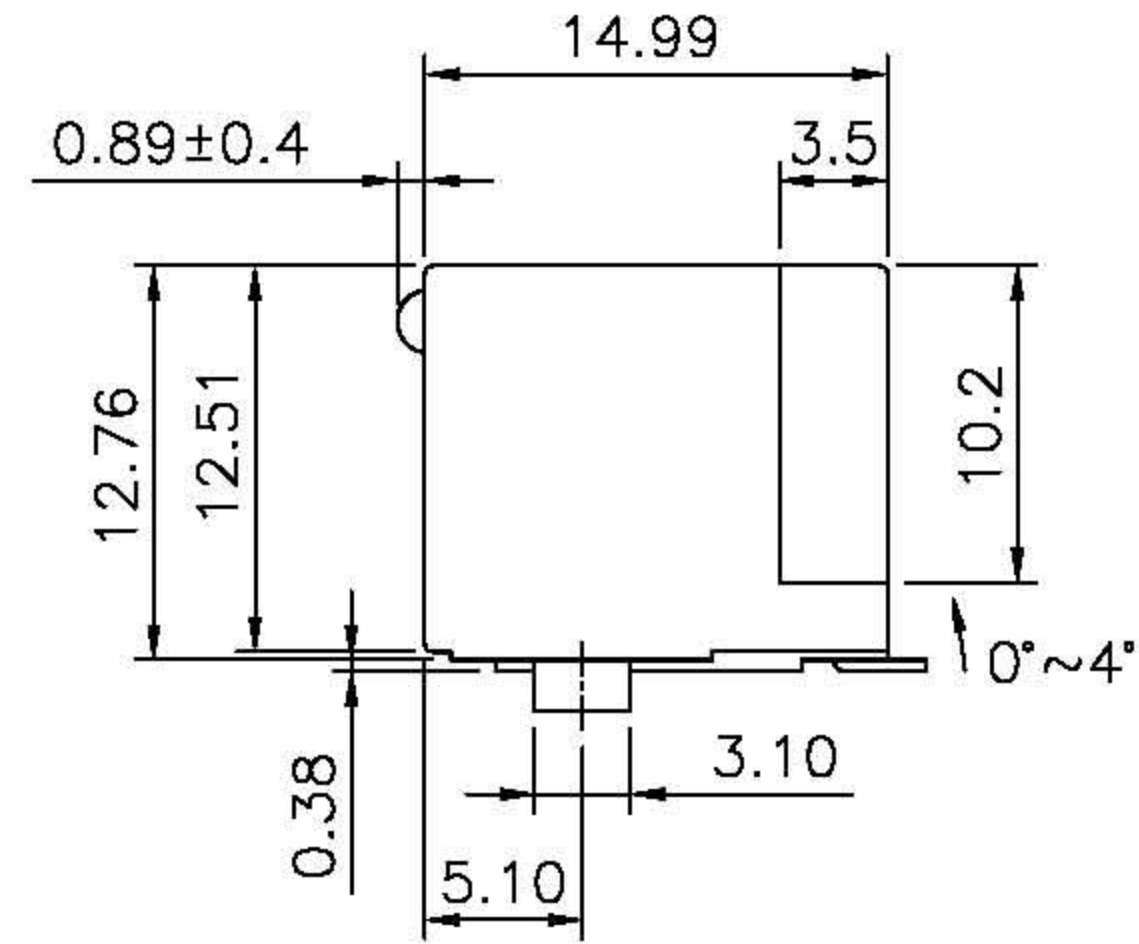
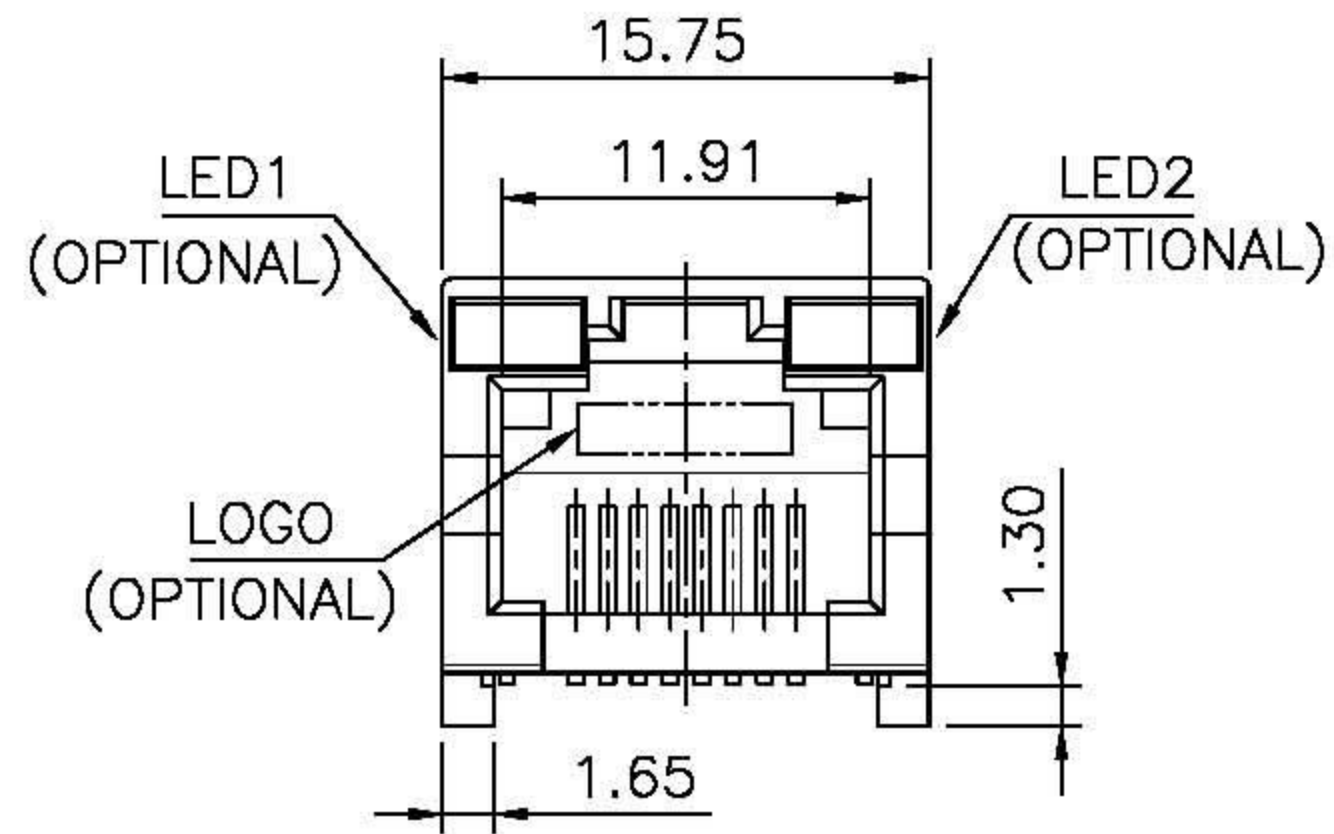


RoHS Compliance



PCB LAYOUT

Ref.

DO NOT SCALE DRAWING	TOLERANCES UNLESS OTHERWISE NOTED	INCH	MM	DR. <i>CIAN.CILUO</i>	DATE NOV-18 '09	E-YUNG ENTERPRISE CO., LTD.				
THIRD ANGLE PROJECTION	LINEAR	$00 \pm$ $000 \pm$ $0000 \pm$	0.0 ± 0.25 0.00 ± 0.20 0.000 ± 0.10	CK'D <i>M.CHANG</i>	NOV-18 '09					TITLE
MM INCH	ANGLE $\pm 0^\circ 30'$	RADII	± 0.40 -0.15	APP'D <i>W.J.YANG</i>	NOV-19 '09	SCALE	SIZE	DWG.NO. 975604	REV. 6	SHEET 1