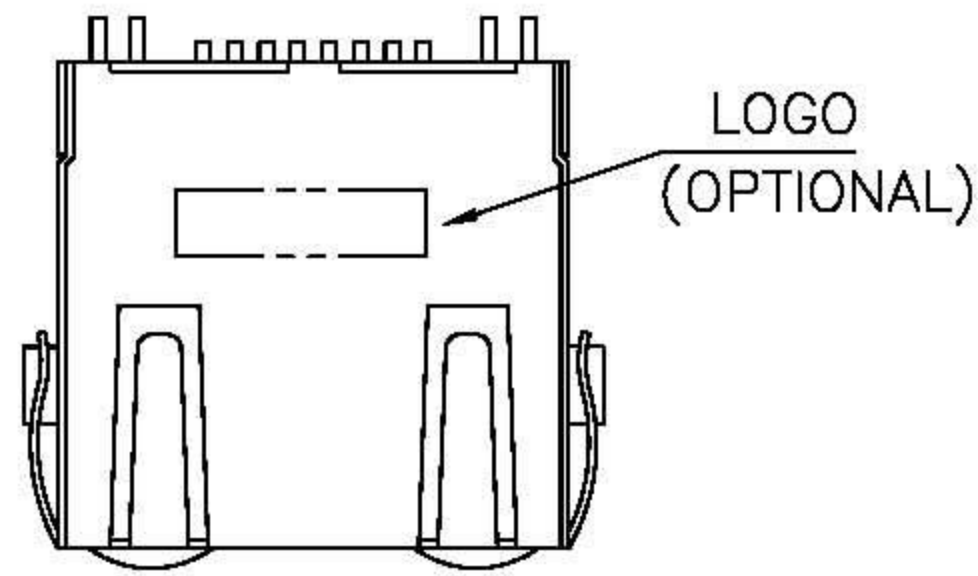
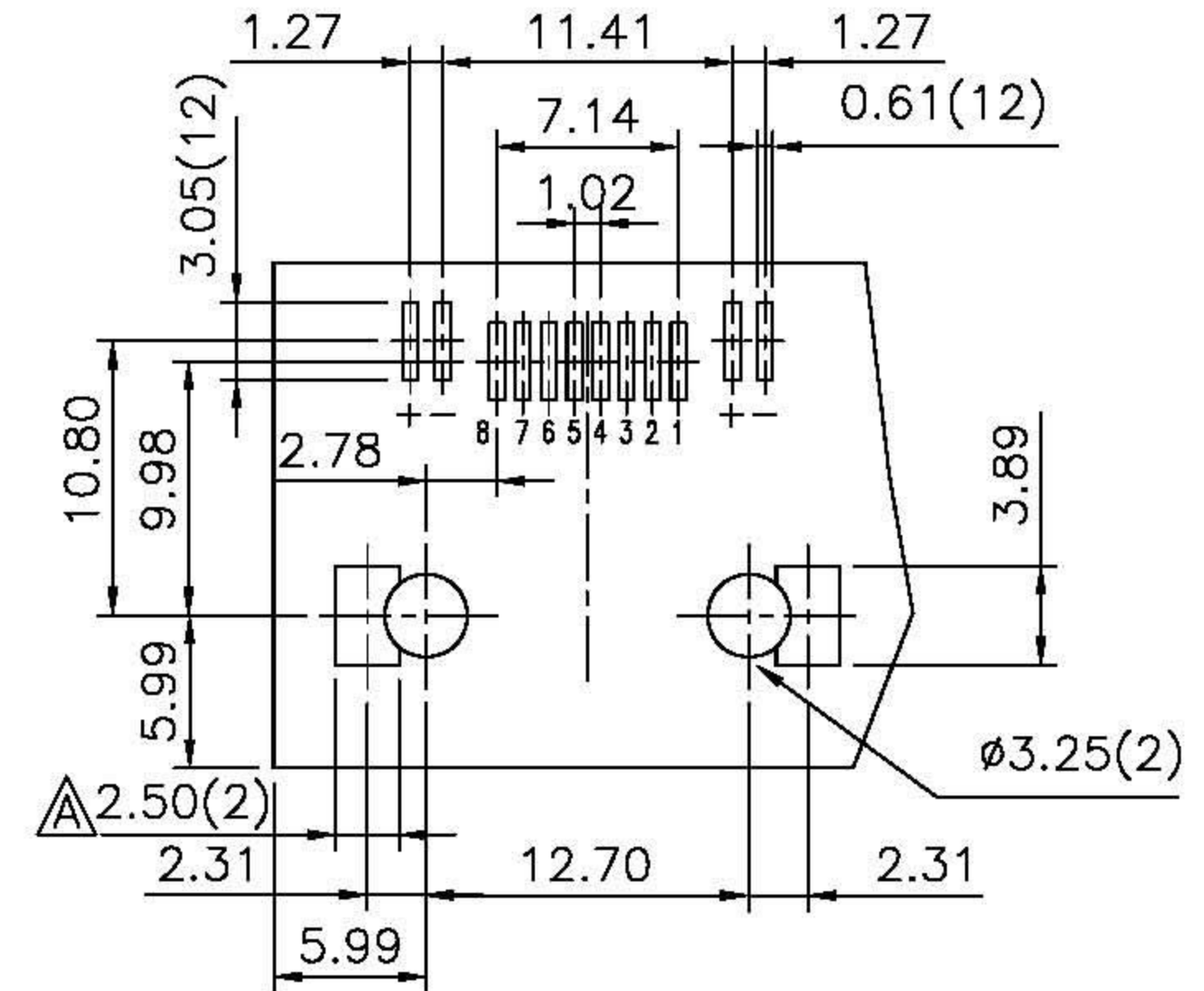
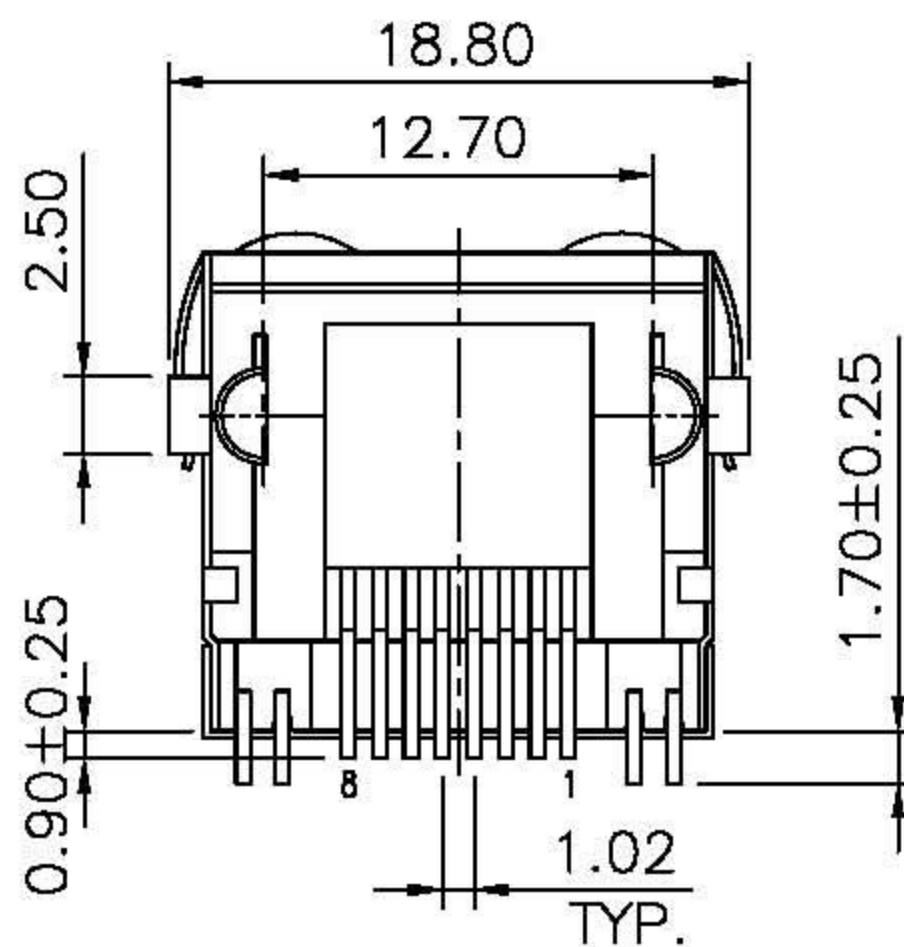
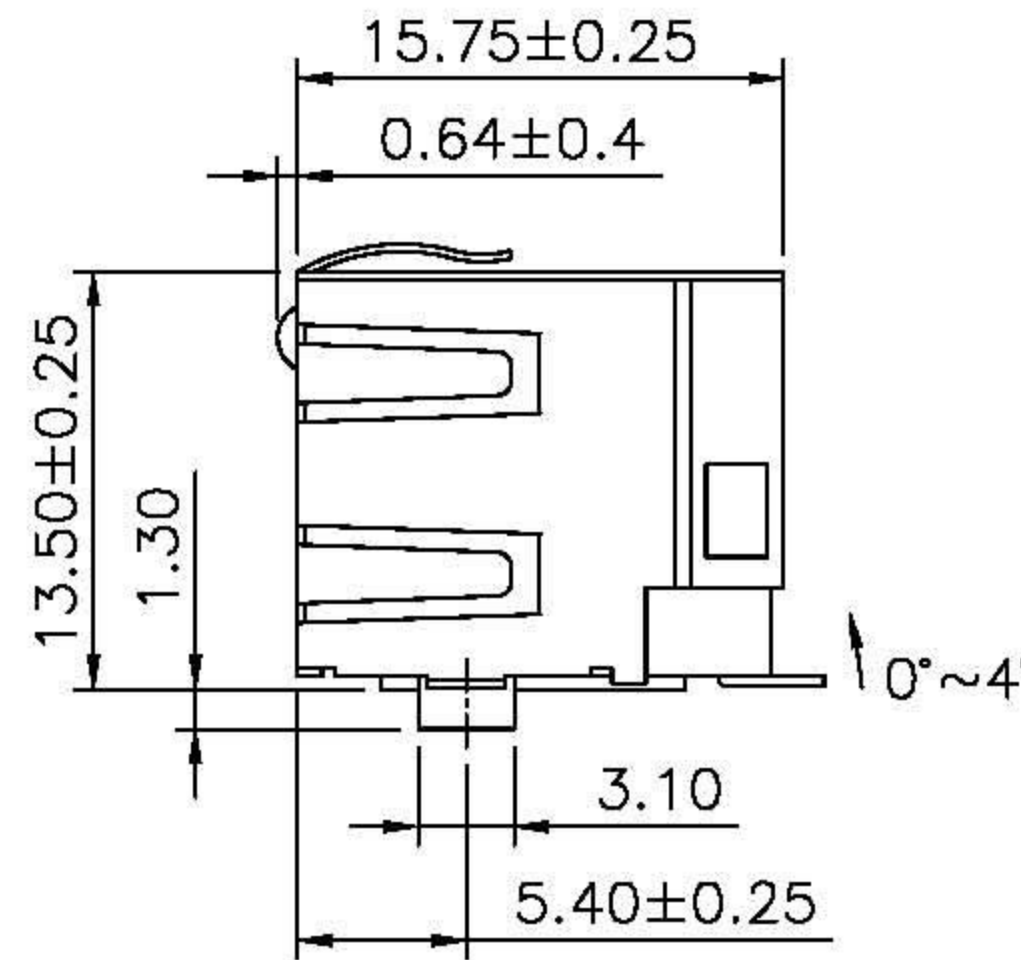
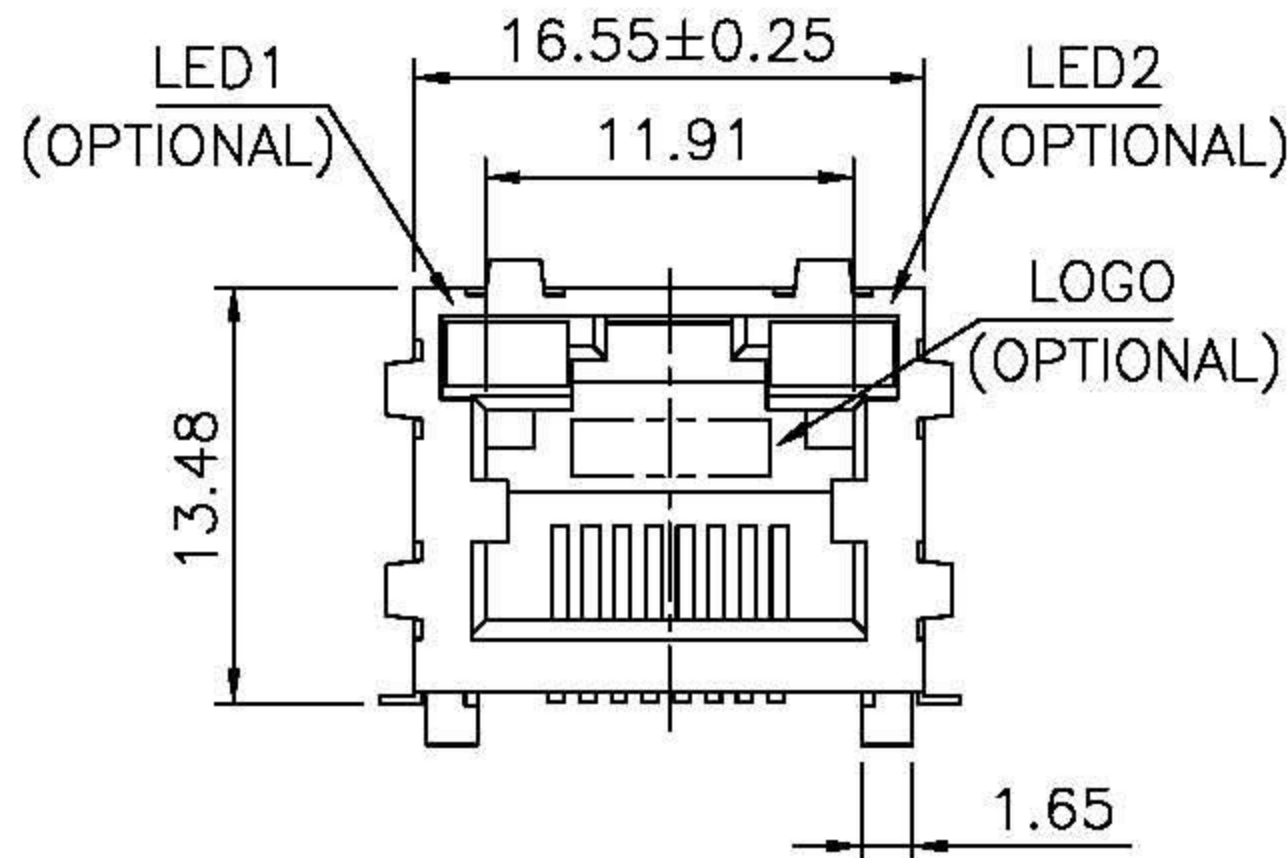


# RoHS Compliance



| REVISIONS |             |           |       |
|-----------|-------------|-----------|-------|
| LTR       | DESCRIPTION | DATE      | APP   |
| △         | ADD         | 05/10/'07 | CHANG |
|           |             |           |       |



PCB LAYOUT

Ref.

|                        |                                   |                         |   |                            |                    |
|------------------------|-----------------------------------|-------------------------|---|----------------------------|--------------------|
| DO NOT SCALE DRAWING   | TOLERANCES UNLESS OTHERWISE NOTED | INCH                    | MM  | DR.<br><i>C.IAN.CI.LUO</i> | DATE<br>DEC-24 '08 |
| THIRD ANGLE PROJECTION | LINEAR<br>MM<br>INCH              | 00 ±<br>000 ±<br>0000 ± | 0.0 ± 0.25<br>0.00 ± 0.20<br>0.000 ± 0.10 | CK'D<br><i>M.CHANG</i>     | DEC-24 '08         |
| MM<br>INCH             | ANGLE ± 0° 30'                    | RADII                   | ± 0.40<br>- 0.15                          | APP'D<br><i>W.J.YANG</i>   | DEC-25 '08         |

E-YUNG ENTERPRISE CO., LTD.

TITLE MODULAR JACK, RJ45, WITH LED'S SHIELDED, SMT TYPE, SIDE ENTRY

| SCALE | SIZE | DWG.NO. | REV. | SHEET |
|-------|------|---------|------|-------|
|       |      | 975601  | 6    | 1     |