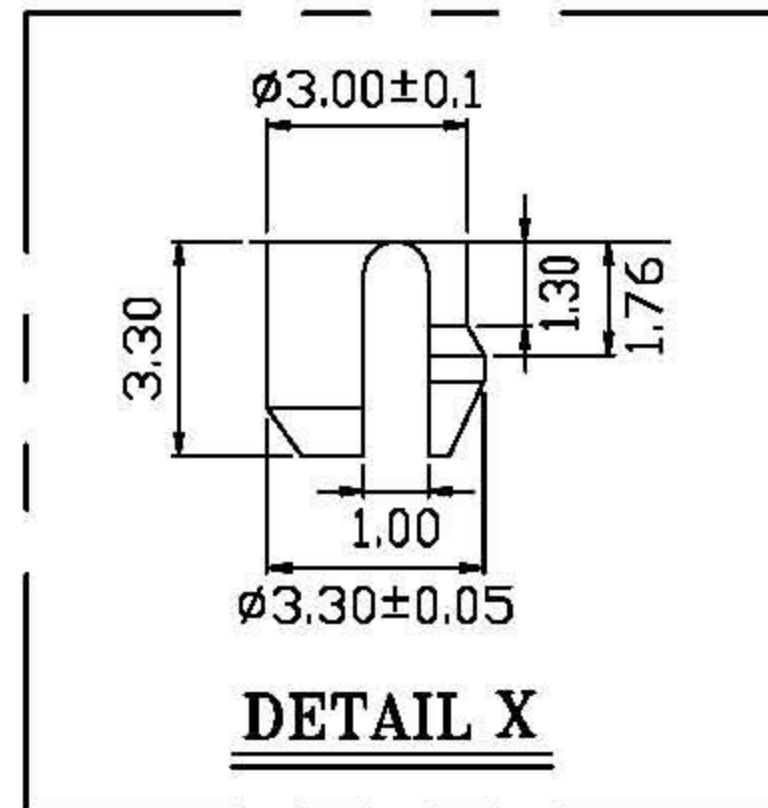
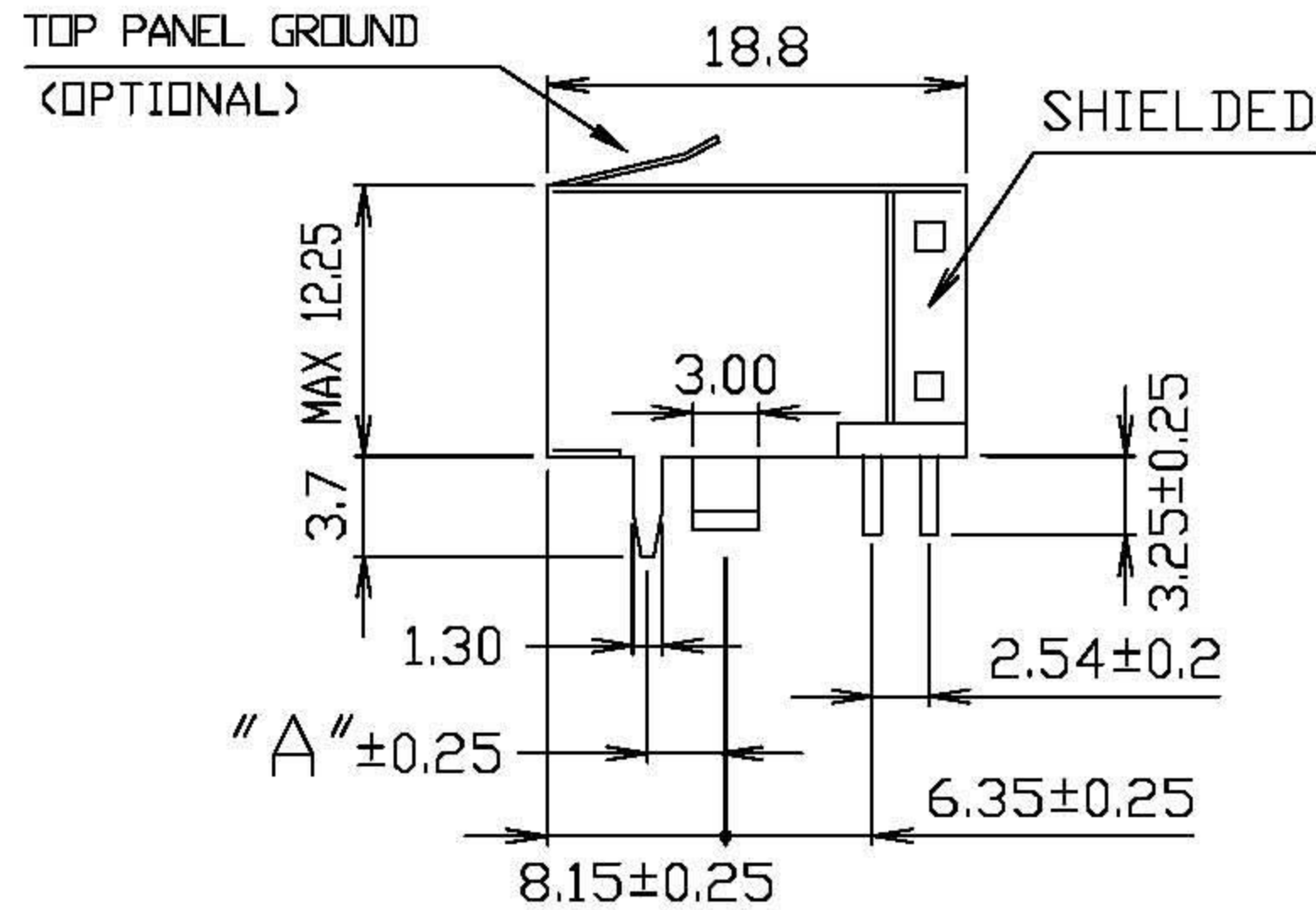
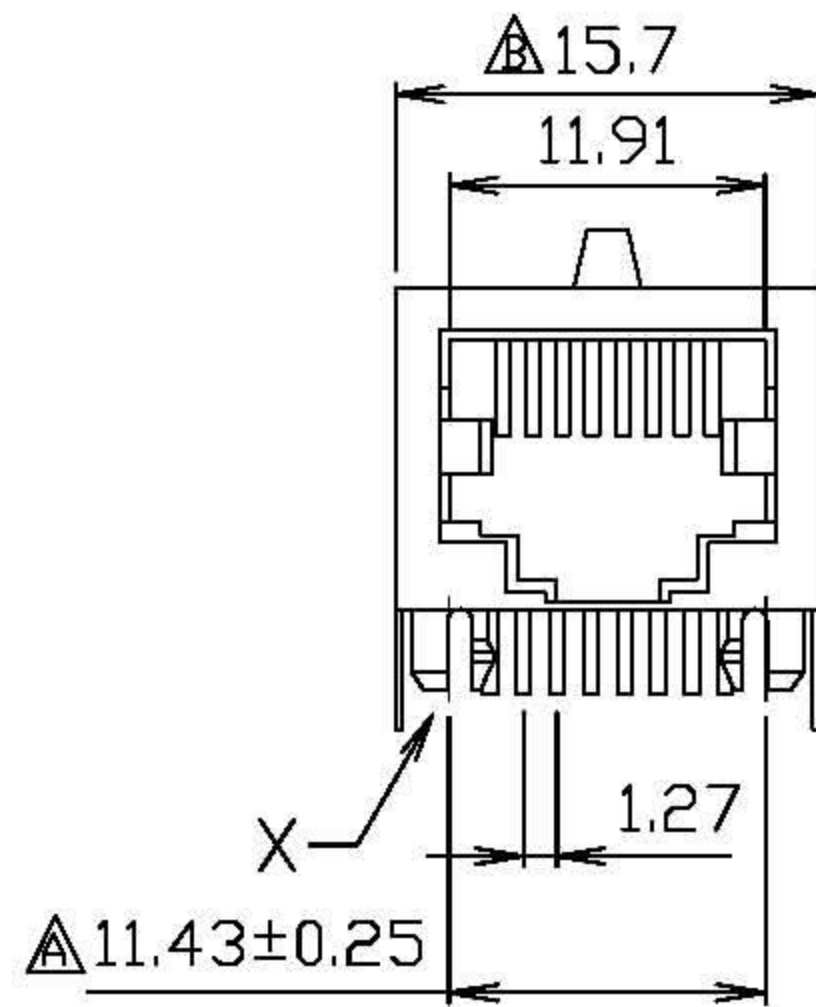
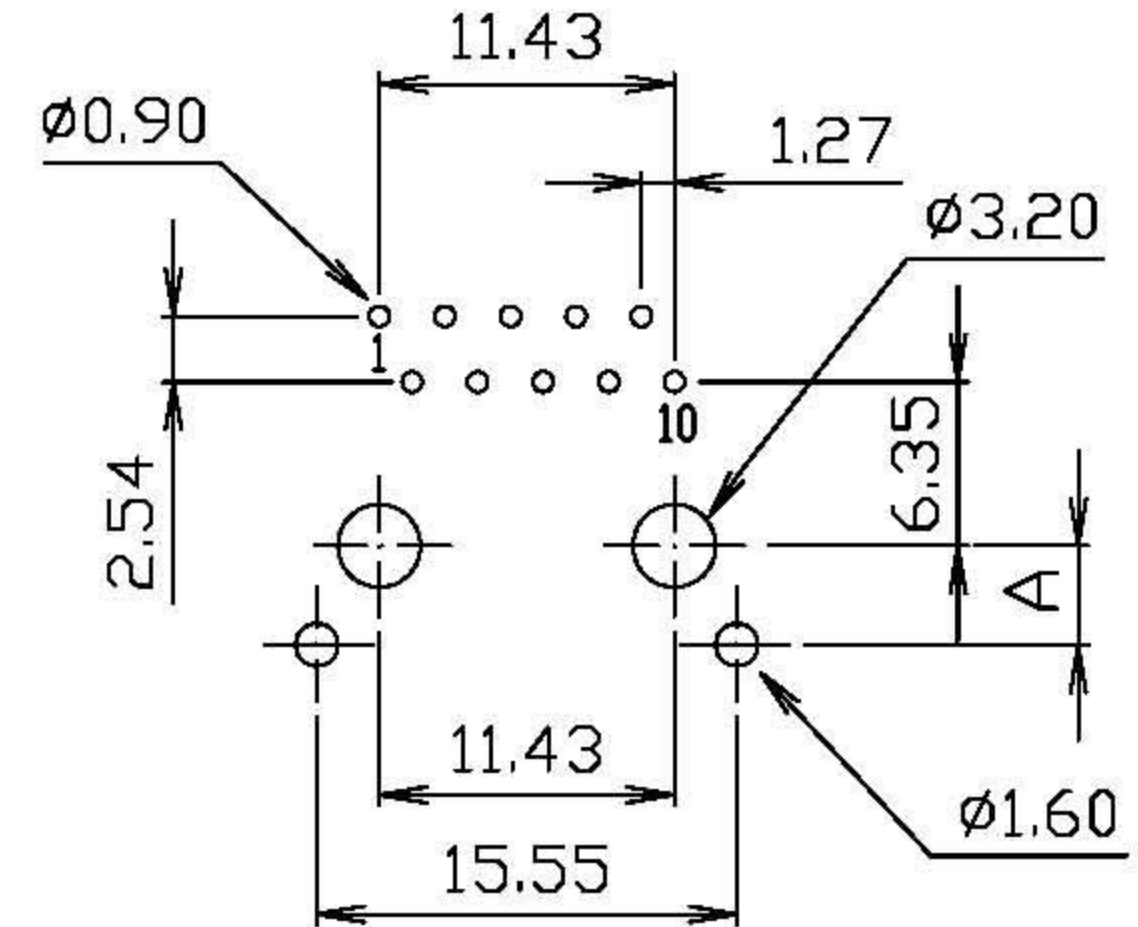
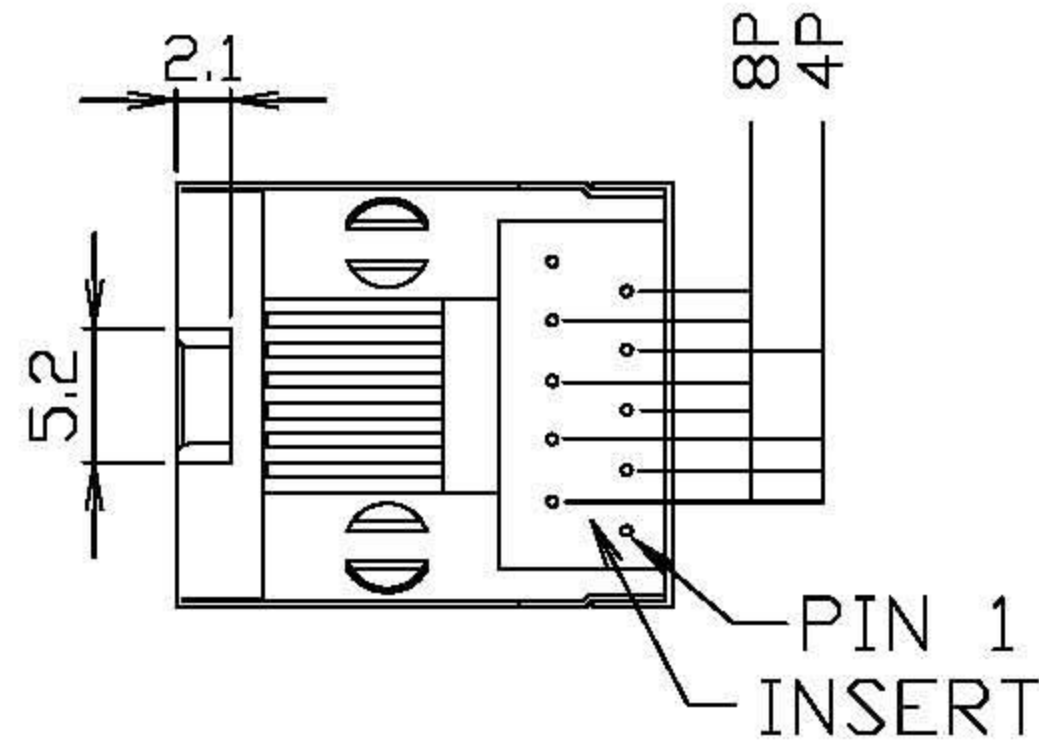


RoHS Compliance



REVISIONS			
LTR	DESCRIPTION	DATE	APP
△	CAR 11.43	01/22/'09	CHANG
△	CAR 15.9	07/03/'09	CHANG



PC Board Layout
REF.

DO NOT SCALE
DRAWING

TOLERANCES UNLESS
OTHERWISE NOTED

INCH

MM

DR.
CIAN.CI.LUO

DATE
MAY-06 '10

E-YUNG ENTERPRISE CO., LTD.

THIRD ANGLE PROJECTION

LINEAR $\frac{\text{MM}}{\text{INCH}}$

00 ± .01
000 ± .005
0000 ± .002

0.0 ± 0.25
0.00 ± 0.13
0.000 ± 0.05

CK'D
M.CHANG

MAY-06 '10

TITLE 10POSITION SIDE ENTRY FLAT PIN
VERY LOW PROFILE, SHIELDED PCB JACK

MM
INCH

ANGLE ± 0° 30'

RADII

+ 0.40
- 0.15

APP'D
W.J.YANG

MAY-06 '10

SCALE SIZE DWG.NO.
975402

REV. SHEET
5 1