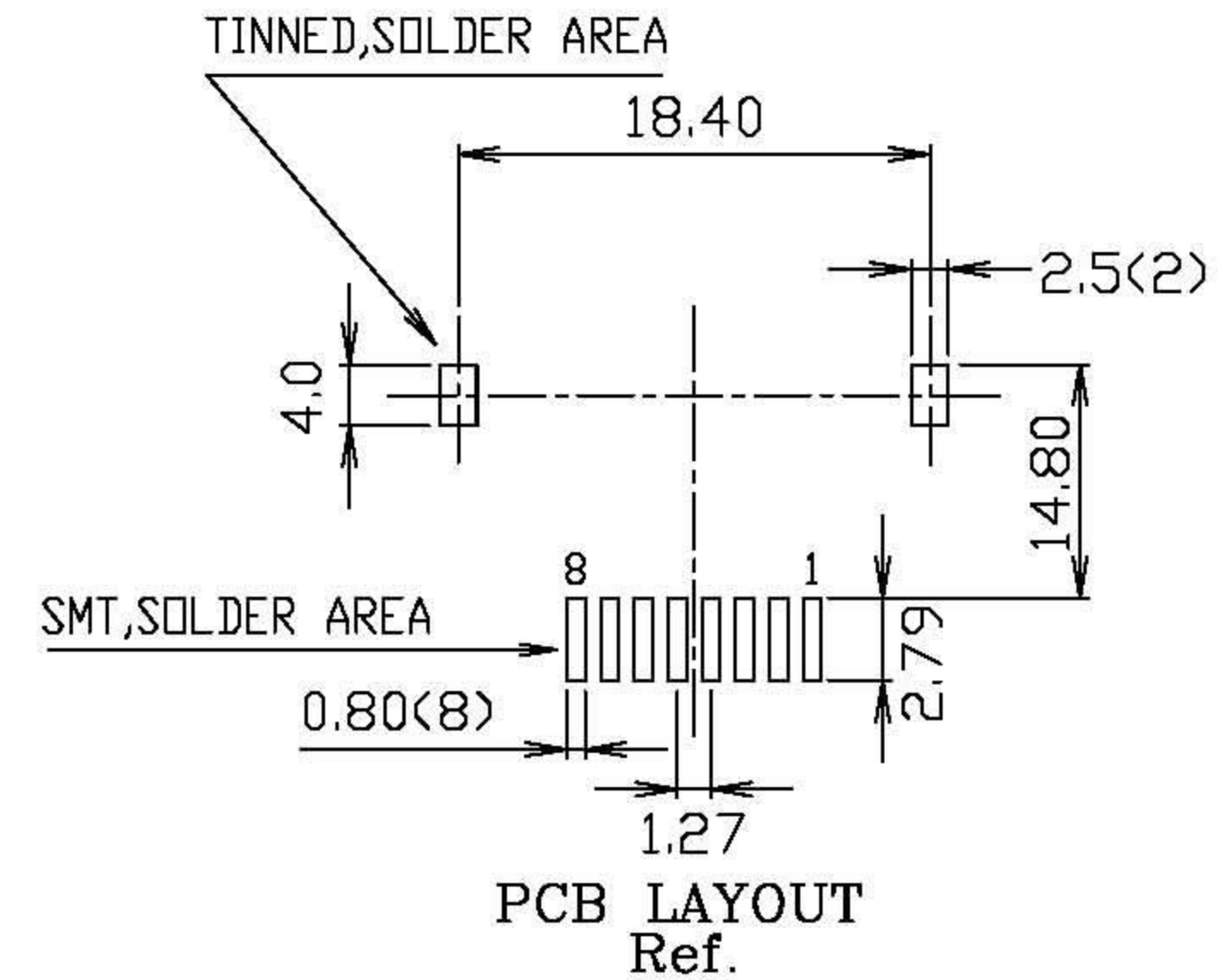
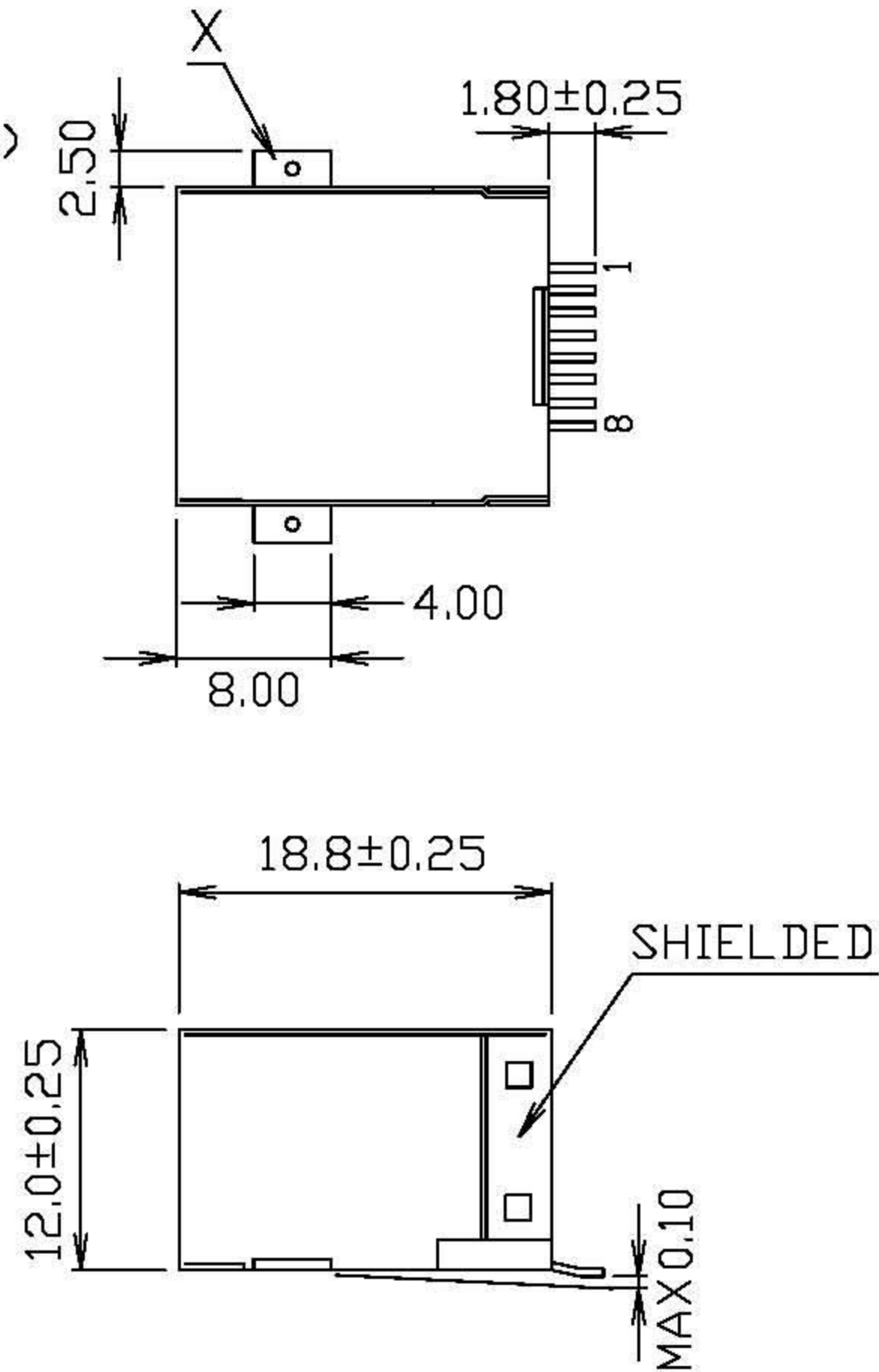
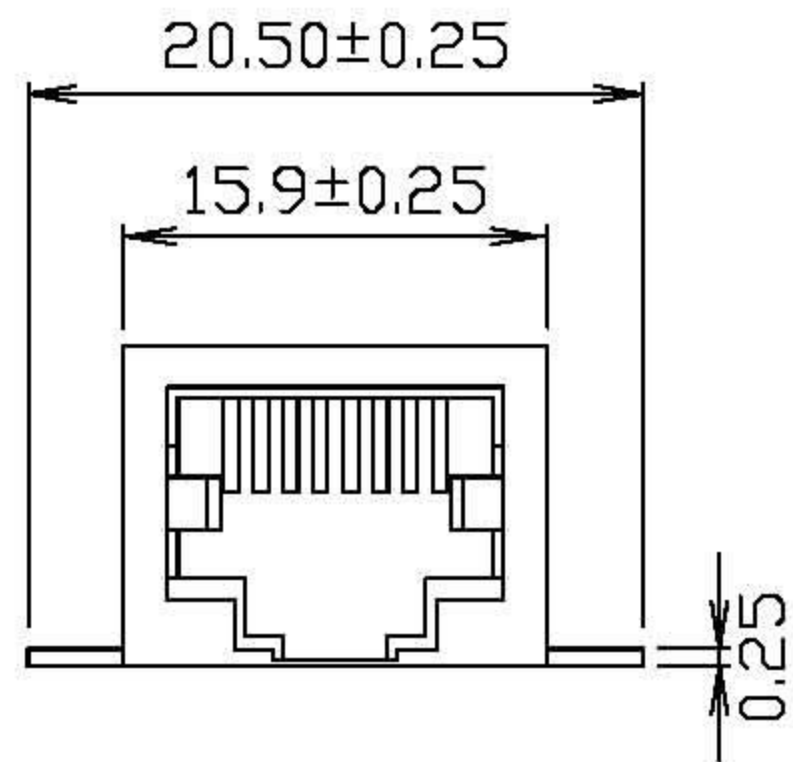
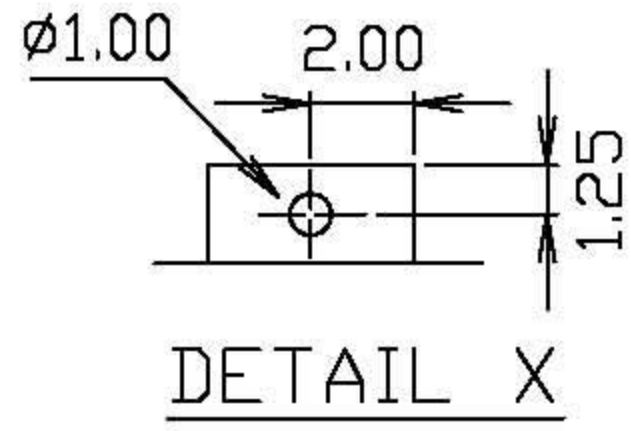
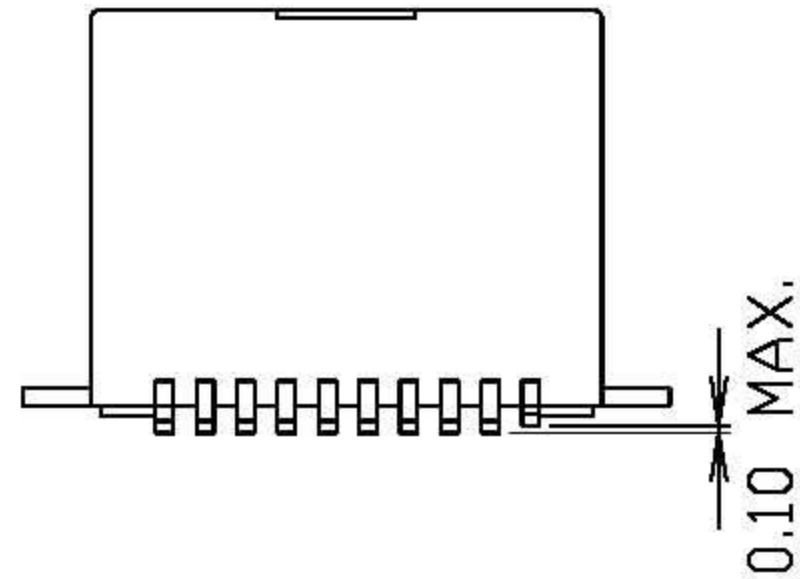


RoHS Compliance

COPLANARITY:
THE MAXIMUM DISTANCE (<0.10mm)
BETWEEN LOWEST AND
HIGHEST PIN WHEN
BOTTOM OF PART PUT
ON A FLAT SURFACE



DO NOT SCALE DRAWING	TOLERANCES UNLESS OTHERWISE NOTED	INCH	MM	DR. <i>CIAN.CI.LUO</i>	DATE JAN-17 '08
THIRD ANGLE PROJECTION	LINEAR	MM 00 ± .01 000 ± .005 0000 ± .002	INCH 0.0 ± 0.25 0.00 ± 0.13 0.000 ± 0.05	CK'D <i>M.CHANG</i>	JAN-17 '08
MM INCH	ANGLE ± 0° 30'	RADII	+ 0.40 - 0.15	APP'D <i>W.J.YANG</i>	JAN-18 '08

E-YUNG ENTERPRISE CO., LTD.

TITLE 10POSITION SIDE ENTRY SMT TYPE
VERY LOW PROFILE, SHIELDED PCB JACK

SCALE SIZE DWG.NO. 975301

REV. SHEET
4 1