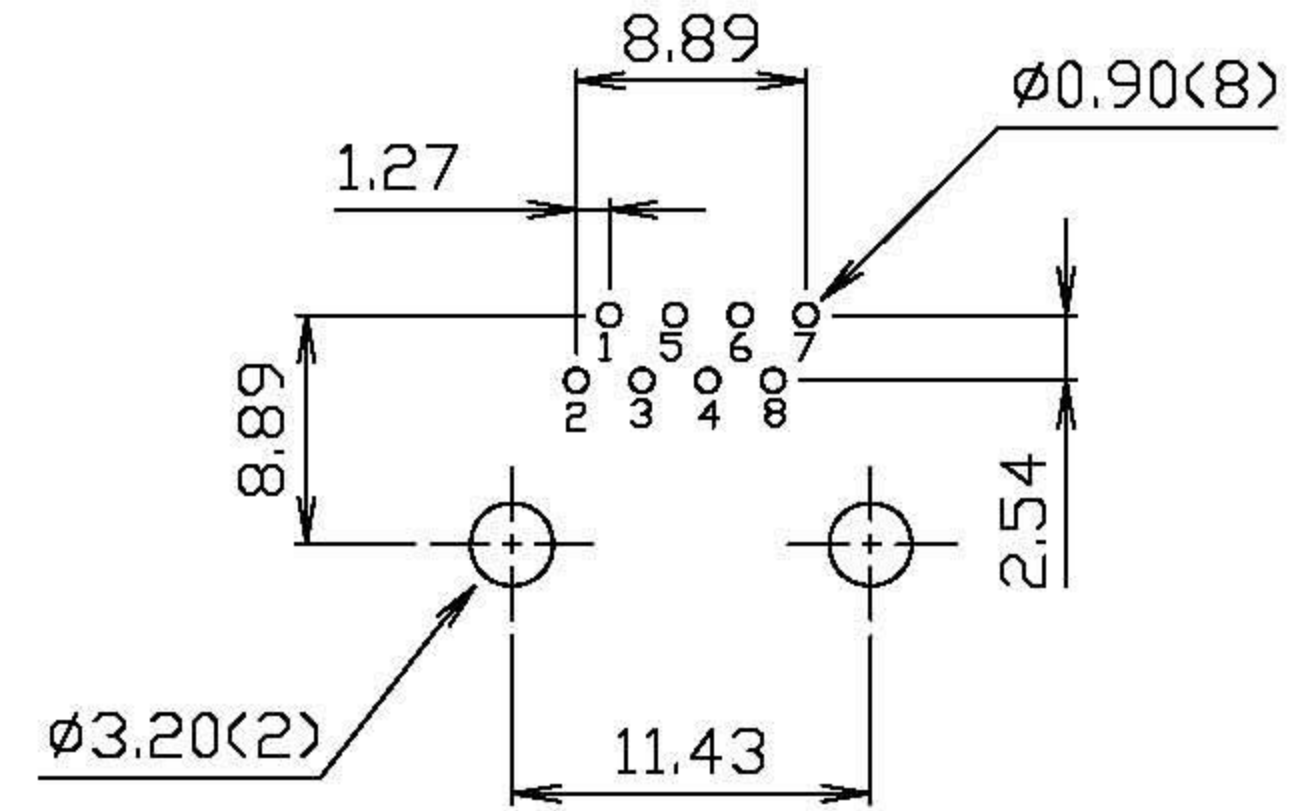
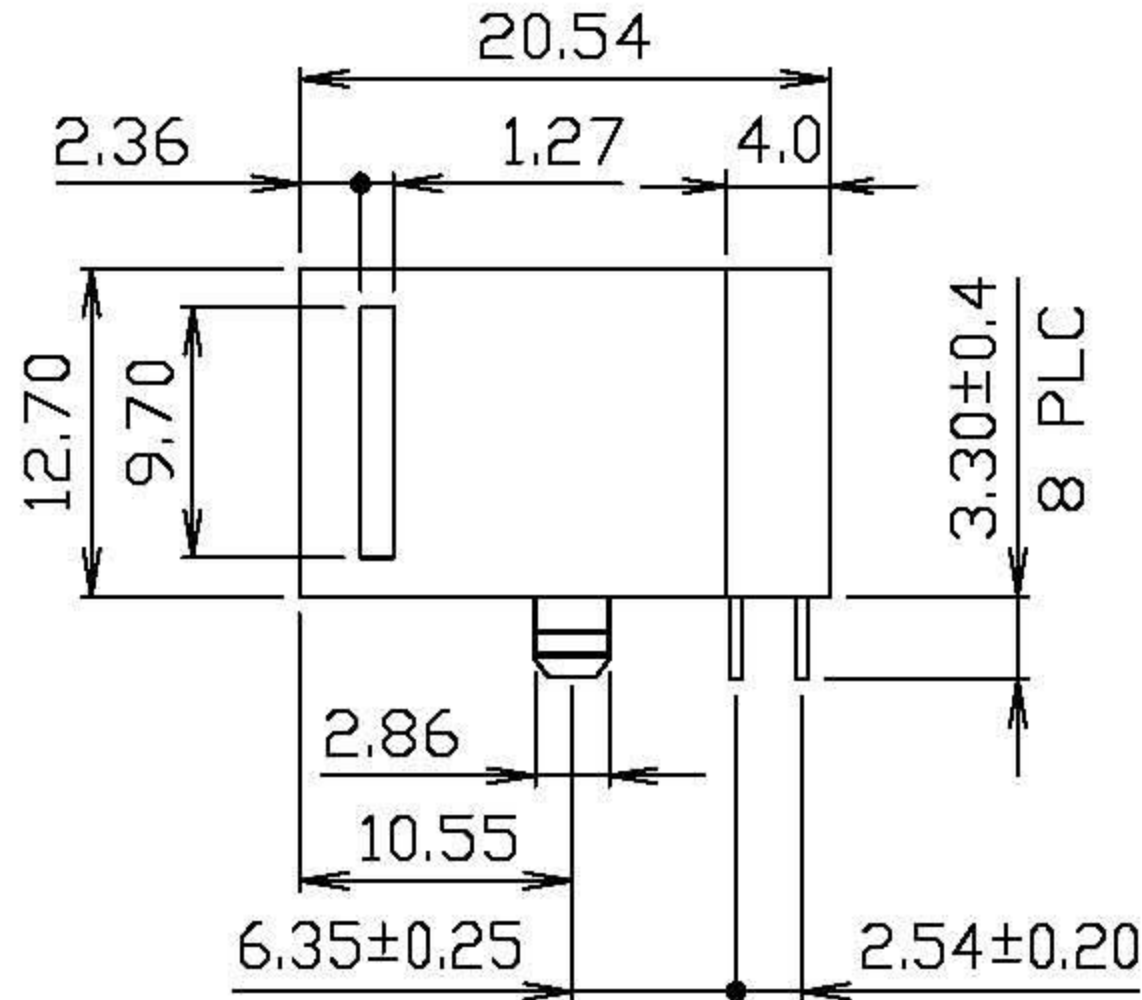
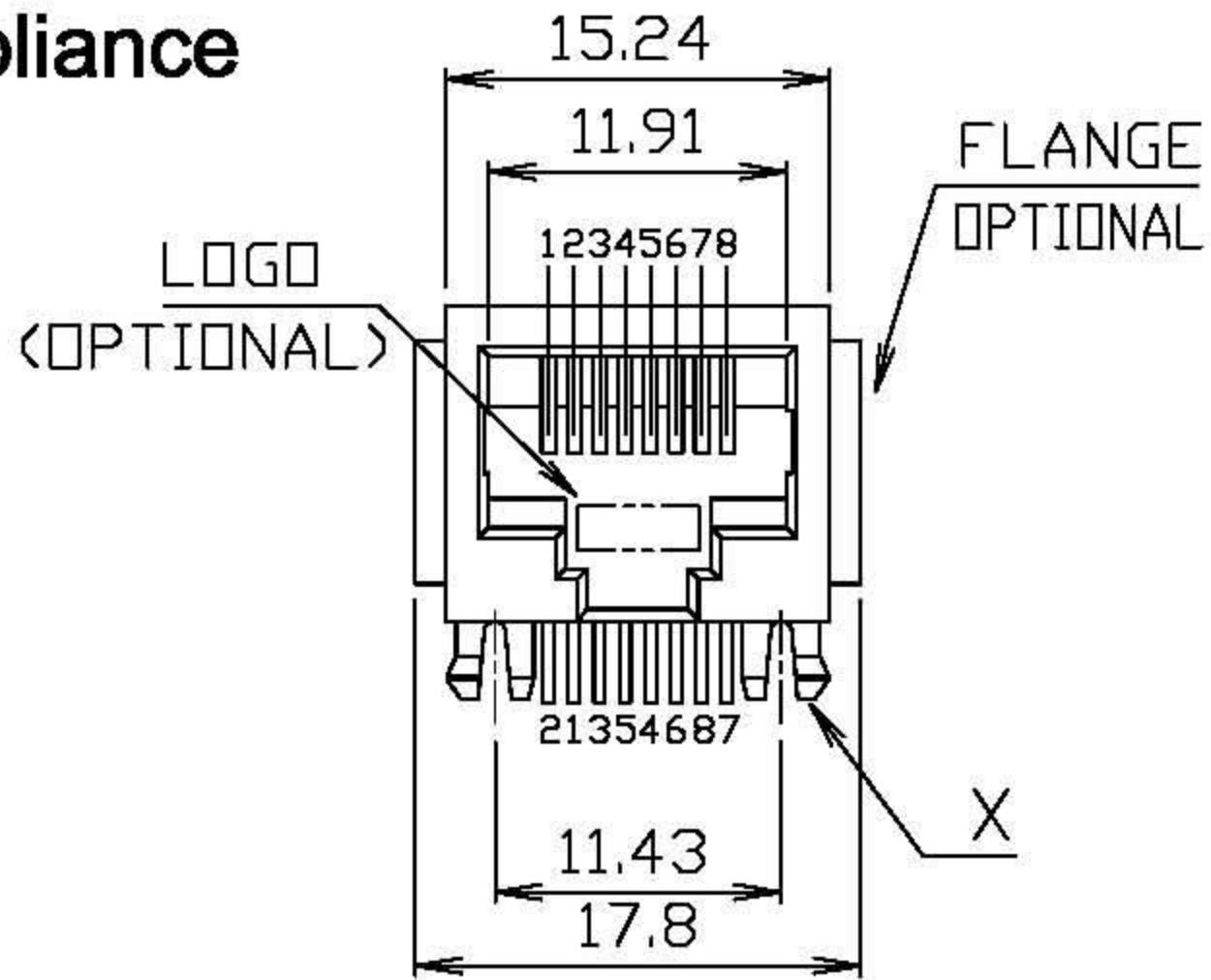
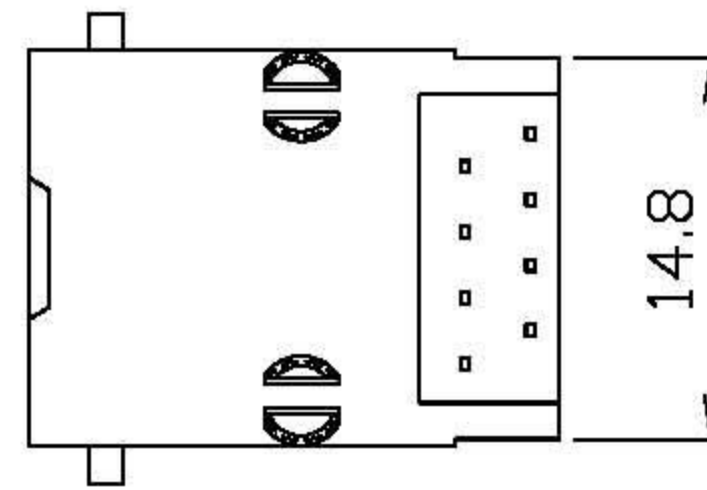
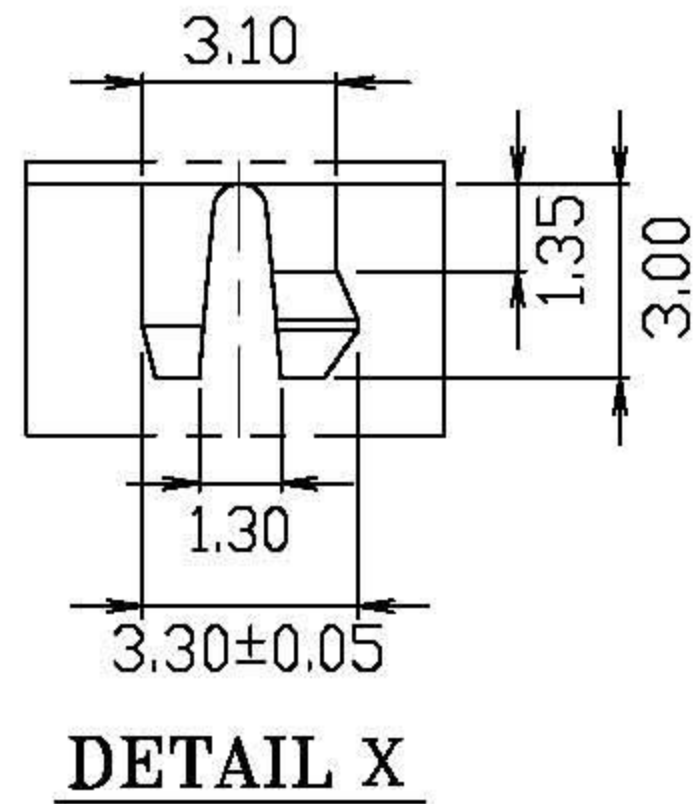
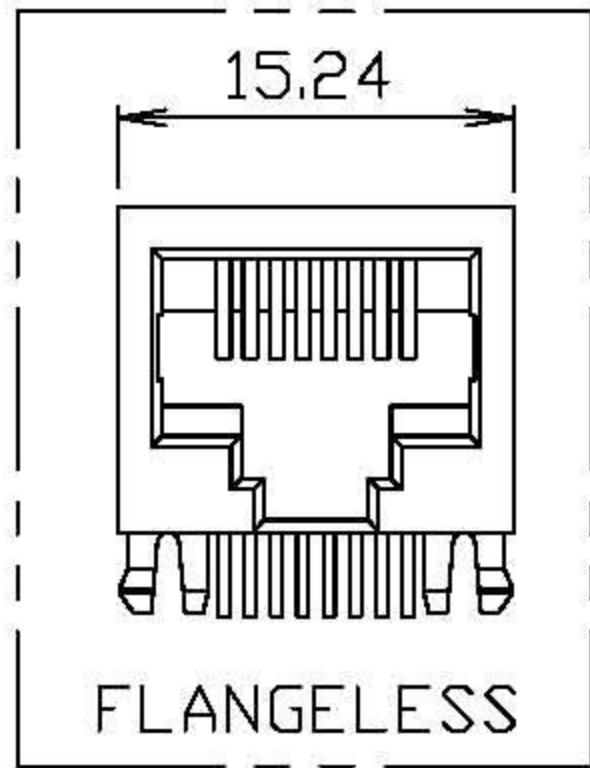


RoHS Compliance



PC Board Layout Ref.



DO NOT SCALE DRAWING	TOLERANCES UNLESS OTHERWISE NOTED	INCH	MM	DR. <i>M.L.HUANG</i>	DATE SEP-23 '08	E-YUNG ENTERPRISE CO., LTD.				
THIRD ANGLE PROJECTION	LINEAR	$00 \pm .01$ $000 \pm .005$ $0000 \pm .002$	0.0 ± 0.25 0.00 ± 0.13 0.000 ± 0.05	CK'D <i>M.CHANG</i>	SEP-23 '08					TITLE
MM INCH	ANGLE $\pm 0^\circ 30'$	RADII	$+0.40$ -0.15	APP'D <i>W.J.YANG</i>	SEP-23 '08	SCALE	SIZE	DWG.NO. 975002	REV. 7	SHEET 1