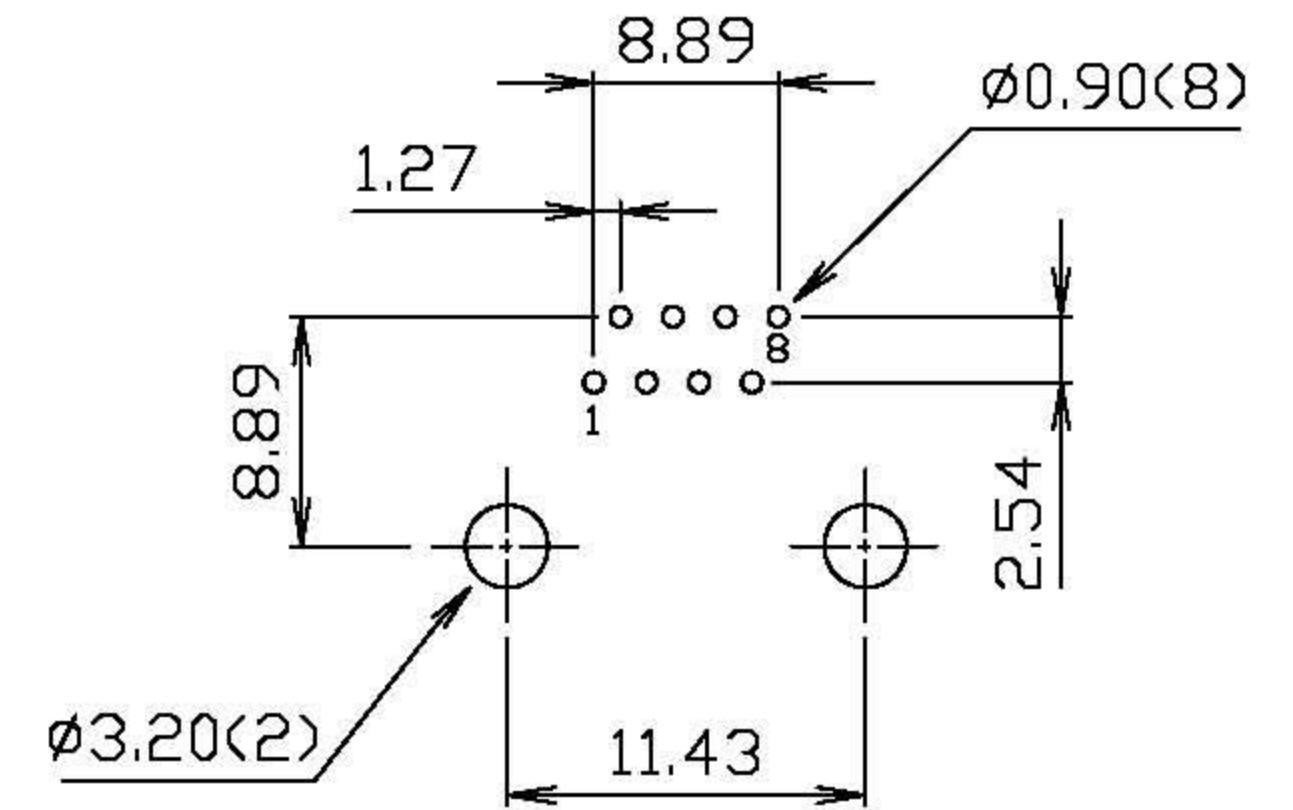
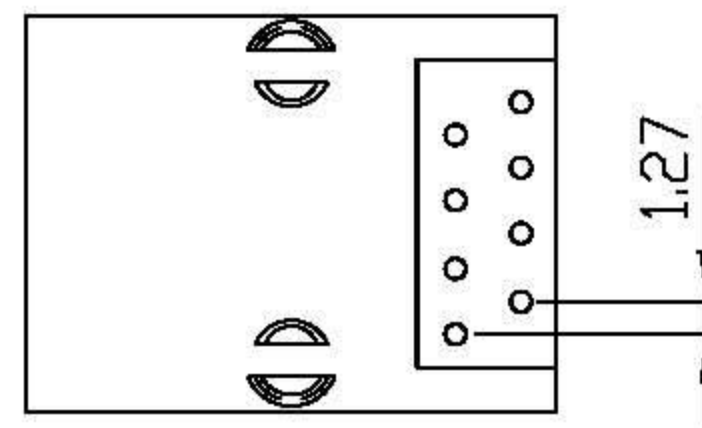
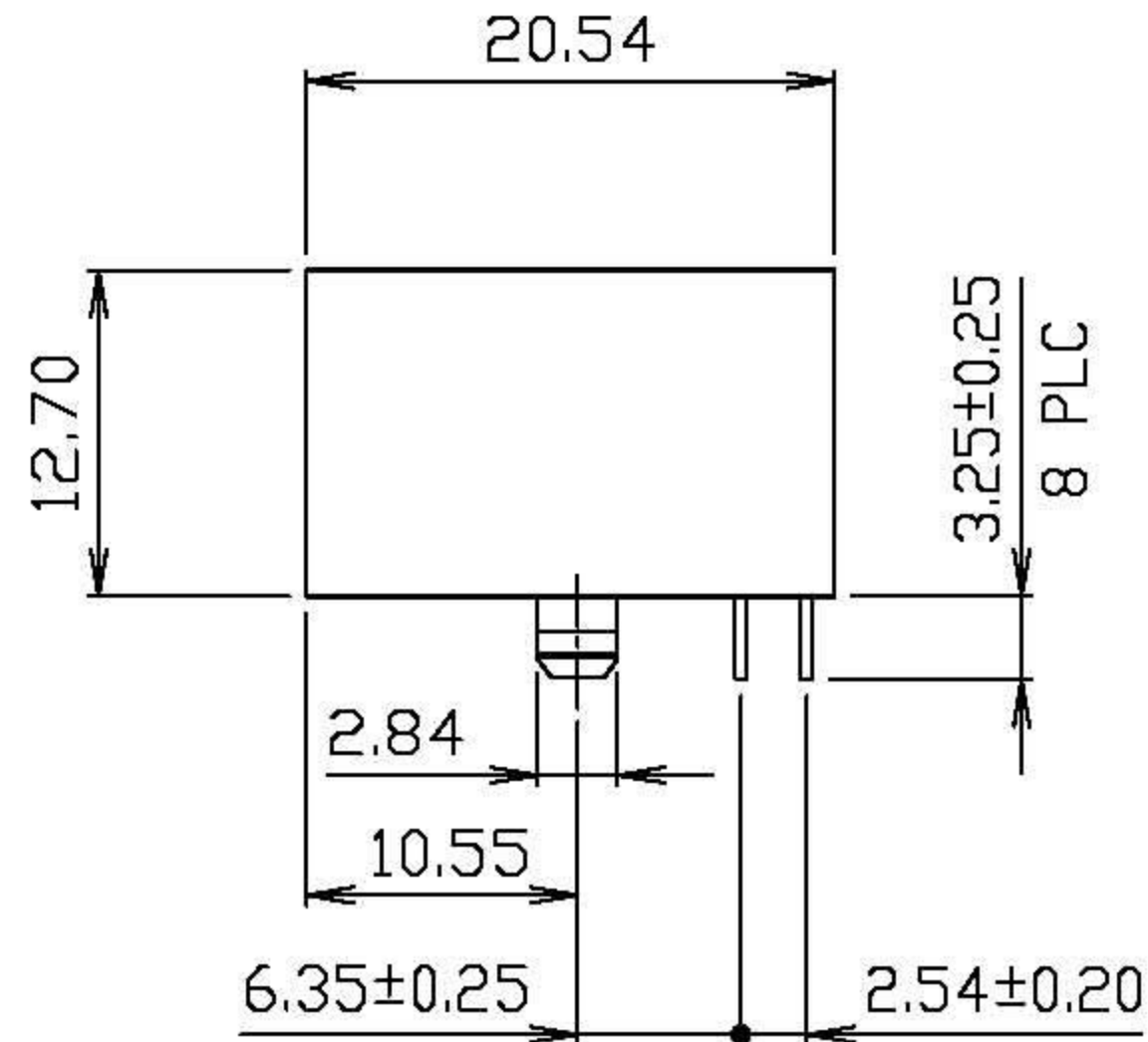


DETAIL X



PC Board Layout Ref.

E-YUNG ENTERPRISE CO., LTD.

DO NOT SCALE DRAWING	TOLERANCES UNLESS OTHERWISE NOTED	INCH	MM	DR. <i>M.L.HUANG</i>	DATE JAN-16 '07
THIRD ANGLE PROJECTION	LINEAR	$00 \pm .01$ $000 \pm .005$ $0000 \pm .002$	0.0 ± 0.25 0.00 ± 0.13 0.000 ± 0.05	CK'D <i>M.CHANG</i>	JAN-16 '07
MM INCH	ANGLE $\pm 0^\circ 30'$	RADII	$+ 0.40$ $- 0.15$	APP'D <i>W.J.YANG</i>	JAN-16 '07

TITLE		8POSITION, CAT.5, SIDE ENTRY PCB JACK		
SCALE	SIZE	DWG.NO.	REV.	SHEET
		974903	3	1