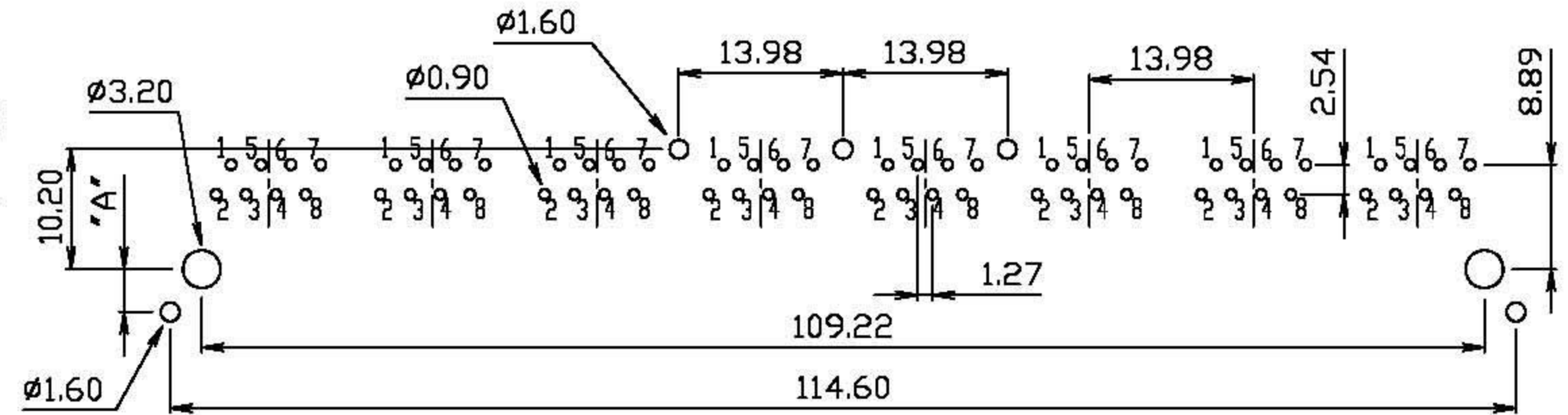
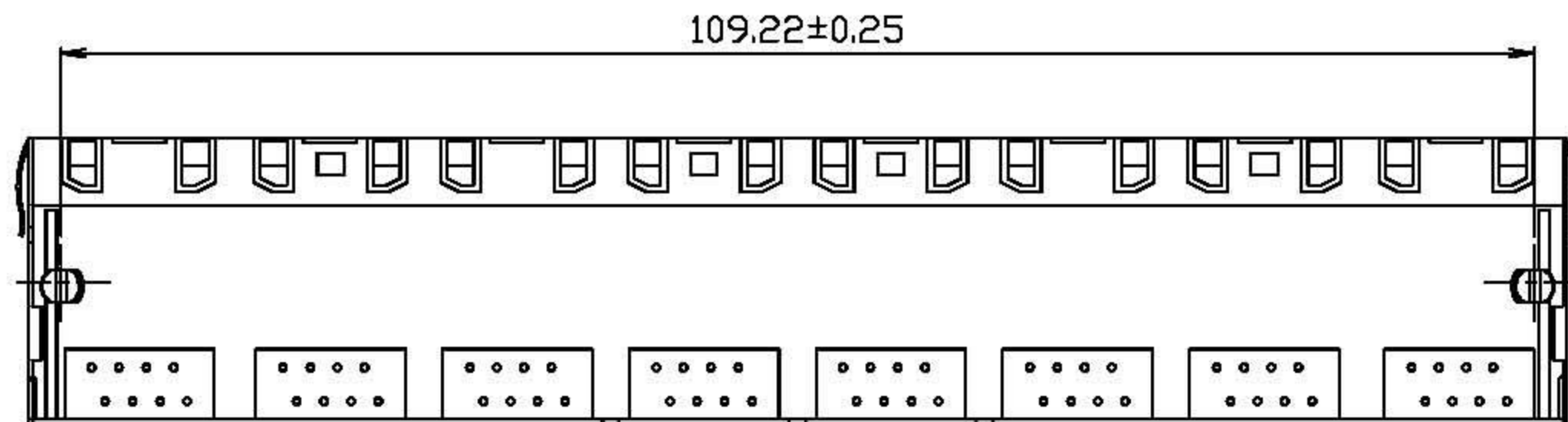
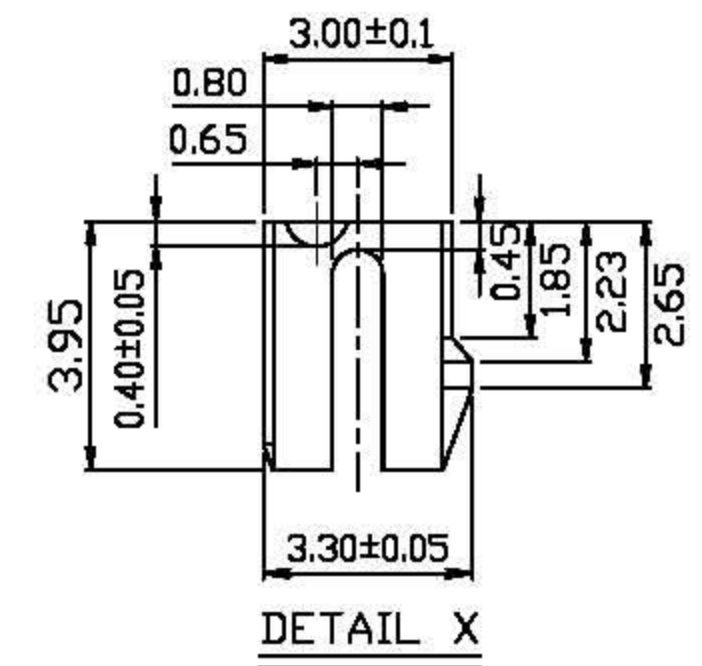
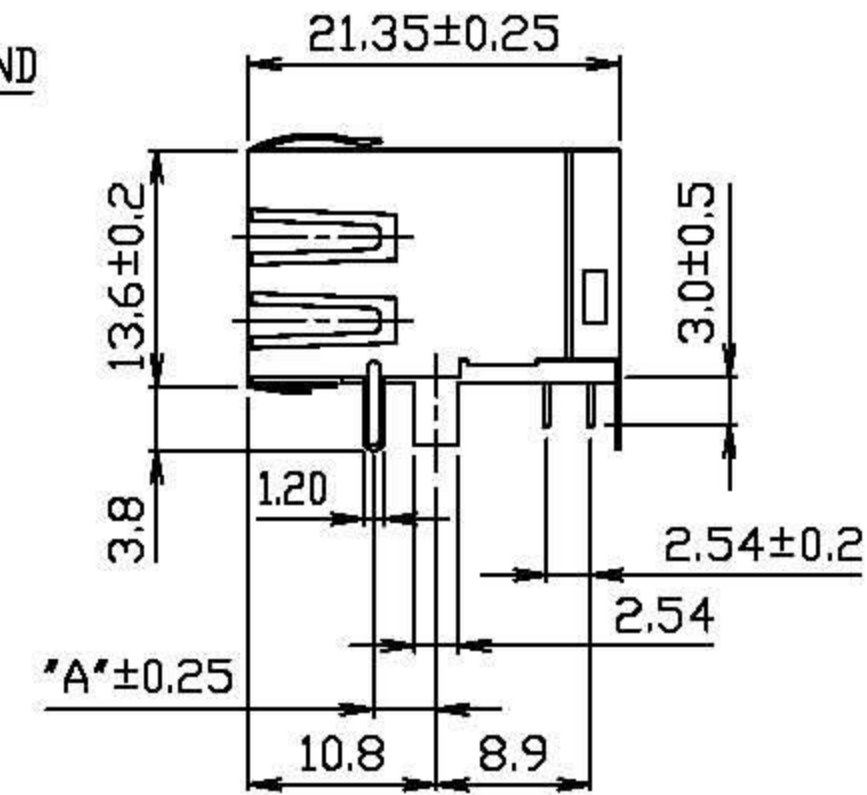
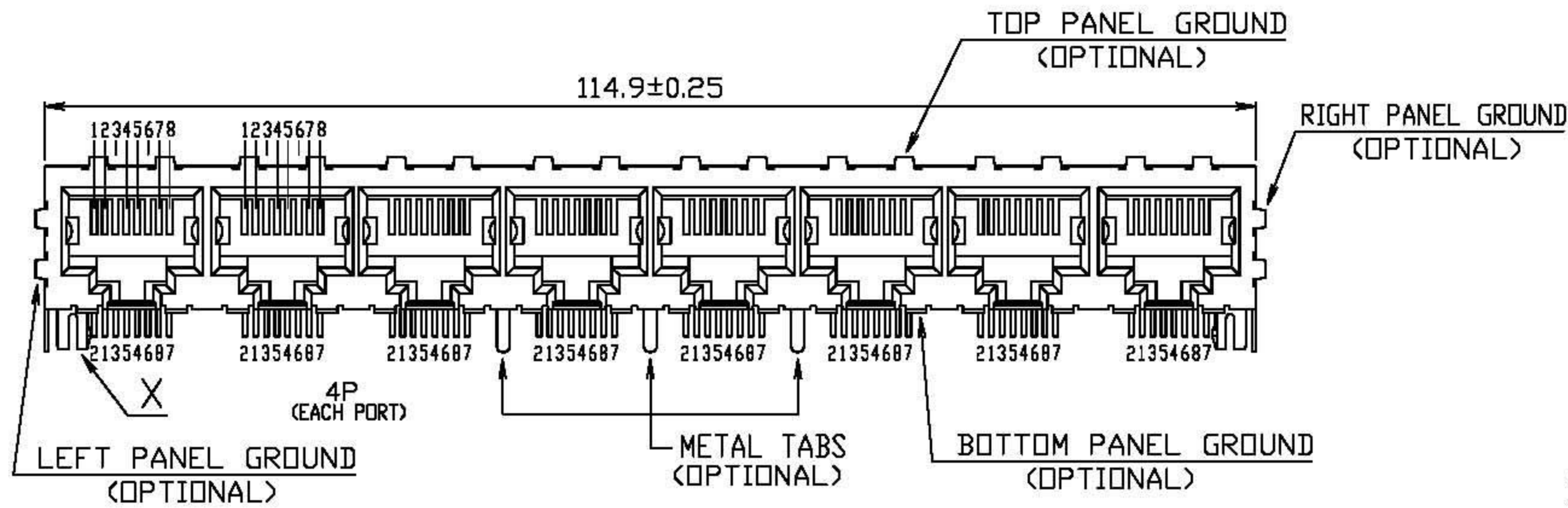


RoHS Compliance



DO NOT SCALE DRAWING	TOLERANCES UNLESS OTHERWISE NOTED	INCH	MM	DR. <i>CIAN.CI.LUO</i>	DATE MAR-10 '09
THIRD ANGLE PROJECTION	LINEAR	MM 00 ± .01 000 ± .005 0000 ± .002	INCH 0.0 ± 0.25 0.00 ± 0.13 0.000 ± 0.05	CK'D <i>M.CHANG</i>	MAR-10 '09
MM INCH	ANGLE ± 0° 30'	RADII	± 0.40 - 0.15	APP'D <i>W.J.YANG</i>	MAR-10 '09

E-YUNG ENTERPRISE CO., LTD.			
TITLE	8 PORTS 8 POSITION SHIELDED SIDE ENTRY PCB GANGED JACK		
SCALE	SIZE	DWG.NO.	REV. SHEET
		974808	1 1