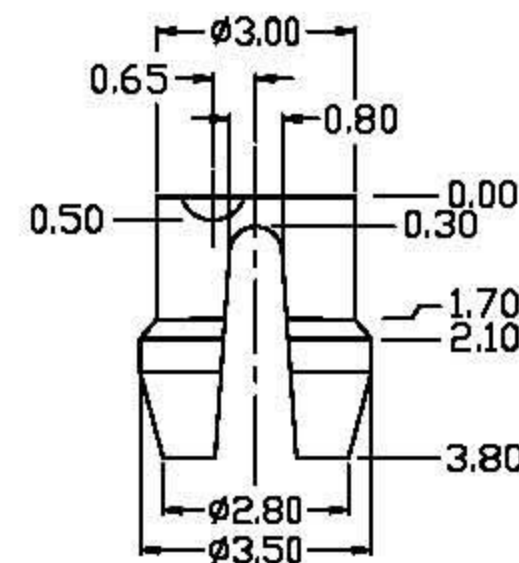
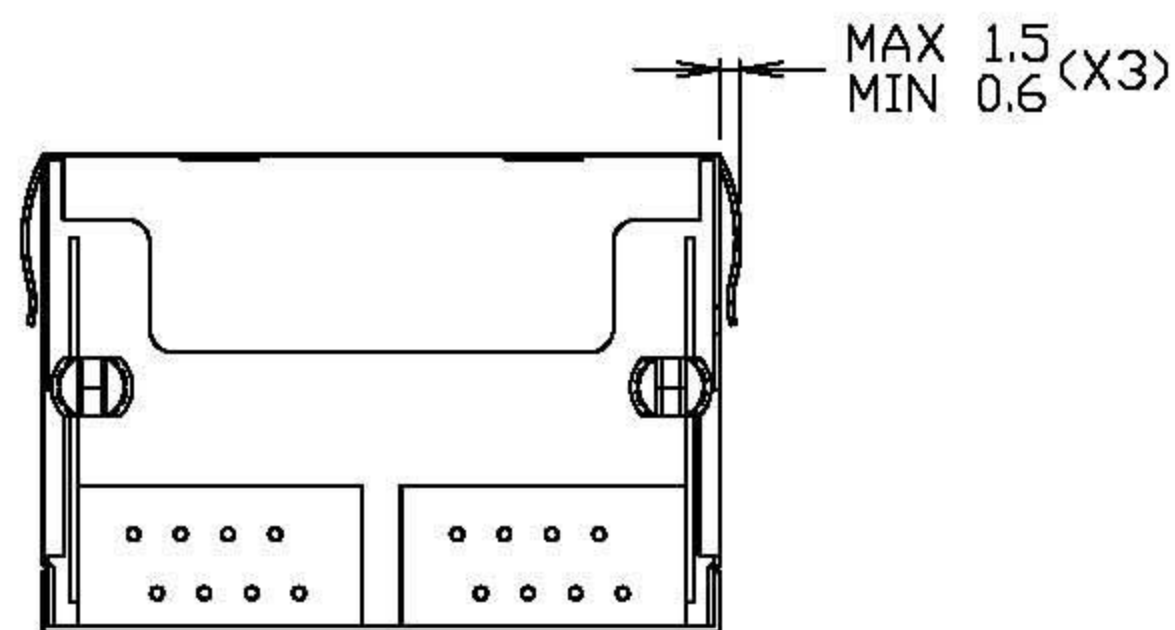
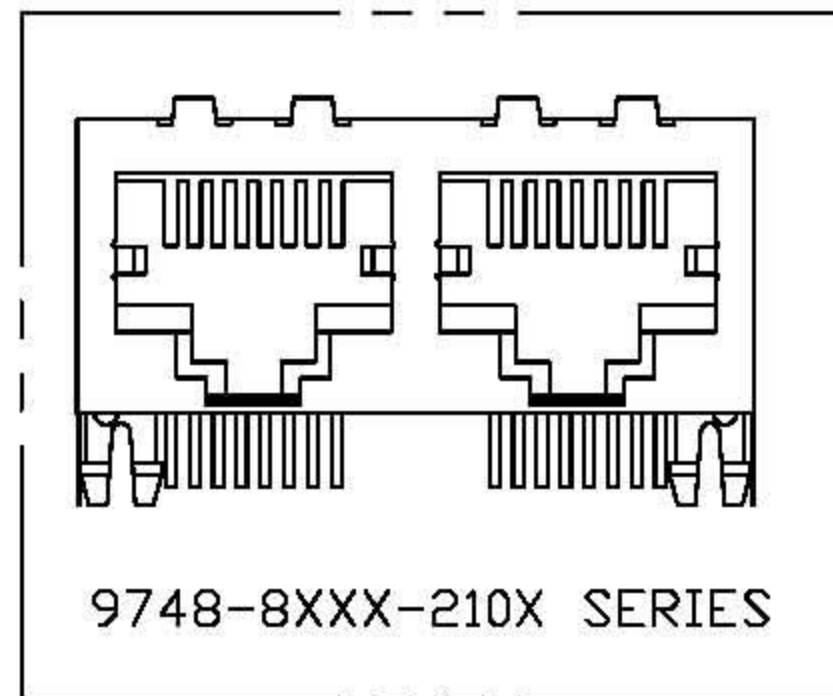
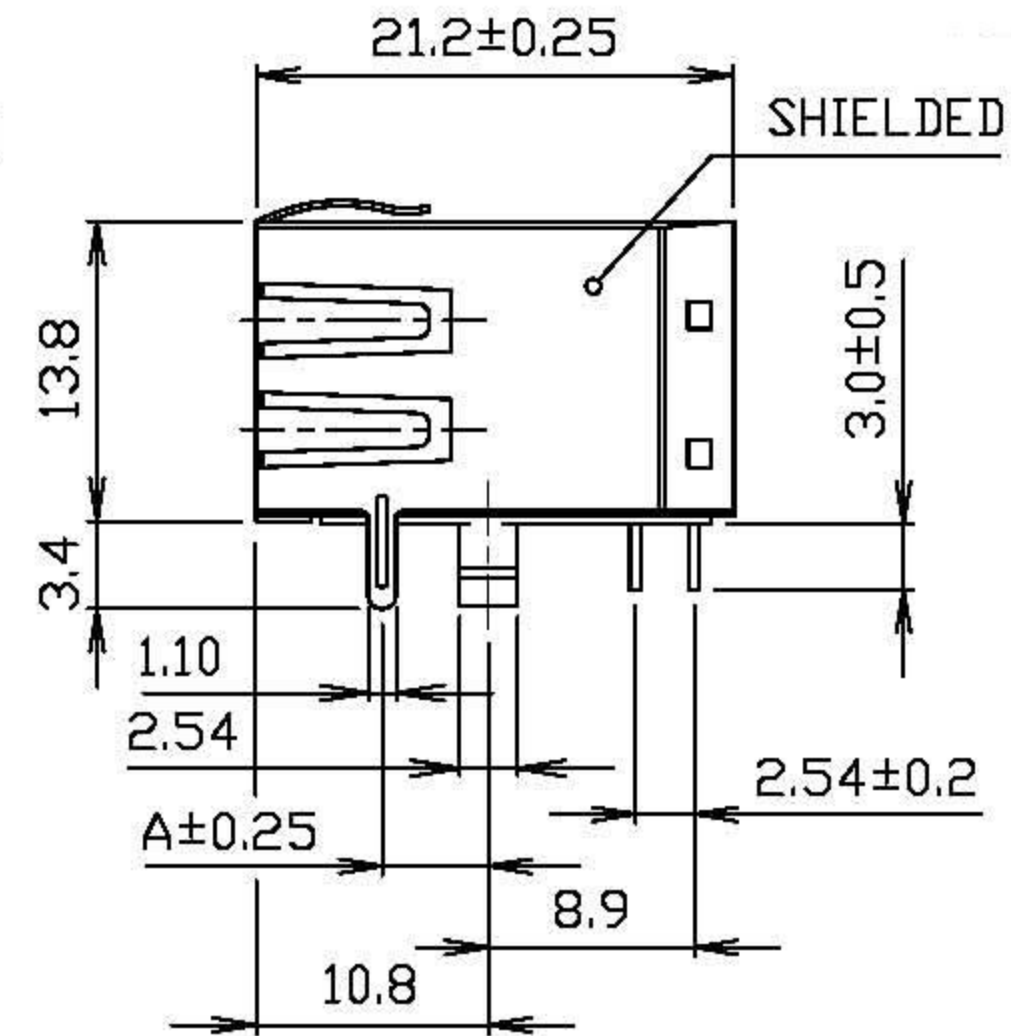
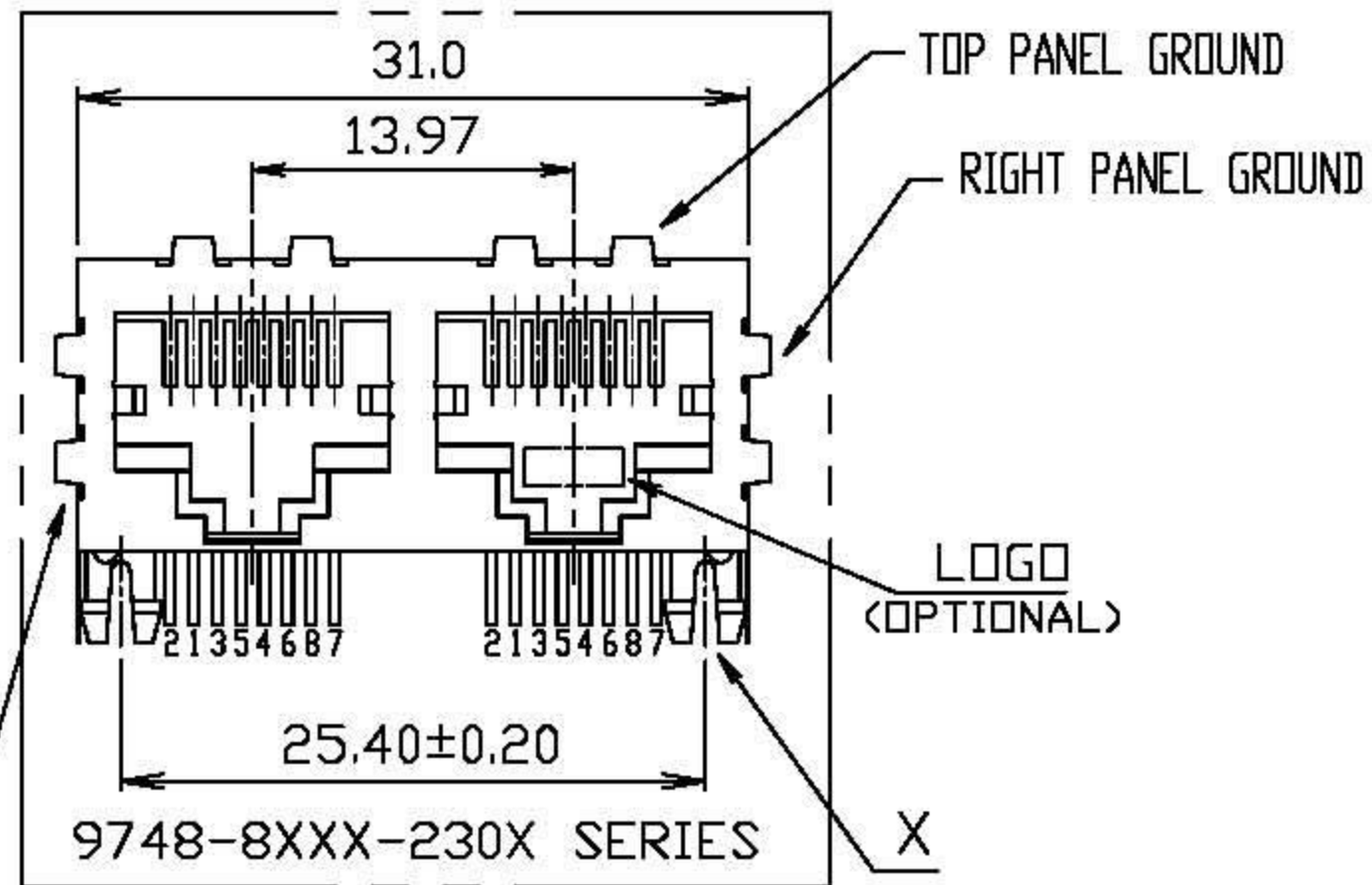
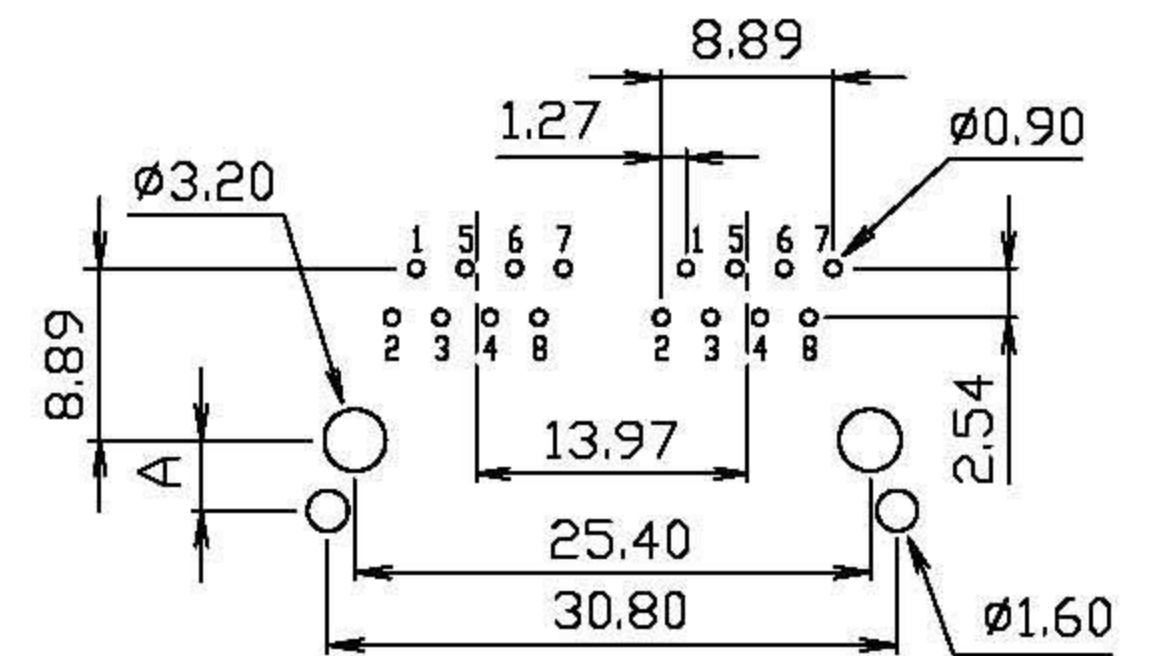


LEFT PANEL GROUND



DETAIL X



PCB LAYOUT Ref.

DO NOT SCALE DRAWING	TOLERANCES UNLESS OTHERWISE NOTED	INCH	MM	DR. <i>M.L.HUANG</i>	DATE APR-15 '05
THIRD ANGLE PROJECTION	LINEAR MM INCH	00 ± .01 000 ± .005 0000 ± .002	0.0 ± 0.25 0.00 ± 0.13 0.000 ± 0.05	CK'D <i>M.CHANG</i>	APR-15 '05
MM INCH	ANGLE ± 0° 30'	RADII	± 0.40 - 0.15	APP'D <i>W.J.YANG</i>	APR-16 '05

E-YUNG ENTERPRISE CO., LTD.

TITLE	2 PORTS, RJ45, SHIELDED SIDE ENTRY PCB GANGED JACK		
SCALE	SIZE	DWG.NO.	REV. SHEET
		974807	1 1