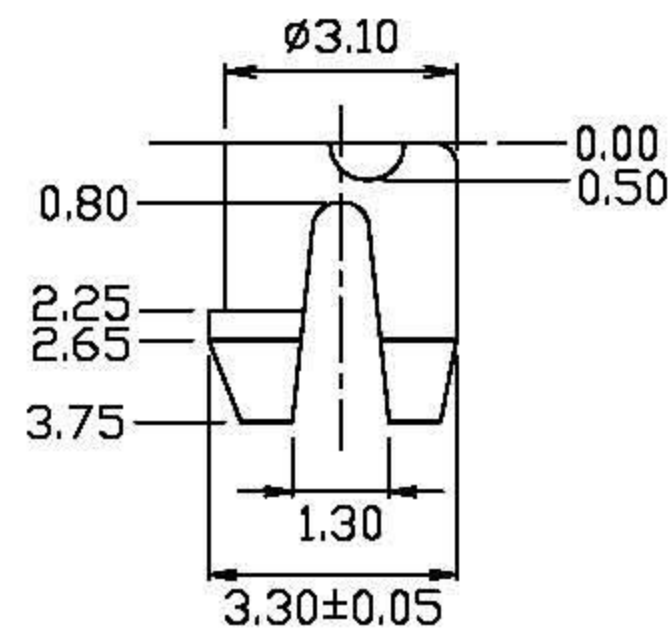
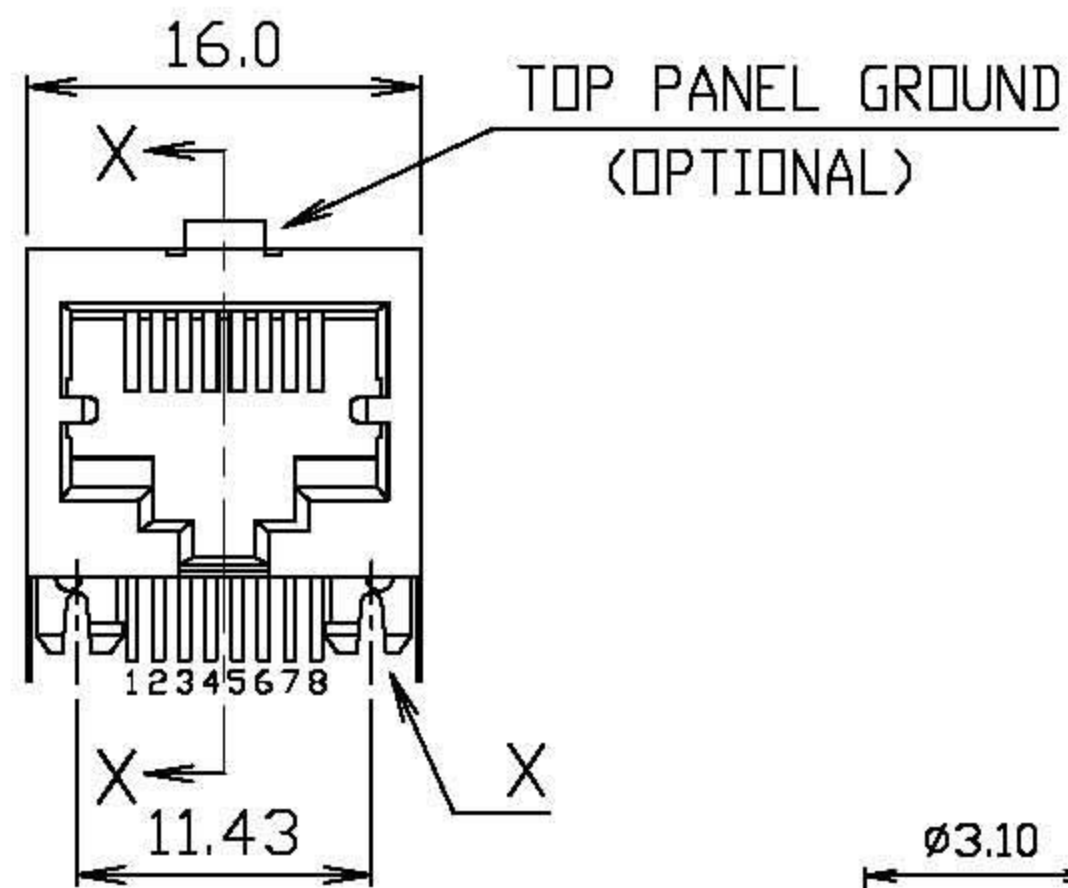
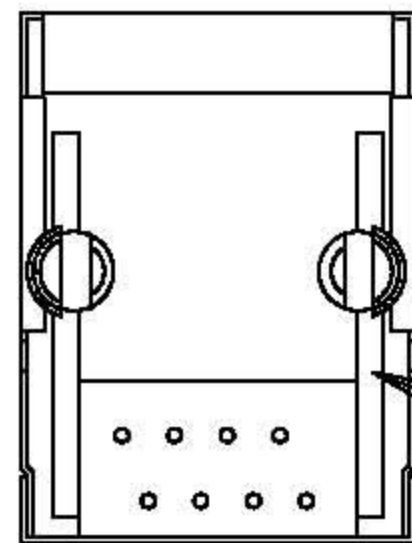


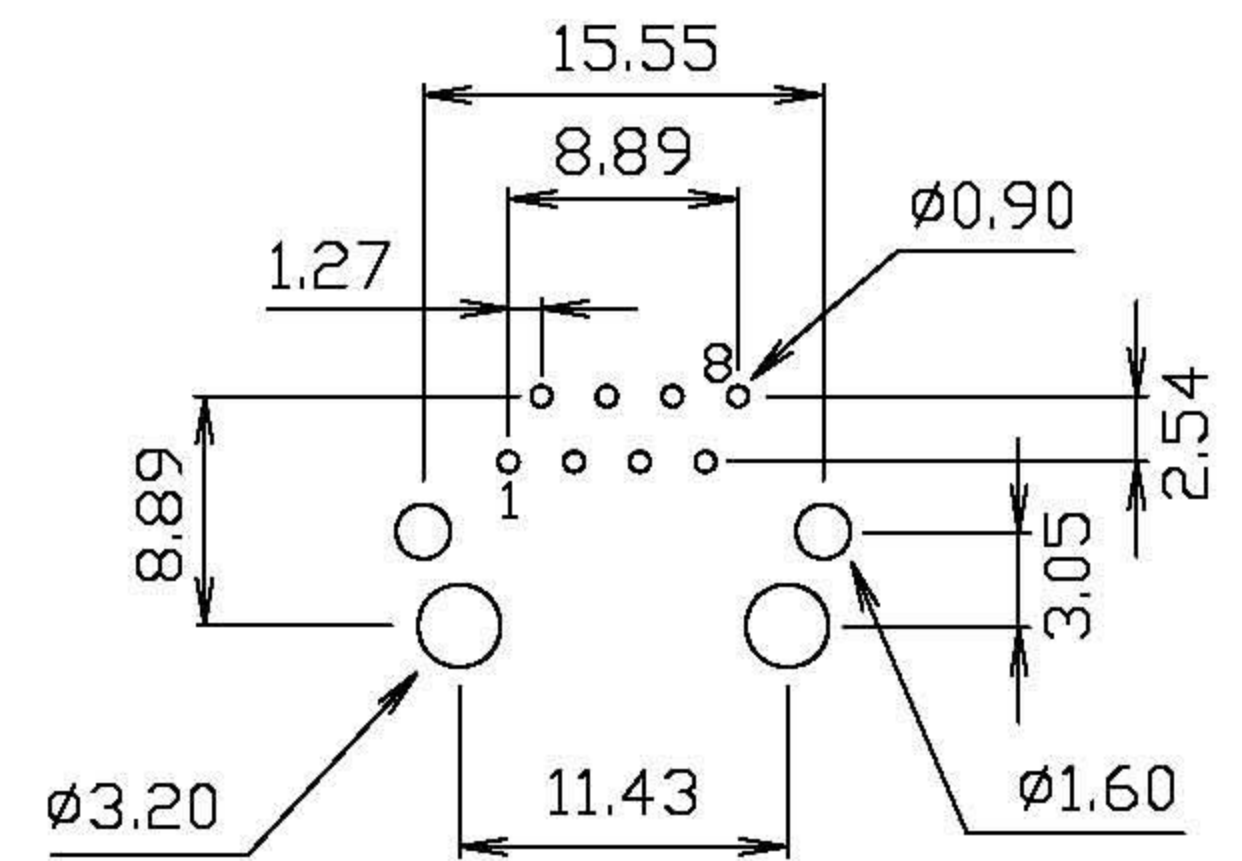
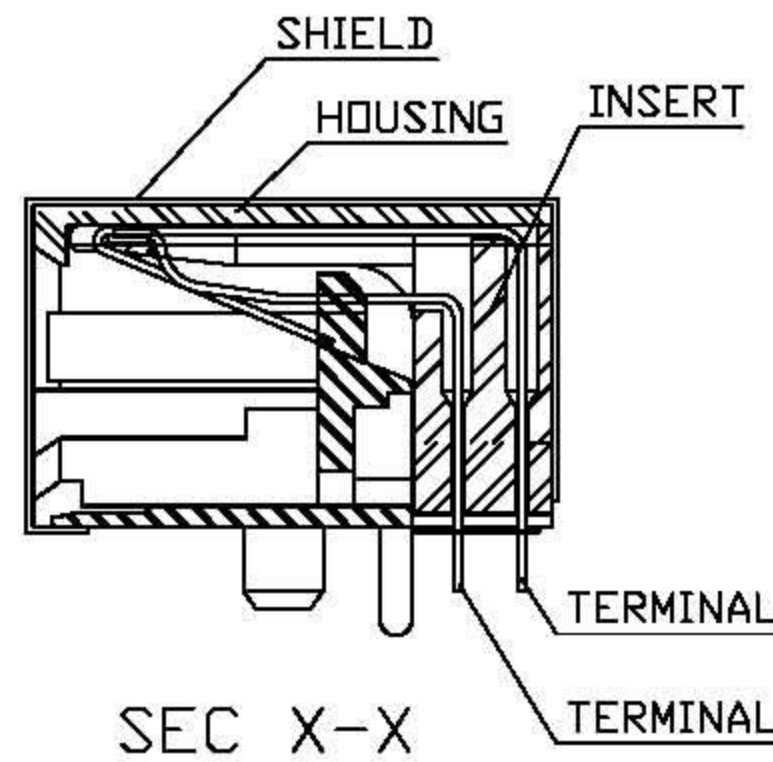
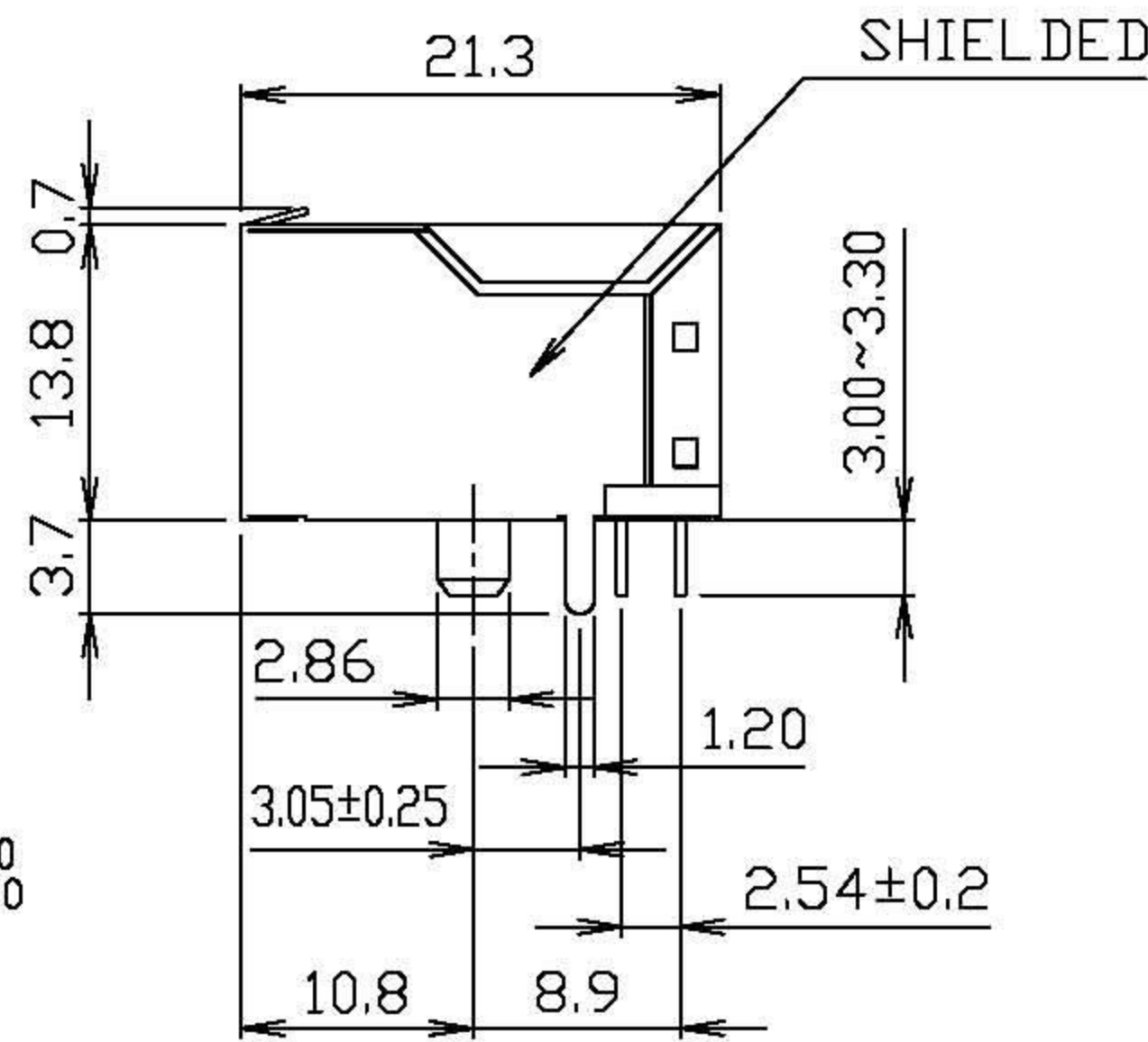
RoHS Compliance



DETAIL X



STAND OFF (H0.5mm)



PC Board Layout Ref.

E-YUNG ENTERPRISE CO., LTD.

DO NOT SCALE DRAWING

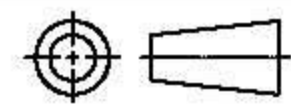
TOLERANCES UNLESS OTHERWISE NOTED

INCH

MM

DR. *M.L.HUANG*

DATE JUL-28 '09



THIRD ANGLE PROJECTION

LINEAR $\frac{\text{MM}}{\text{INCH}}$

00 ± .01
000 ± .005
0000 ± .002

0.0 ± 0.25
0.00 ± 0.13
0.000 ± 0.05

CK'D *M.CHANG*

JUL-28 '09

MM
INCH

ANGLE ± 0° 30'

RADII

+ 0.40
- 0.15

APP'D *W.J.YANG*

JUL-29 '09

TITLE CAT.5 SINGLE PORT 8POSITION SHIELDED SIDE ENTRY PCB JACK

SCALE SIZE DWG.NO. 974717

REV. SHEET 5 1