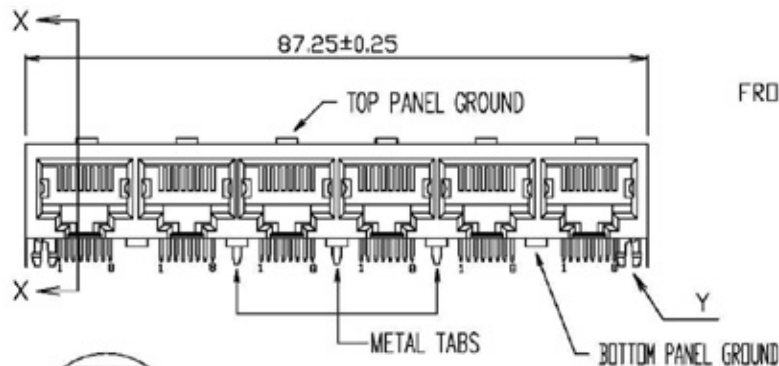
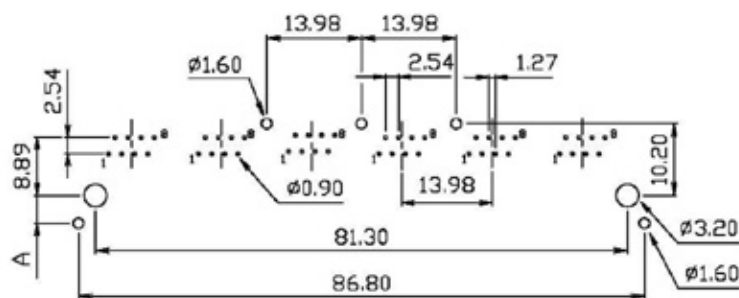
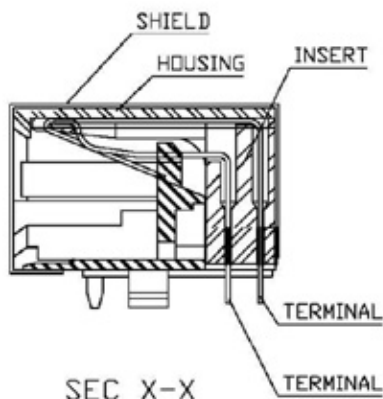
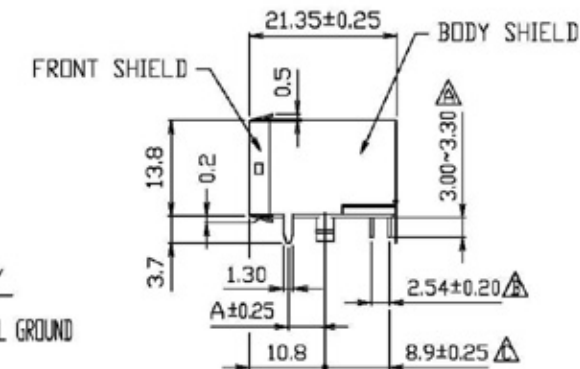
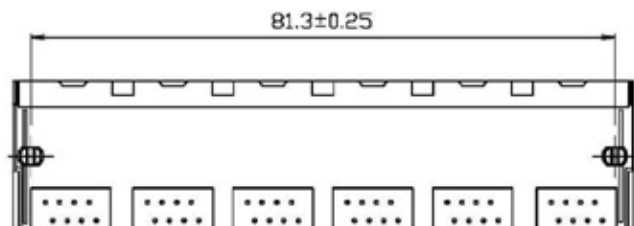


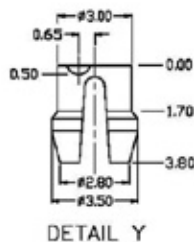
RoHS Compliance



DIAMOND PEGS



PC Board Layout REF.



REVISIONS			
LTR	DESCRIPTION	DATE	APP
\triangle	2.9 ± 0.4	03/09/'00	CHANG
\triangle	2.54 ± 0.25	03/09/'00	CHANG
\triangle	8.9	03/09/'00	CHANG

DO NOT SCALE DRAWING	TOLERANCES UNLESS OTHERWISE NOTED	INCH	MM	DR. CIAN.CI.LUO	DATE FEB-19 '08
	THIRD ANGLE PROJECTION	LINEAR	MM INCH	00 \pm .01 000 \pm .005 0000 \pm .002	0.0 \pm 0.25 0.00 \pm 0.13 0.000 \pm 0.05
MM INCH	ANGLE $\pm 0' 30'$	RADII	± 0.40 0.15	APP'D W.J.YANG	DATE FEB-20 '08

E-YUNG ENTERPRISE CO., LTD.

TITLE	CAT.5 6PORTS BPOSITION SHIELDED SIDE ENTRY PCB GANGED JACK	
SCALE	SIZE DWG.NO.	REV. SHEET
	974709	3 1