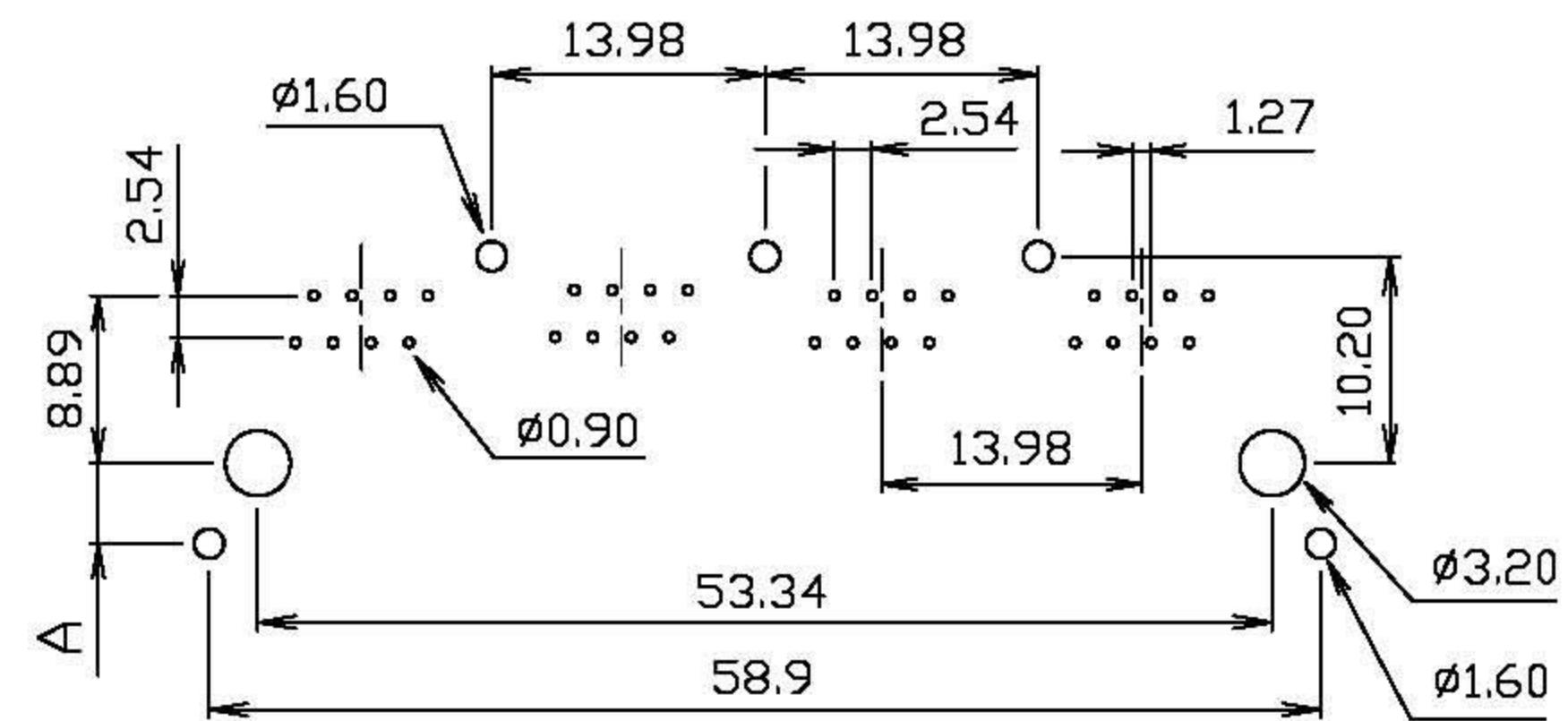
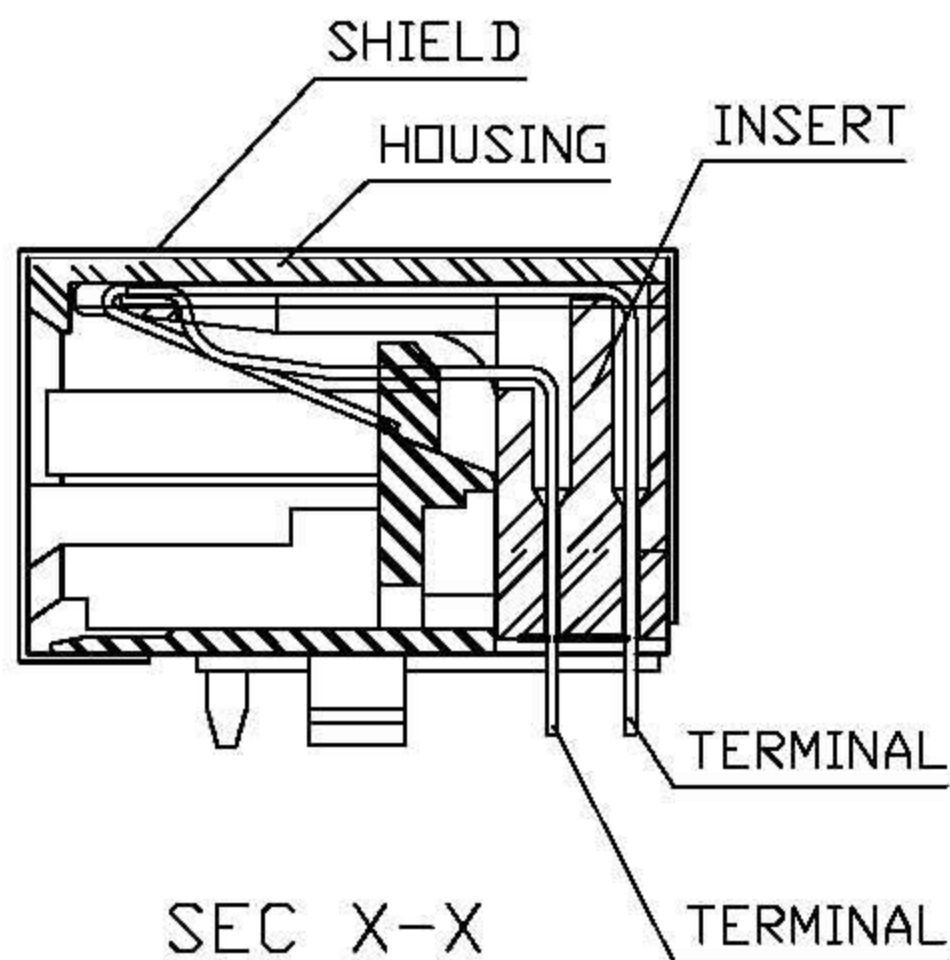
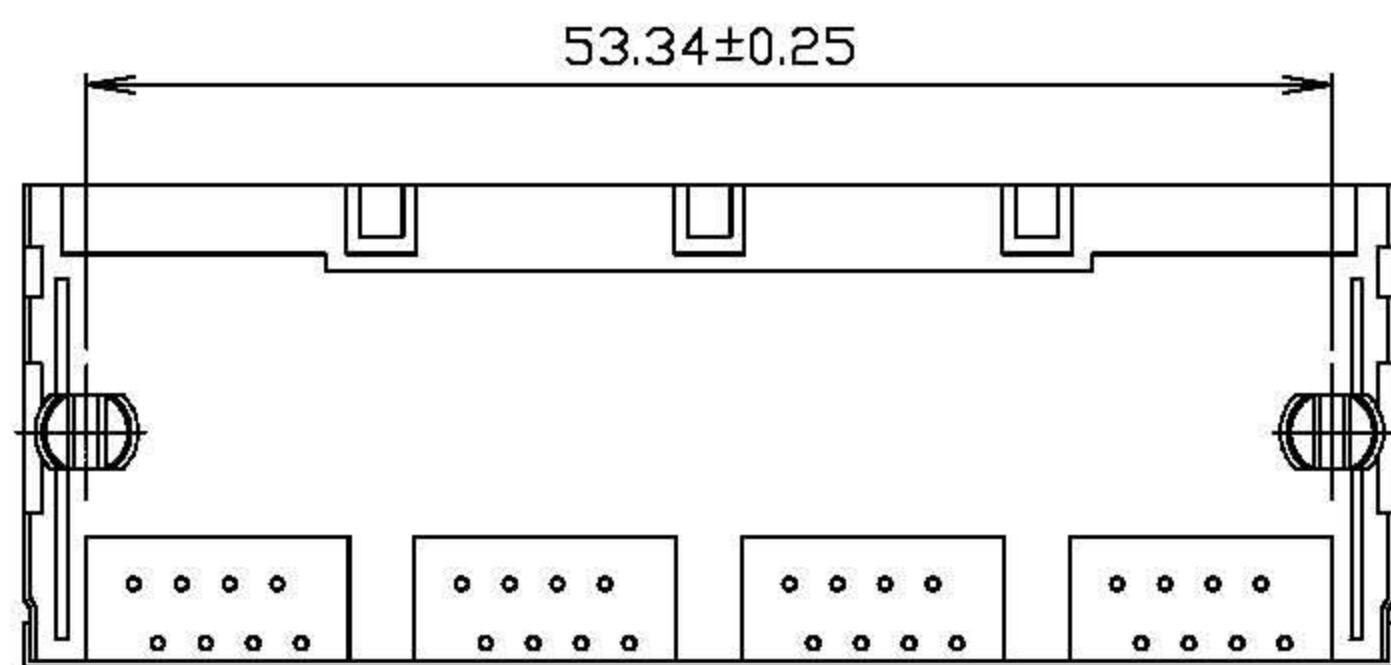
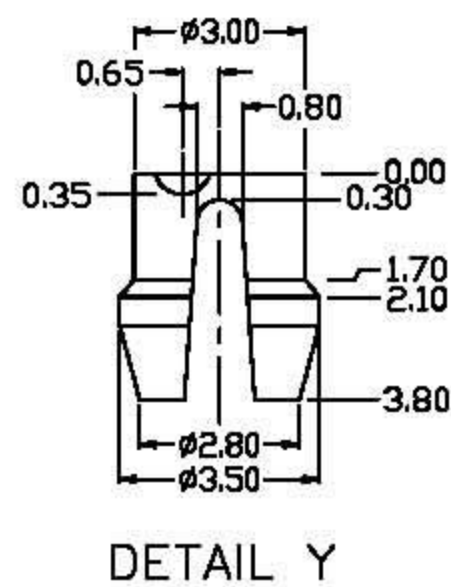


DIAMOND PEGS



PC Board Layout



REVISIONS			
LTR	DESCRIPTION	DATE	APP
△	2.9±0.4	03/09/'00	CHANG
△	2.54±0.25	03/09/'00	CHANG
△	8.9	03/09/'00	CHANG

DO NOT SCALE DRAWING	TOLERANCES UNLESS OTHERWISE NOTED	INCH	MM	DR. M.L.HUANG	DATE SEP-27 '00
THIRD ANGLE PROJECTION	LINEAR	MM 00 ± .01 000 ± .005 0000 ± .002	INCH 0.0 ± 0.25 0.00 ± 0.13 0.000 ± 0.05	CK'D M.CHANG	SEP-27 '00
MM INCH	ANGLE ± 0° 30'	RADII	± 0.40 ± 0.15	APP'D W.J.YANG	OCT-05 '00

E-YUNG ENTERPRISE CO., LTD.

TITLE	CAT.5 4PORTS 8POSITION SHIELDED SIDE ENTRY PCB GANGED JACK			
SCALE	SIZE	DWG.NO.	REV.	SHEET
		974705	2	1