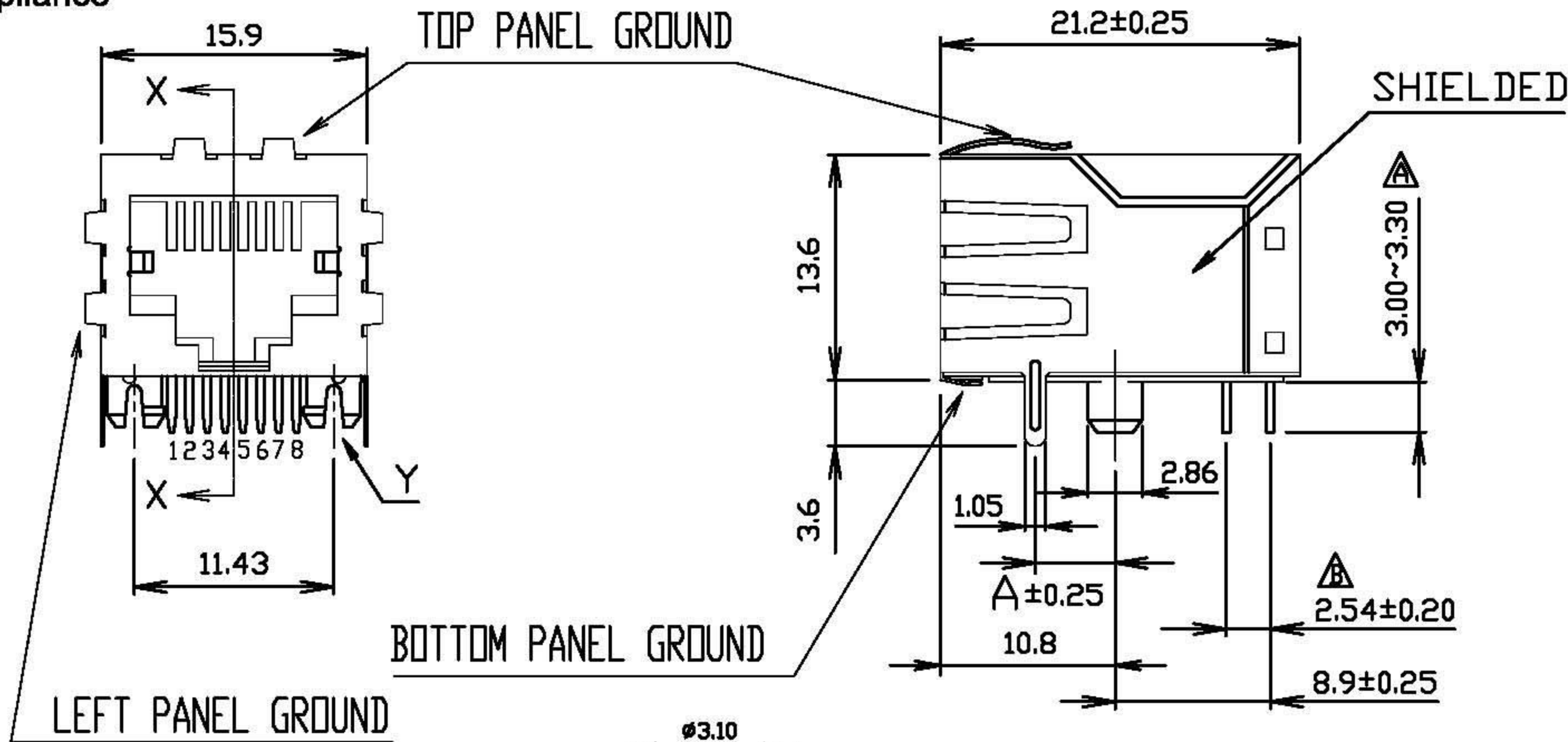


RoHS Compliance

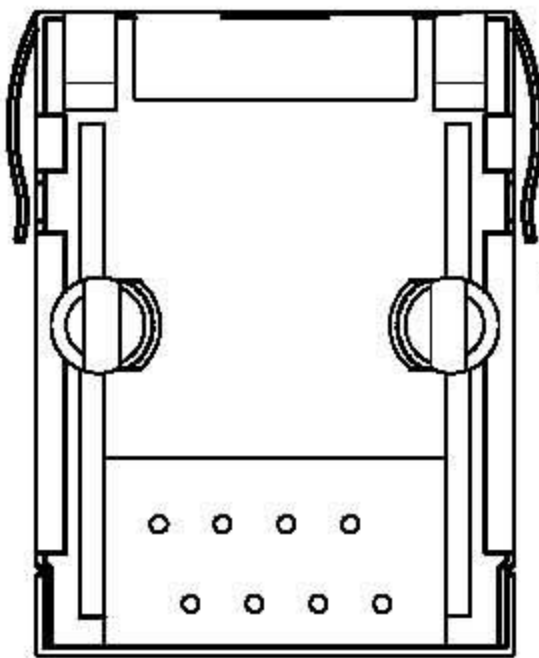


LEFT PANEL GROUND

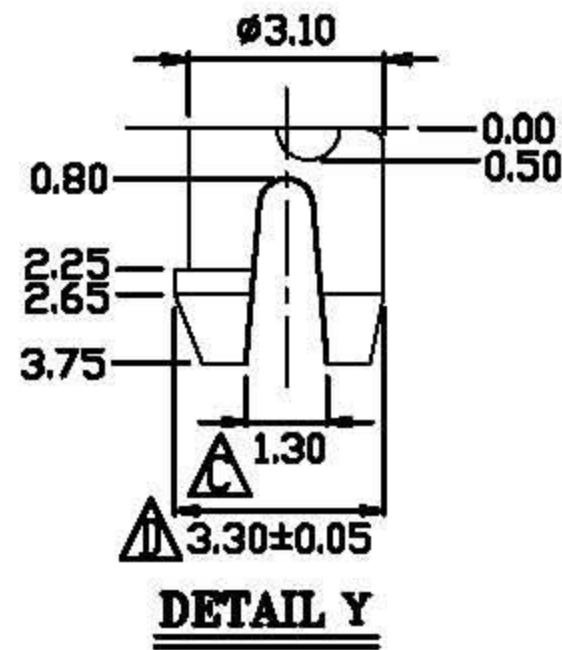
BOTTOM PANEL GROUND

TOP PANEL GROUND

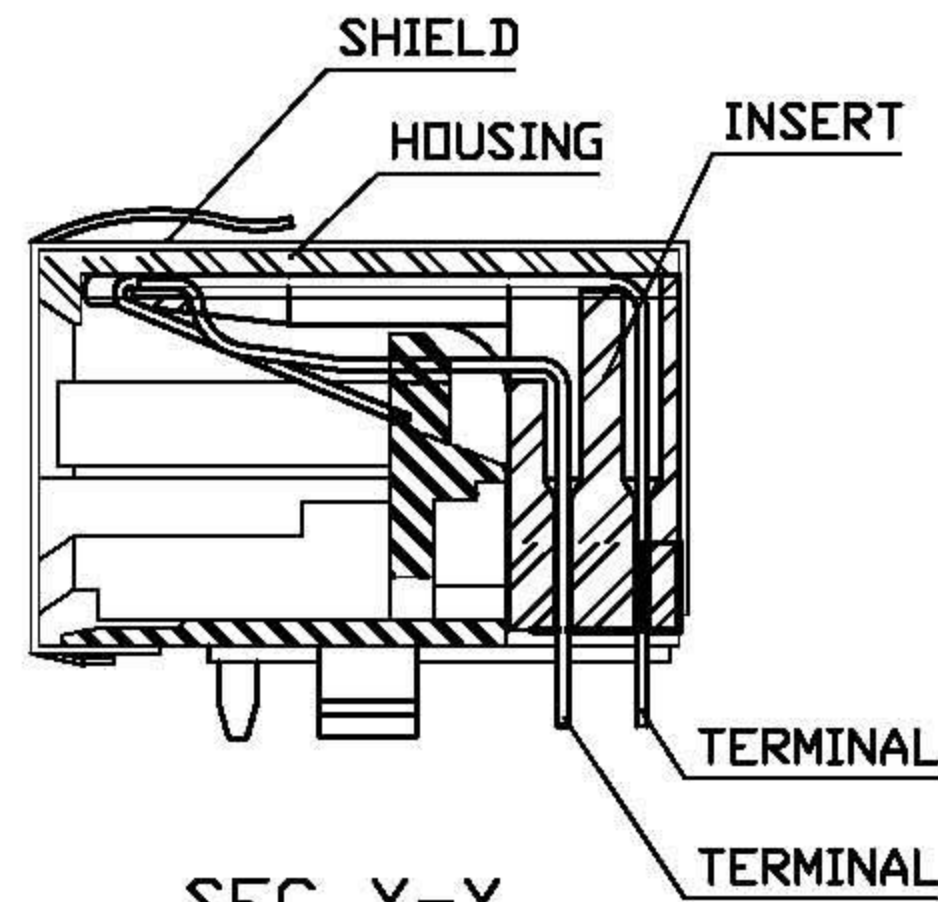
SHIELDED



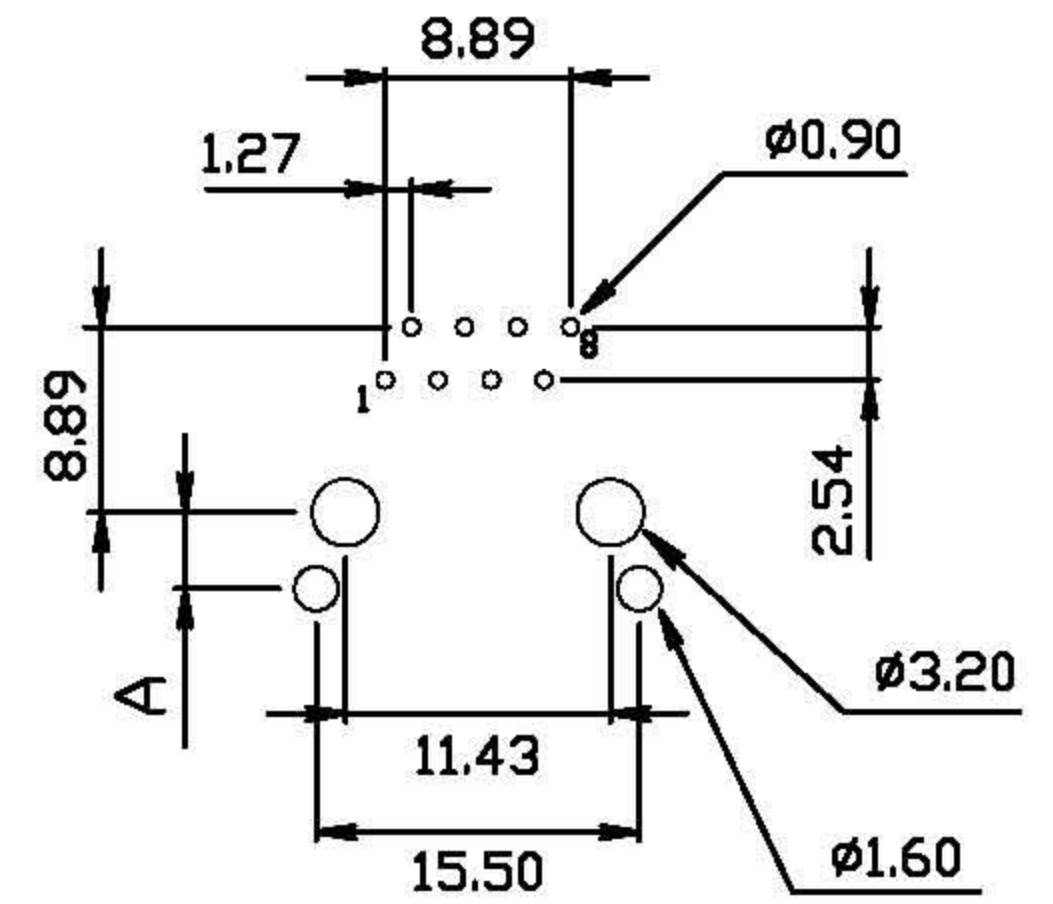
RIGHT PANEL GROUND



DETAIL Y



SEC X-X



PC Board Layout Ref.

REVISIONS

LTR	DESCRIPTION	DATE	APP
△	2.9±0.4	03/09/'00	CHANG
△	2.54±0.25	03/09/'00	CHANG
△	0.80	05/26/'00	CHANG
△	3.33~3.45	05/26/'00	CHANG

DO NOT SCALE DRAWING	TOLERANCES UNLESS OTHERWISE NOTED	INCH	MM	DR. CIAN.CI.LUO	DATE FEB-22 '08
THIRD ANGLE PROJECTION	LINEAR	MM INCH	00 ± .01 000 ± .005 0000 ± .002	CK'D M.CHANG	FEB-22 '08
MM INCH	ANGLE ± 0° 30'	RADII	+ 0.40 - 0.15	APP'D W.J.YANG	FEB-25 '08

E-YUNG ENTERPRISE CO., LTD.

TITLE CAT.5 SINGLE PORT 8POSITION SHIELDED SIDE ENTRY PCB JACK

SCALE SIZE DWG.NO. 974701 REV. SHEET 4 1