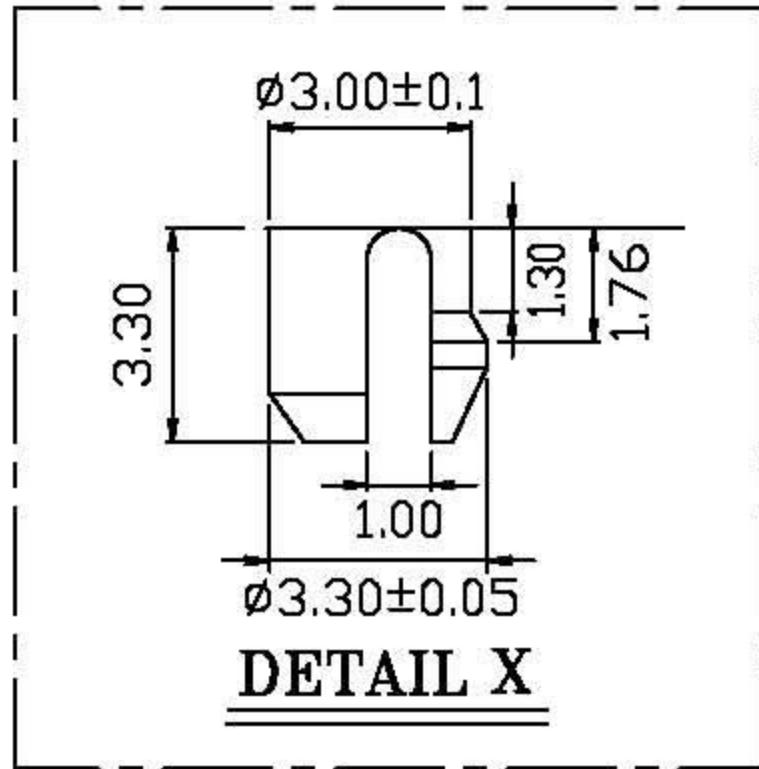
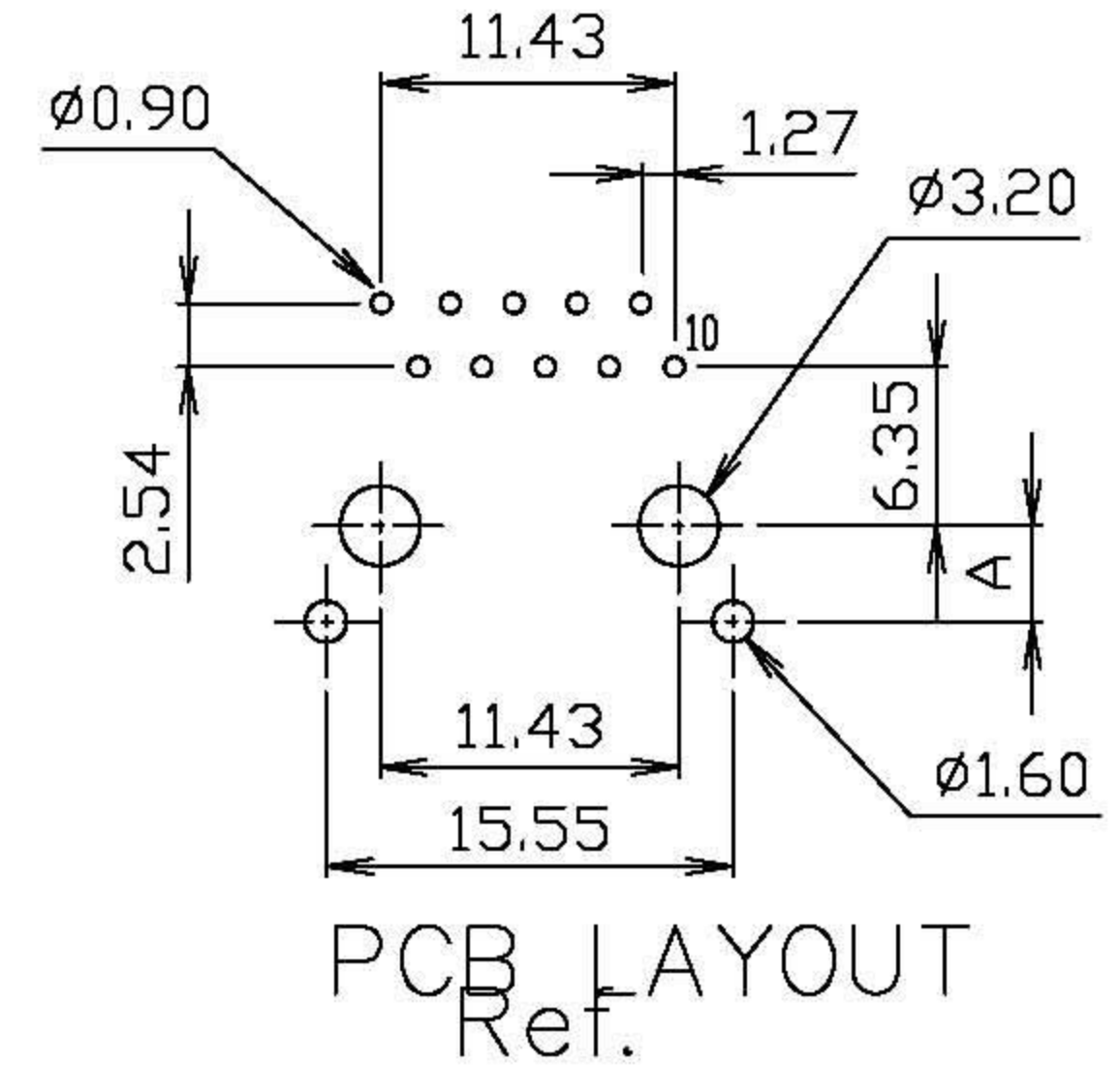
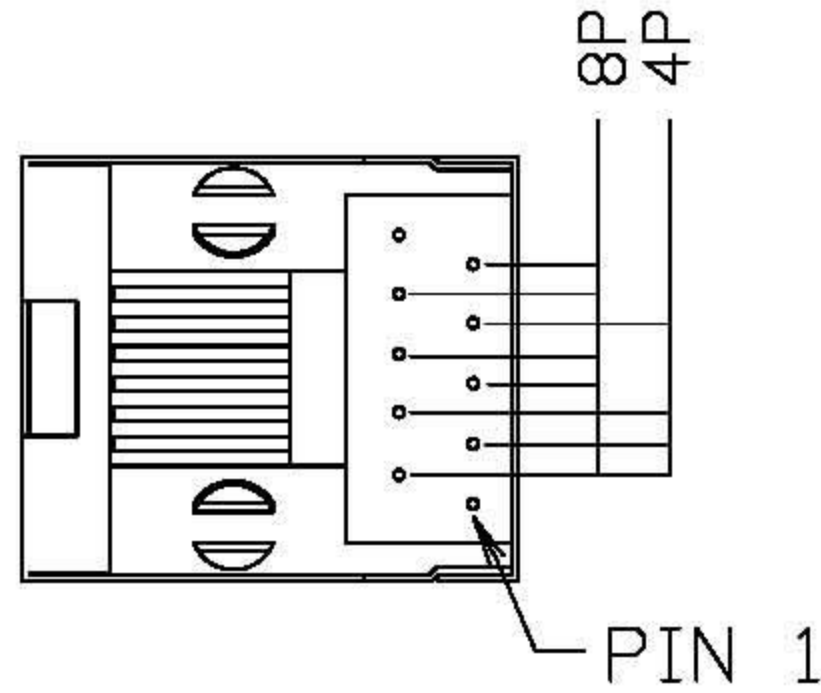
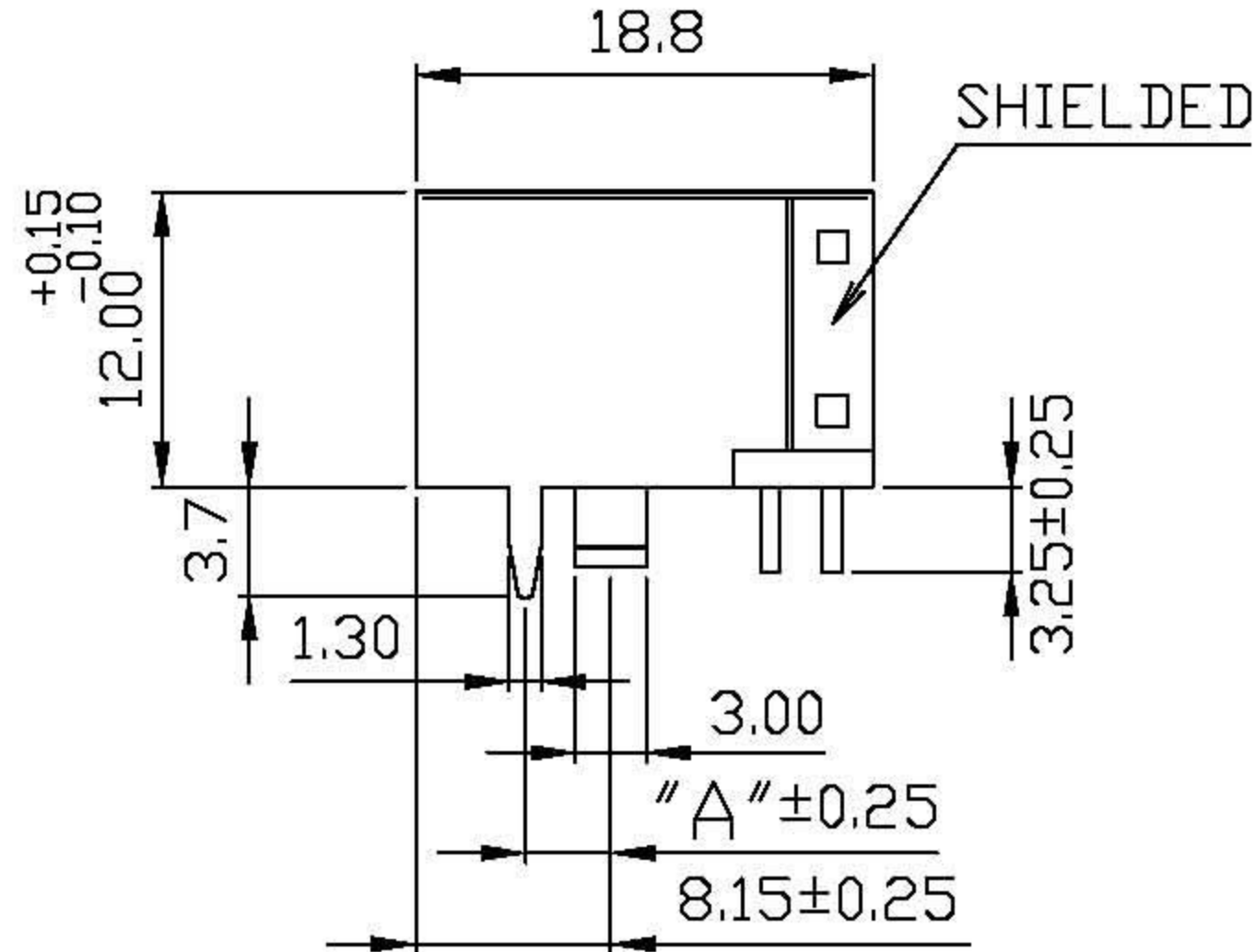
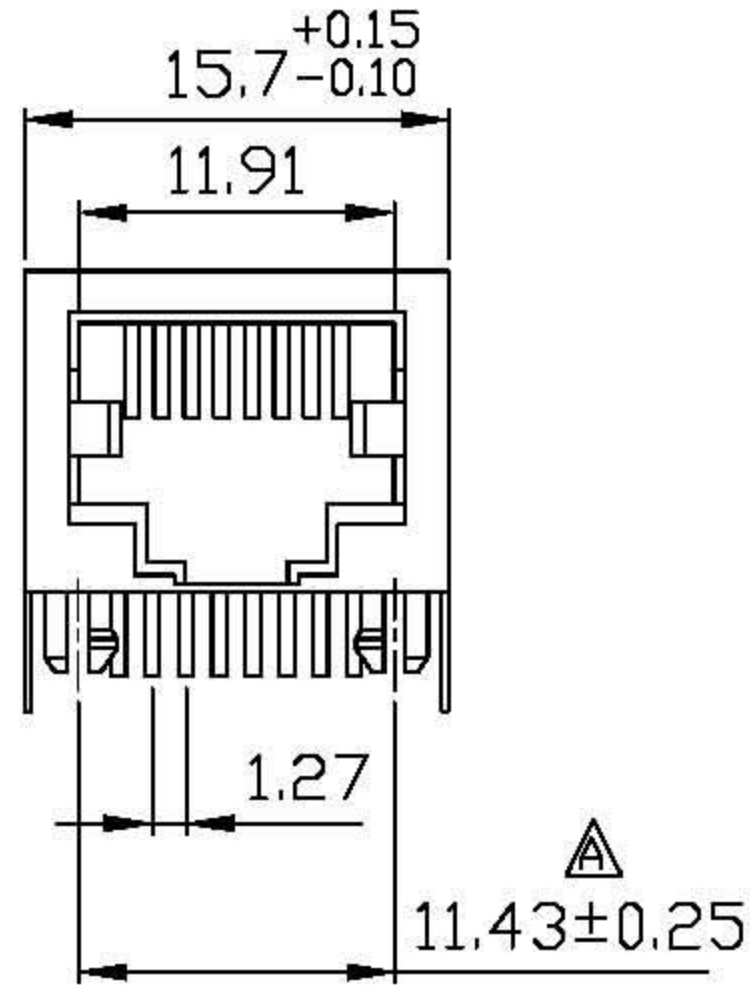


RoHS Compliance



REVISIONS			
LTR	DESCRIPTION	DATE	APP
△	CAR 11.43	01/22/09	CHANG

DO NOT SCALE DRAWING

TOLERANCES UNLESS OTHERWISE NOTED

INCH

MM

DR.

CIAN.CI.LUO

DATE

FEB-24 '09

E-YUNG ENTERPRISE CO., LTD.

THIRD ANGLE PROJECTION

LINEAR  $\frac{\text{MM}}{\text{INCH}}$

00 ± .01  
000 ± .005  
0000 ± .002

0.0 ± 0.25  
0.00 ± 0.13  
0.000 ± 0.05

CK'D

M. CHANG

FEB-24 '09

TITLE 10 & 8 POSITION SIDE ENTRY  
VERY LOW PROFILE, SHIELDED PCB JACK

MM  
INCH

ANGLE ± 0° 30'

RADII

+ 0.40  
- 0.15

APP'D

W.J. YANG

FEB-24 '09

SCALE SIZE DWG.NO.

974401

REV.

5

SHEET

1