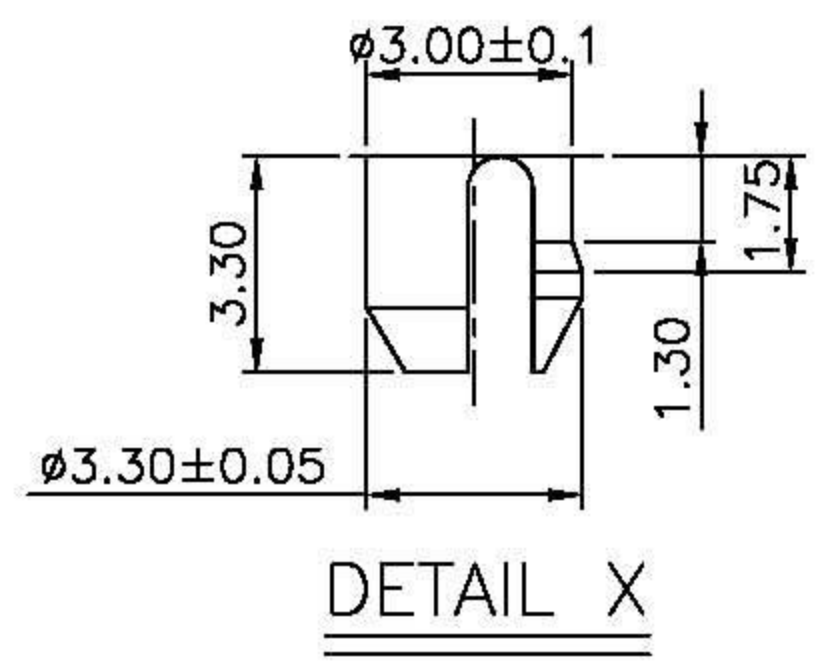
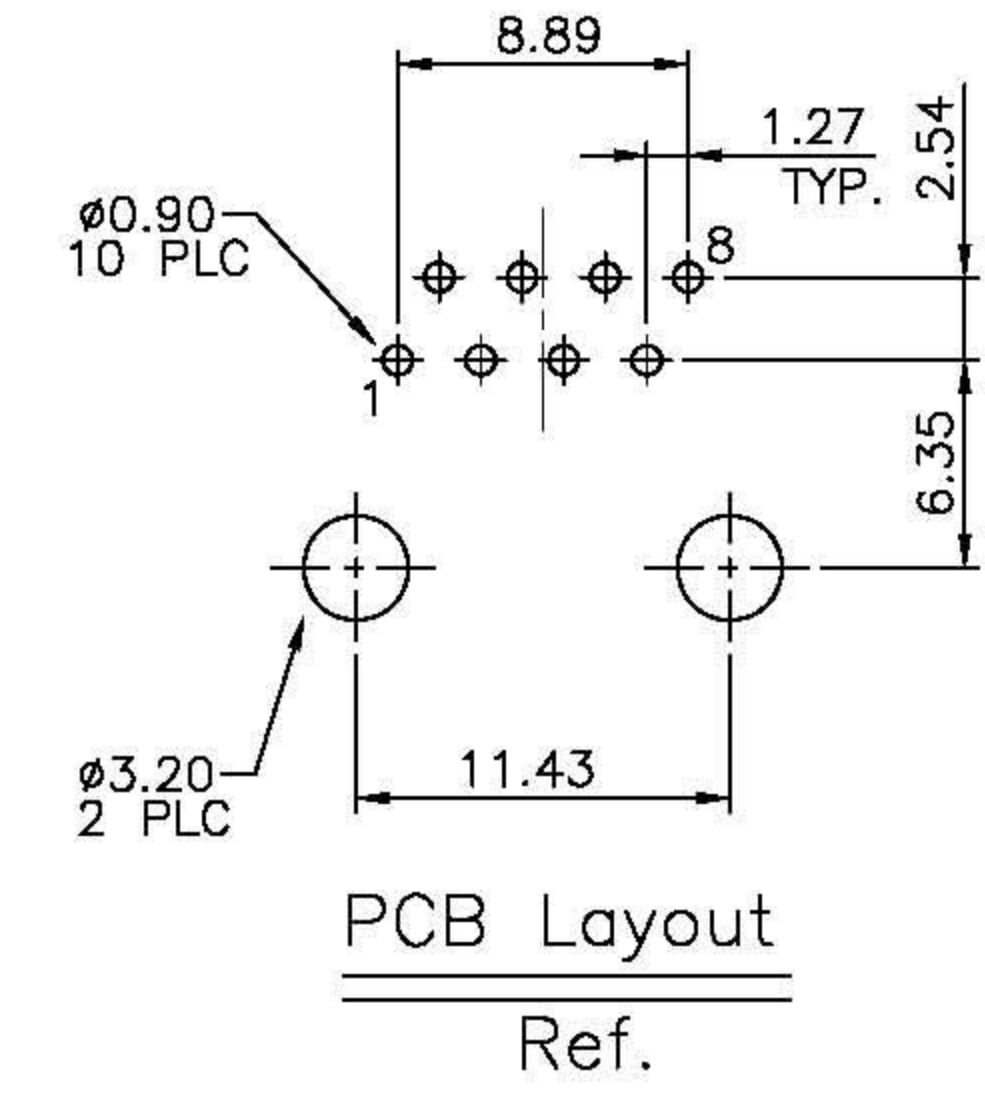
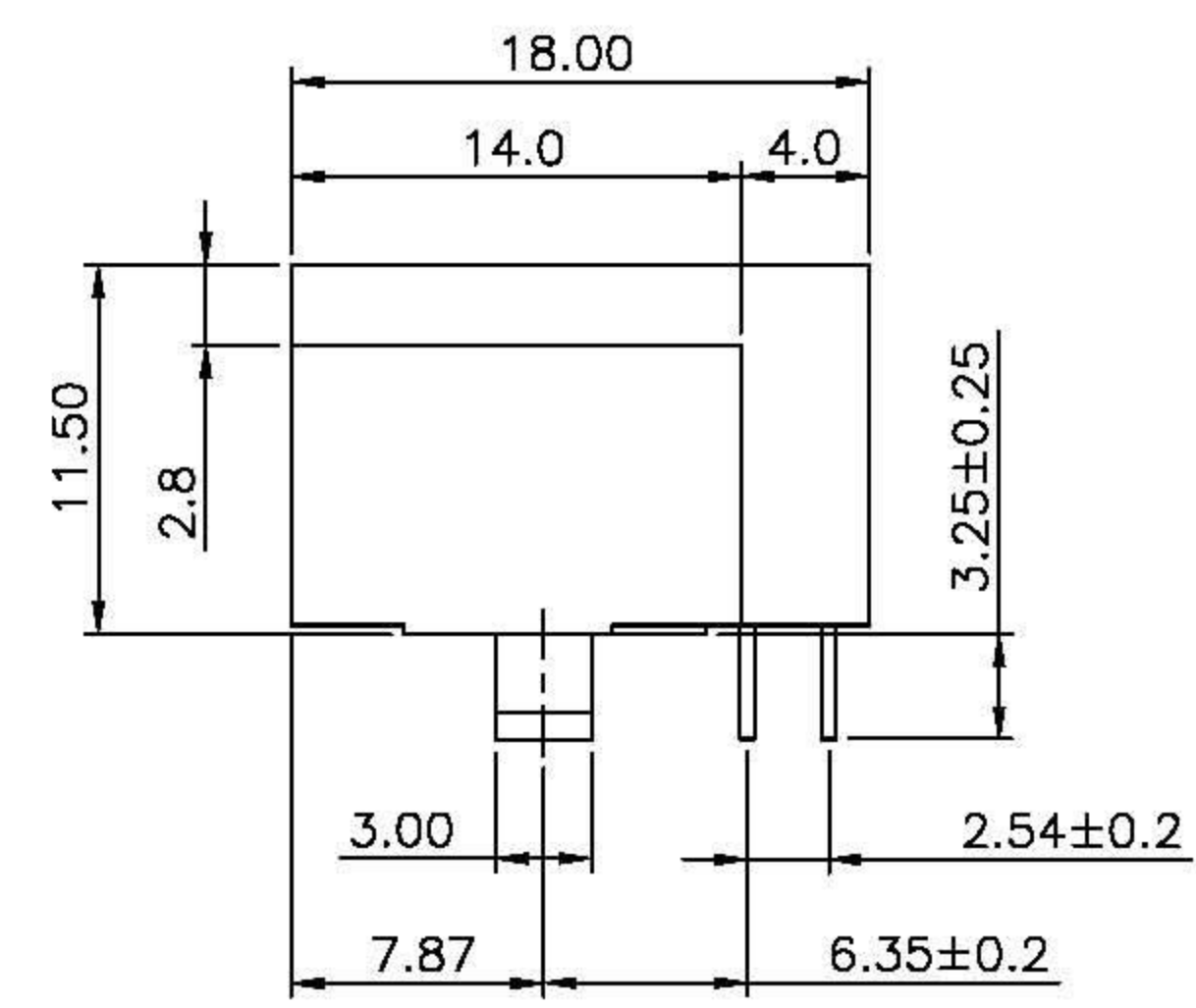
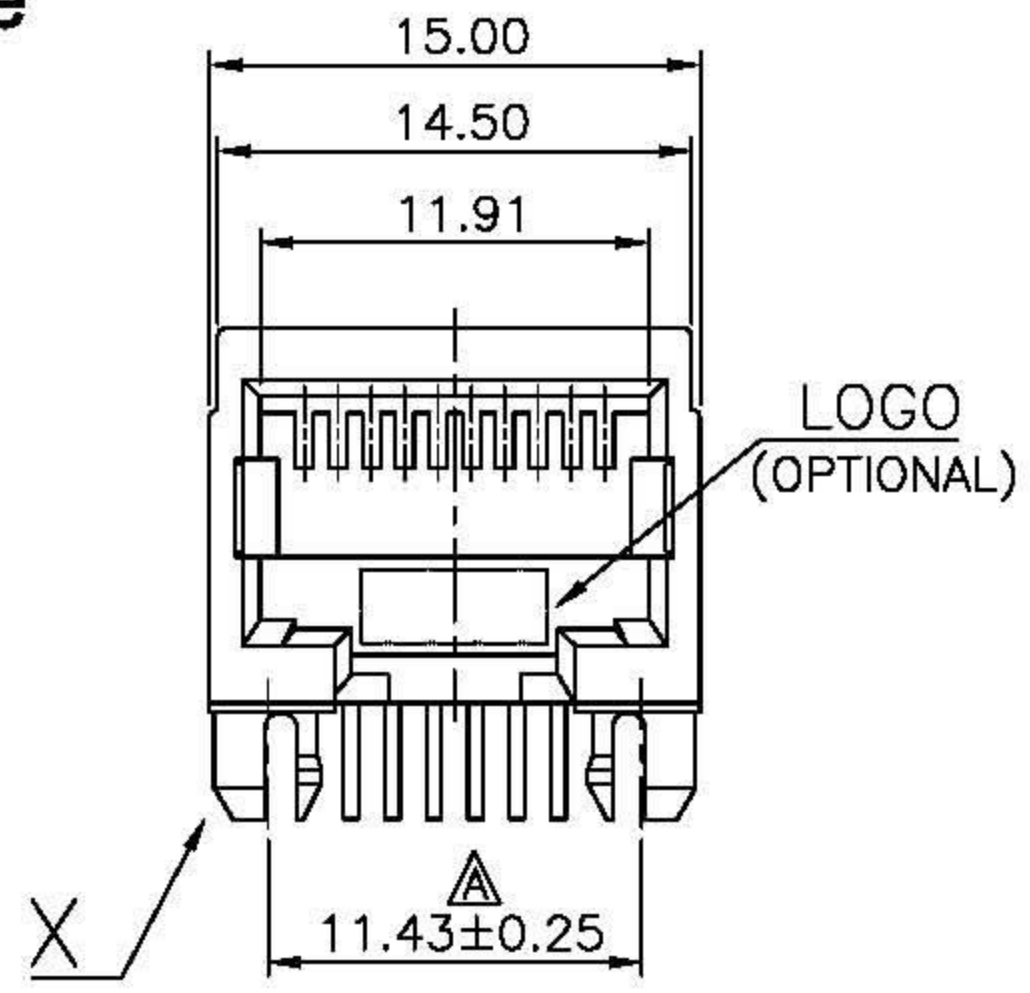
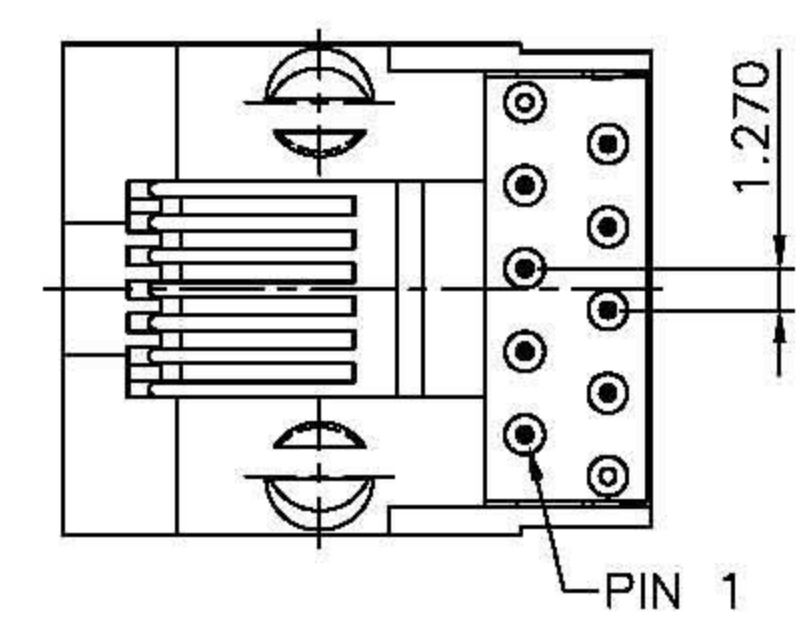


# RoHS Compliance



REVISIONS			
LTR	DESCRIPTION	DATE	APP
△	CAR 11.43	01/22/'09	CHANG



DO NOT SCALE DRAWING	TOLERANCES UNLESS OTHERWISE NOTED	INCH	MM	DR. <i>CIAN.CI.LUO</i>	DATE FEB-24 '09
THIRD ANGLE PROJECTION	LINEAR	MM INCH	00 ± .01 000 ± .005 0000 ± .002	CK'D <i>M.CHANG</i>	FEB-24 '09
MM INCH	ANGLE ± 0° 30'	RADII	+ 0.40 - 0.15	APP'D <i>W.J.YANG</i>	FEB-24 '09

**E-YUNG ENTERPRISE CO., LTD.**

TITLE: 8POSITION, SIDE ENTRY  
VERY LOW PROFILE, SHIELDLESS PCB JACK

SCALE	SIZE	DWG.NO.	REV.	SHEET
		974310	2	1