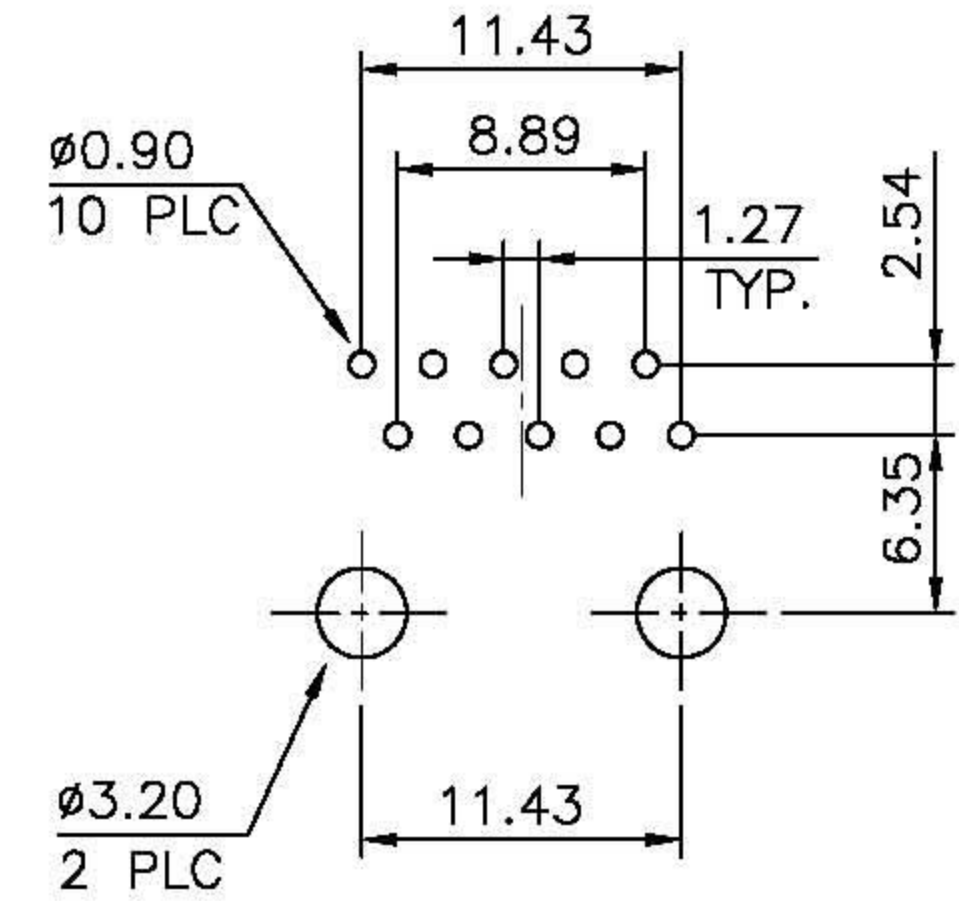
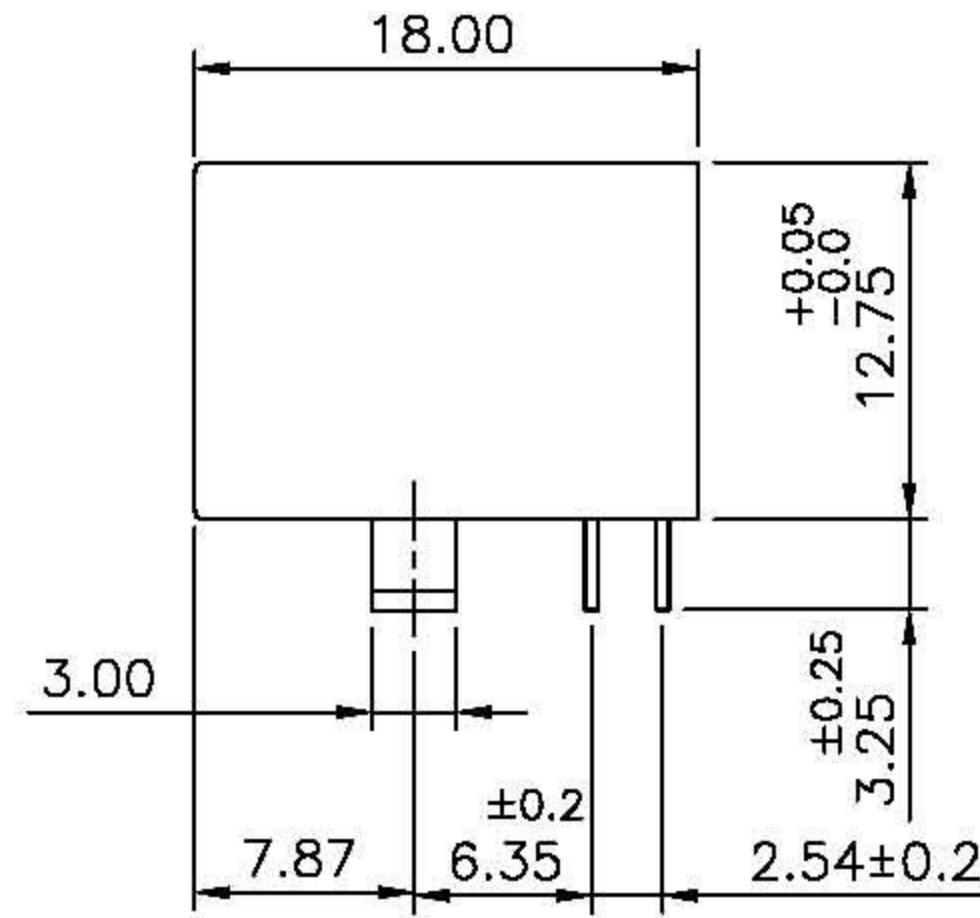
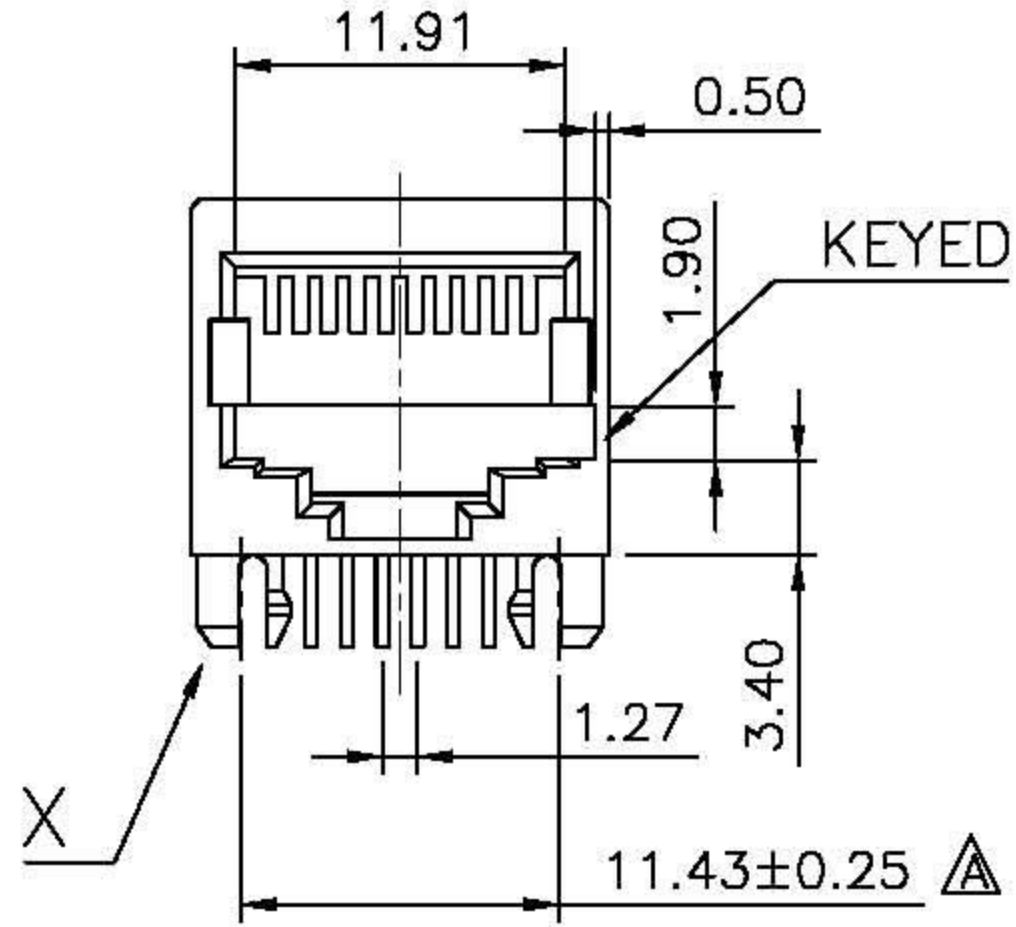
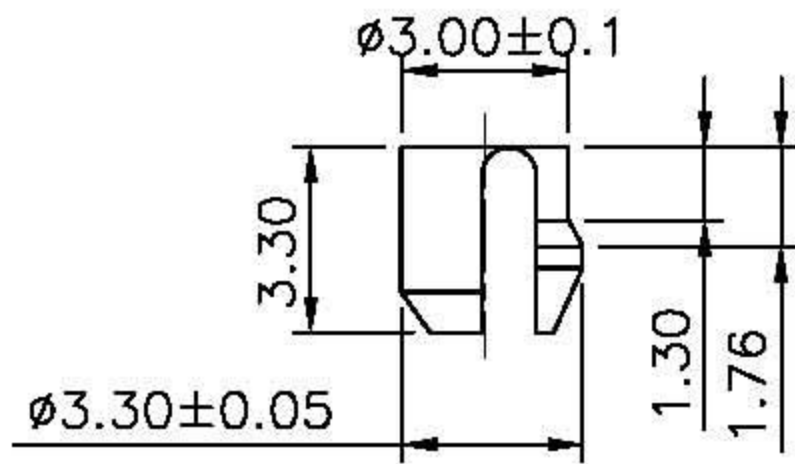


RoHS Compliance

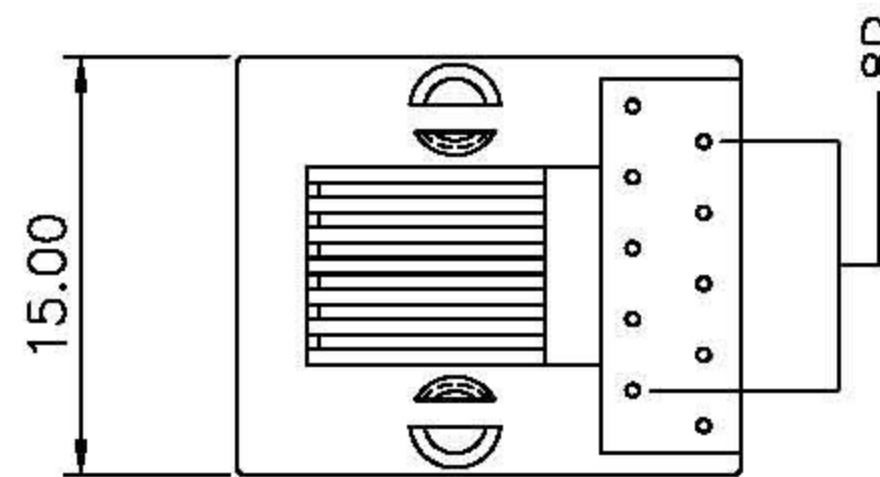


PCB Layout
Ref.

REVISIONS			
LTR	DESCRIPTION	DATE	APP
△	CAR 11.43	01/22/'09	CHANG



DETAIL X



DO NOT SCALE
DRAWING

TOLERANCES UNLESS
OTHERWISE NOTED

INCH

MM

DR.

DATE

CIAN.CI.LUO

FEB-24 '09

E-YUNG ENTERPRISE CO., LTD.

THIRD ANGLE PROJECTION

LINEAR $\frac{\text{MM}}{\text{INCH}}$

00 ± .01
000 ± .005
0000 ± .002

0.0 ± 0.25
0.00 ± 0.13
0.000 ± 0.05

CK'D

M.CHANG

FEB-24 '09

TITLE 10 & 8POSITION SIDE ENTRY
VERY LOW PROFILE, SHIELDLESS PCB JACK

MM
INCH

ANGLE ± 0° 30'

RADII

+ 0.40
- 0.15

APP'D

W.J.YANG

FEB-24 '09

SCALE SIZE DWG.NO.

974309

REV.

4

SHEET

1