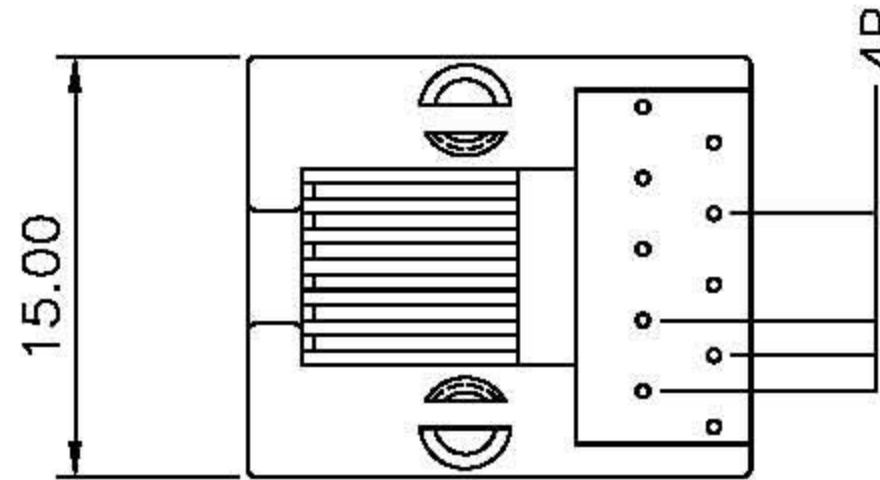
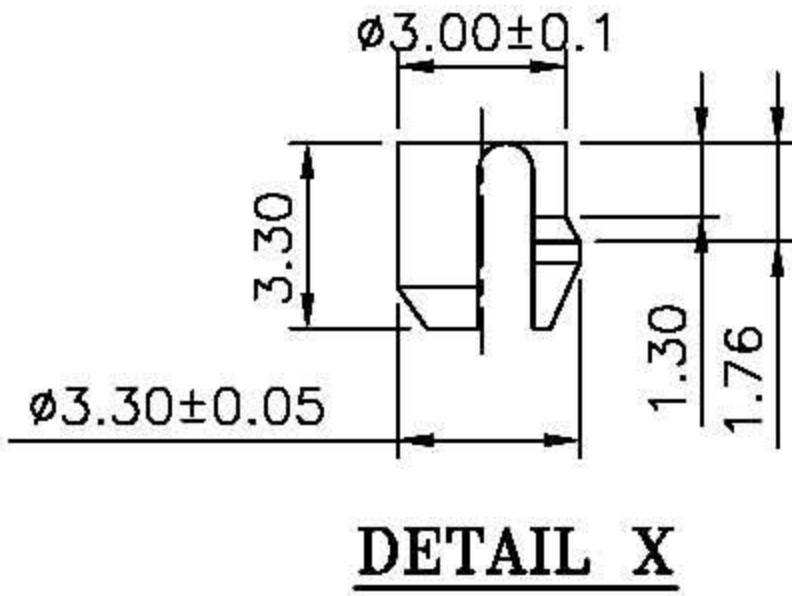
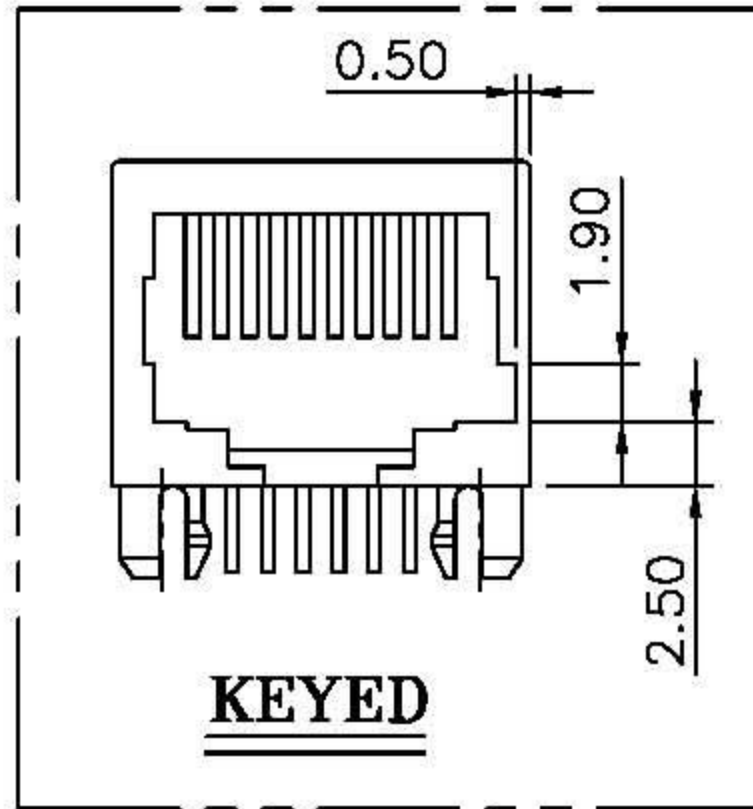
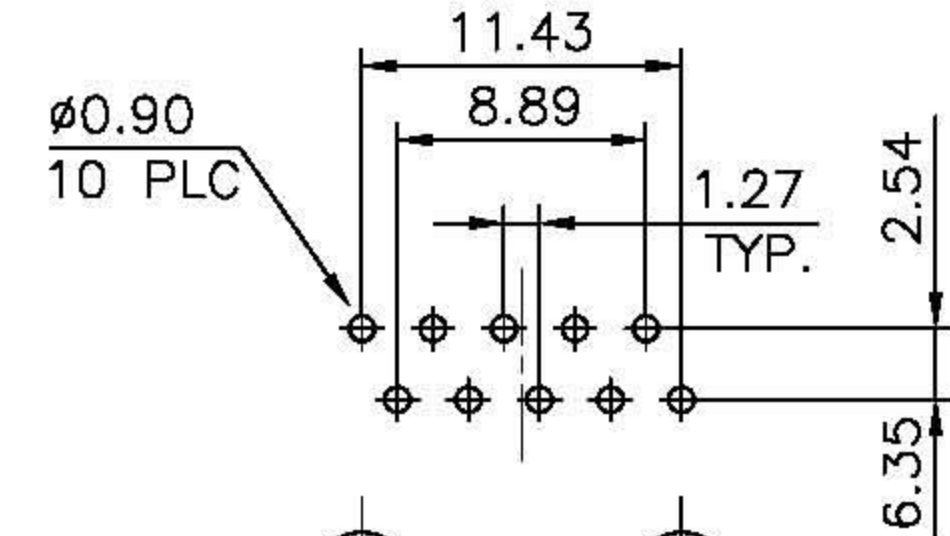
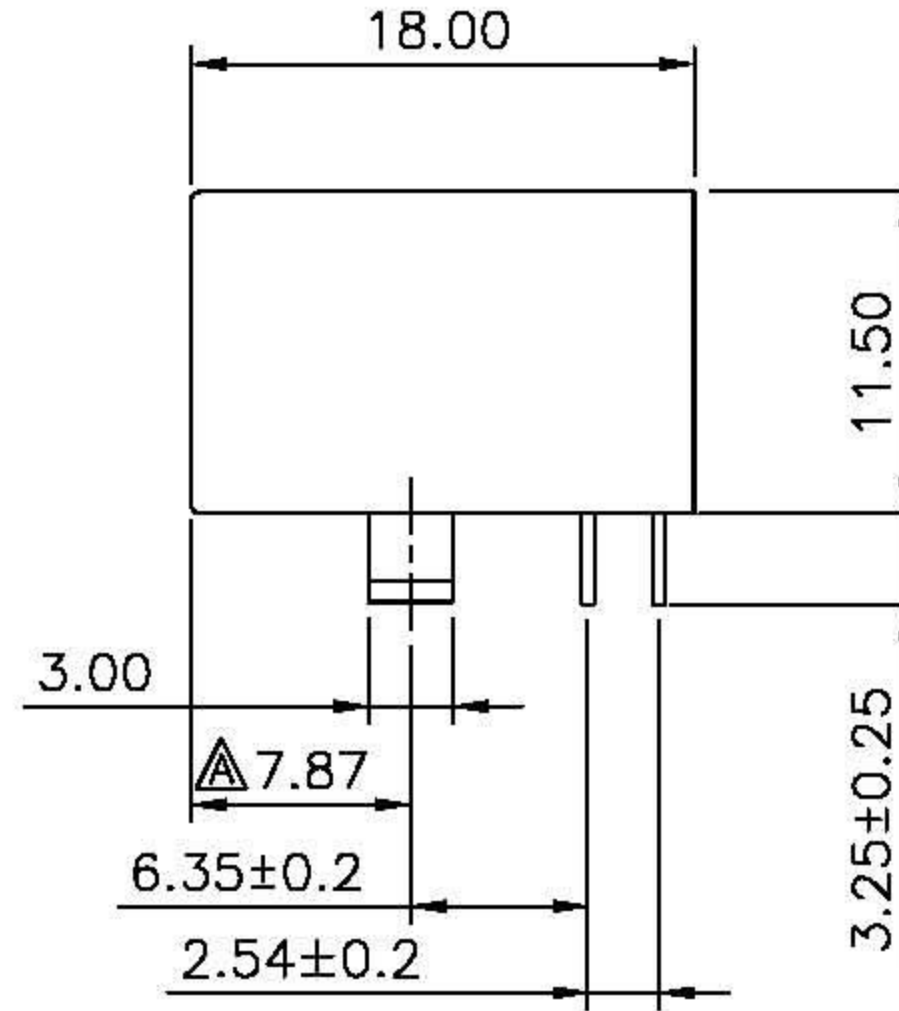
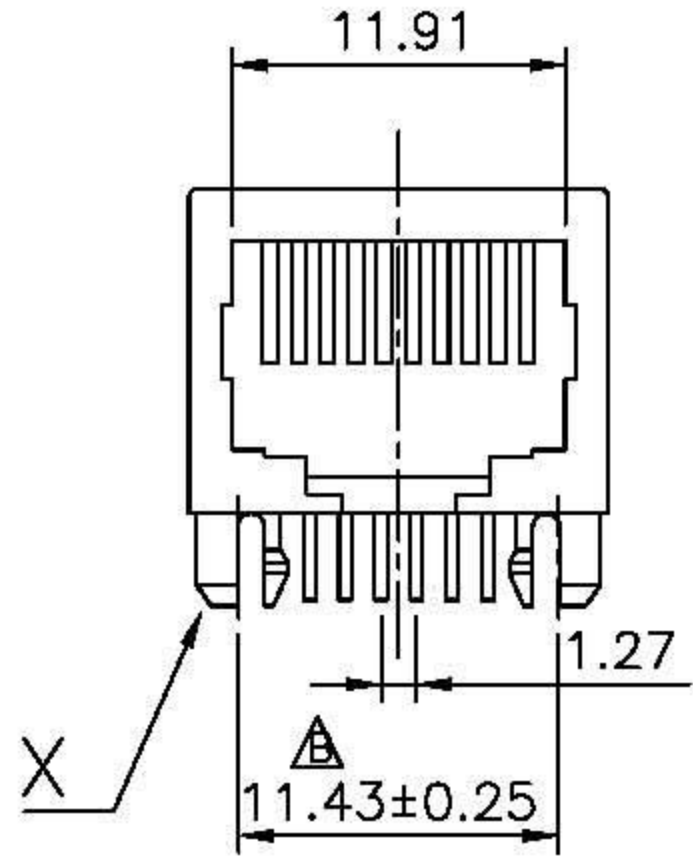


RoHS Compliance

REVISIONS			
LTR	DESCRIPTION	DATE	APP
△	7.85	08/20/'03	CHANG
△	CAR 11.43	01/22/'09	CHANG



PCB Layout
Ref.

DO NOT SCALE
DRAWING

TOLERANCES UNLESS
OTHERWISE NOTED

INCH

MM

DR.

CIAN.CI.LUO

DATE

FEB-24 '09

E-YUNG ENTERPRISE CO., LTD.

THIRD ANGLE PROJECTION

LINEAR

MM
INCH

00 ± .01
000 ± .005
0000 ± .002

0.0 ± 0.25
0.00 ± 0.13
0.000 ± 0.05

CK'D

M.CHANG

FEB-24 '09

TITLE

10 & 8 POSITION, SIDE ENTRY
VERY LOW PROFILE, SHIELDLESS PCB JACK

MM
INCH

ANGLE ± 0° 30'

RADII

+ 0.40
- 0.15

APP'D

W.J.YANG

FEB-24 '09

SCALE SIZE DWG.NO.

974301

REV.

6

SHEET

1