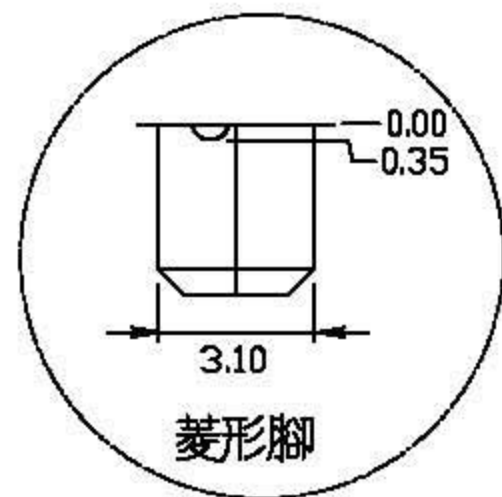
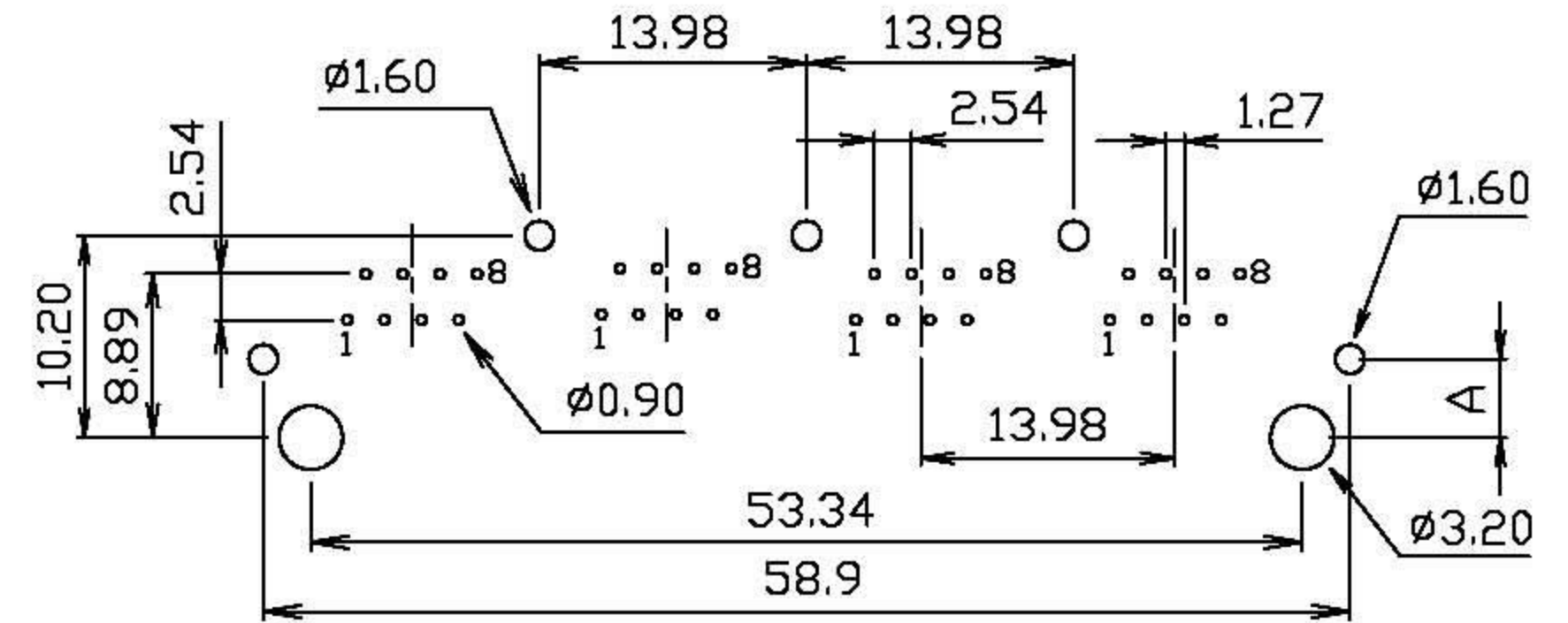
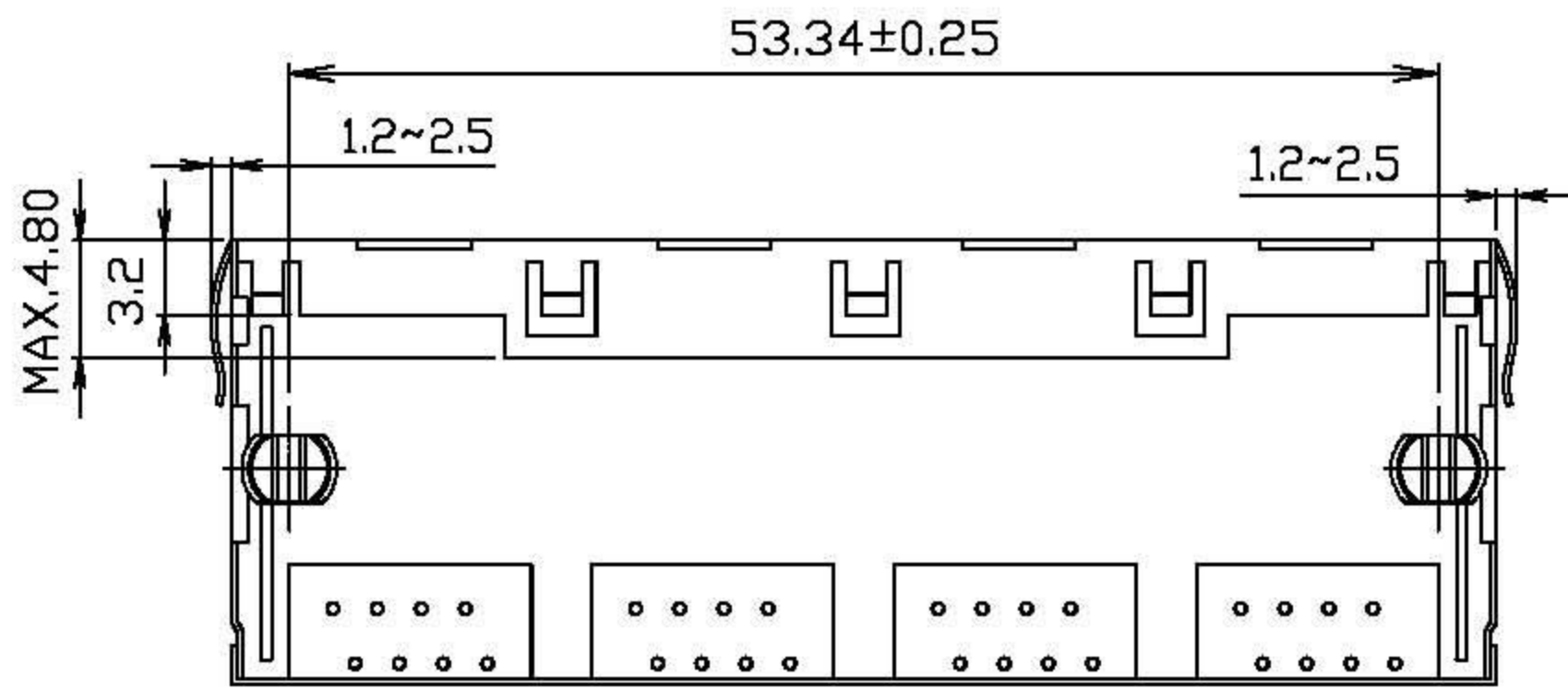
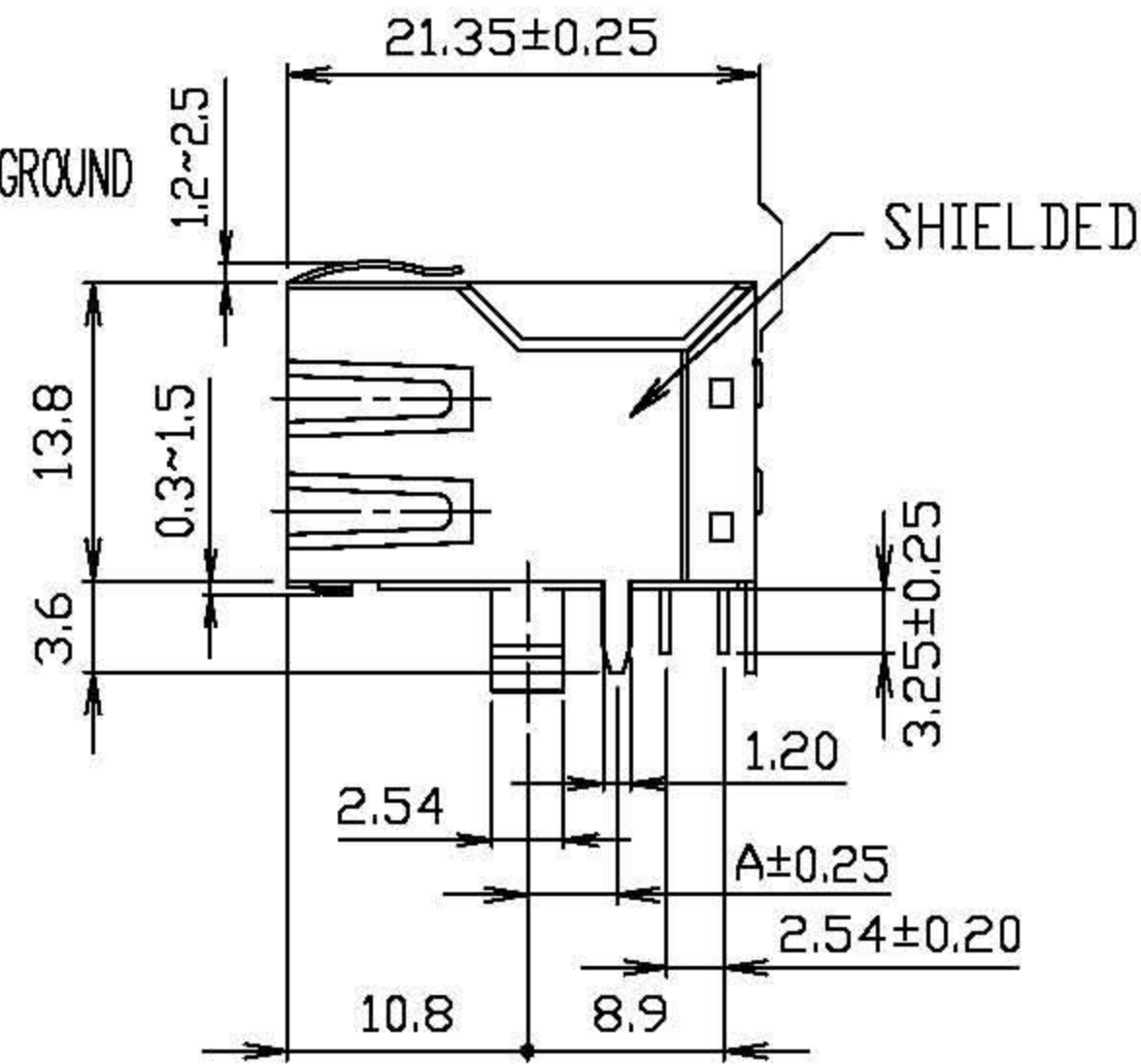
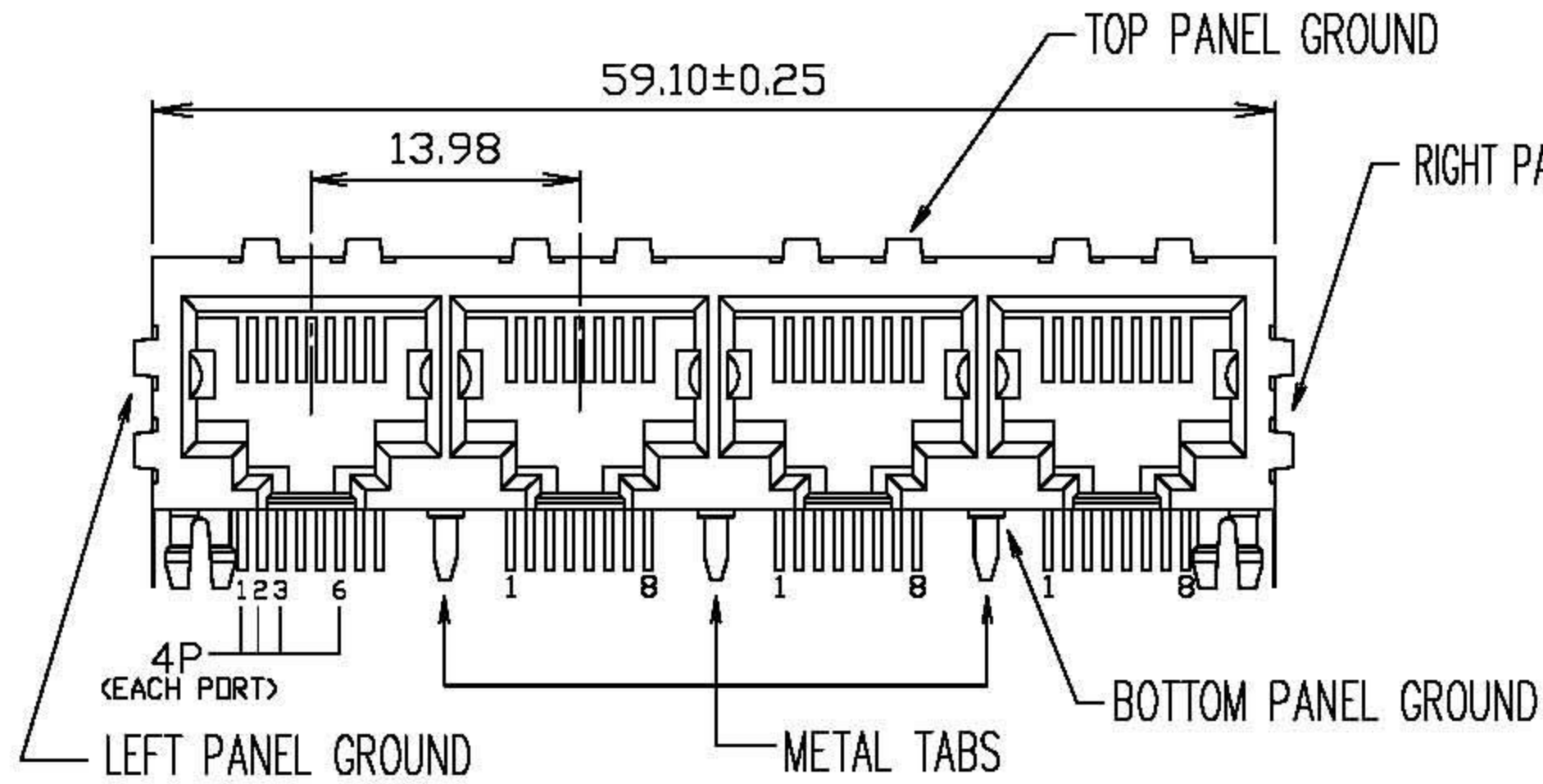
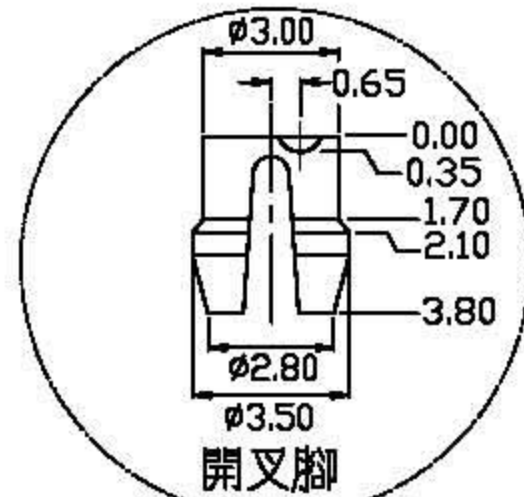


RoHS Compliance



DIAMOND PEGS



SPLIT-PEGS

PC Board Layout
Ref.

DO NOT SCALE DRAWING	TOLERANCES UNLESS OTHERWISE NOTED	INCH	MM	DR. <i>M.L.HUANG</i>	DATE APR-21 '09
THIRD ANGLE PROJECTION	LINEAR	MM INCH	0.0 ± 0.25 0.00 ± 0.13 0.000 ± 0.05	CK'D <i>M.CHANG</i>	APR-21 '09
MM INCH	ANGLE ± 0° 30'	RADII	± 0.40 - 0.15	APP'D <i>W.J.YANG</i>	APR-21 '09

E-YUNG ENTERPRISE CO., LTD.

TITLE 4 PORTS 8 POSITION SHIELDED S-P.G.
FLAT PIN, SIDE ENTRY PCB GANGED JACK

SCALE SIZE DWG.NO. REV. SHEET
974214 1 1