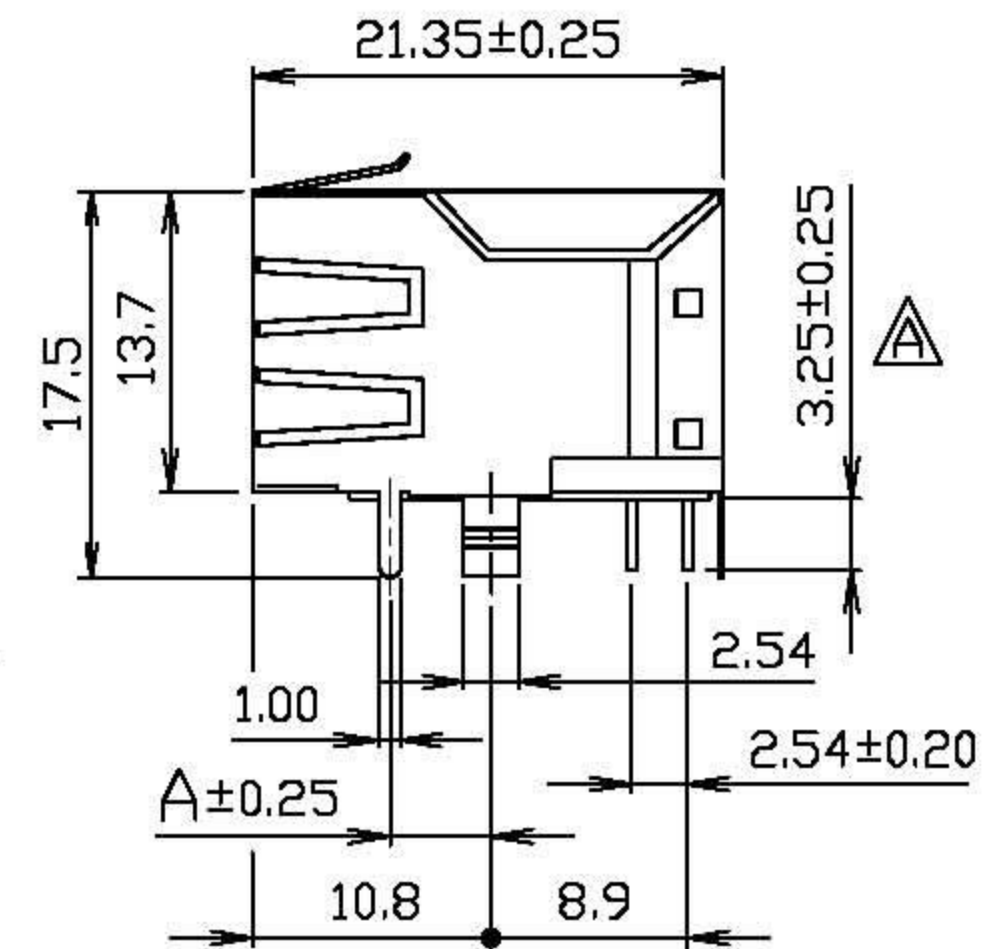
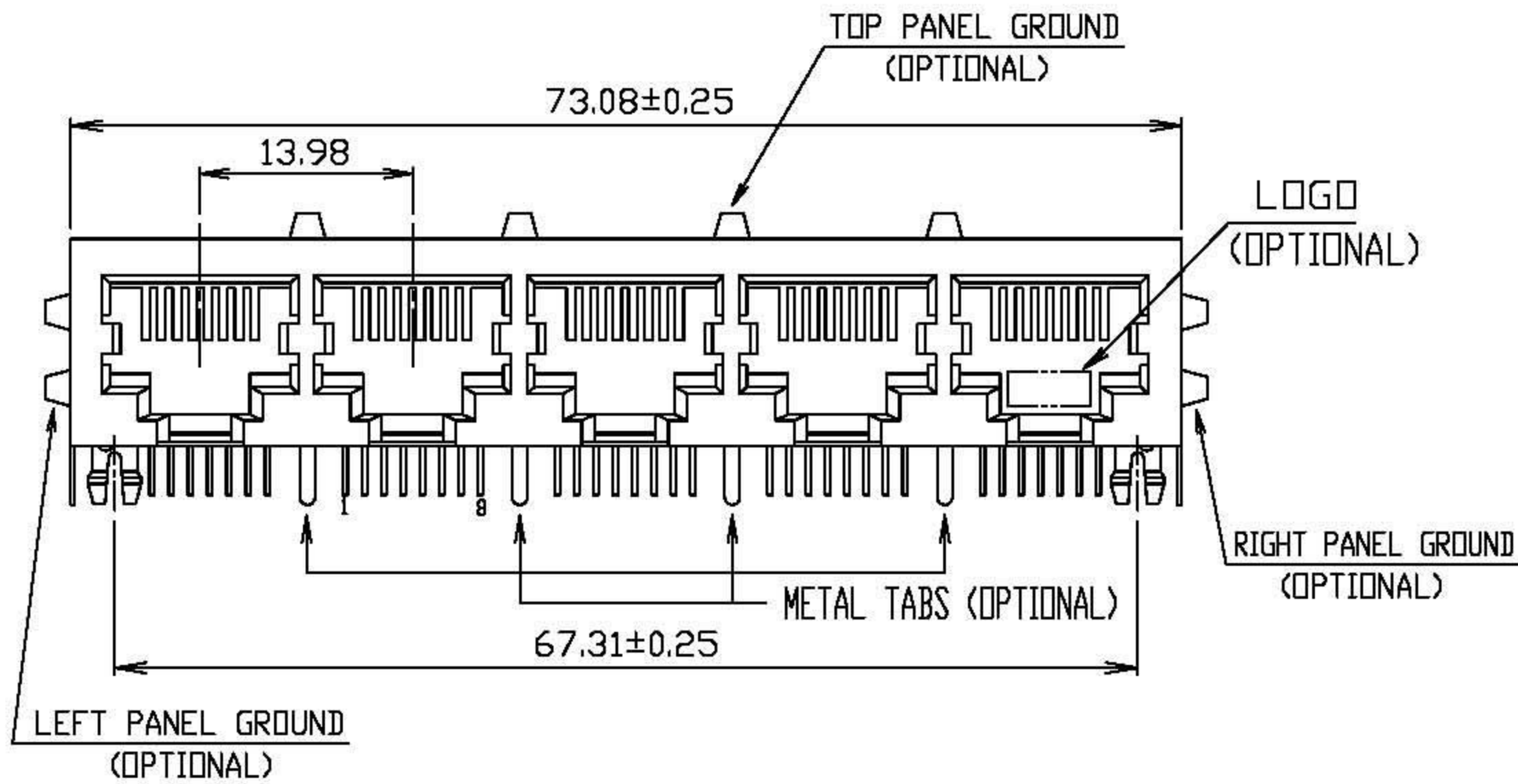
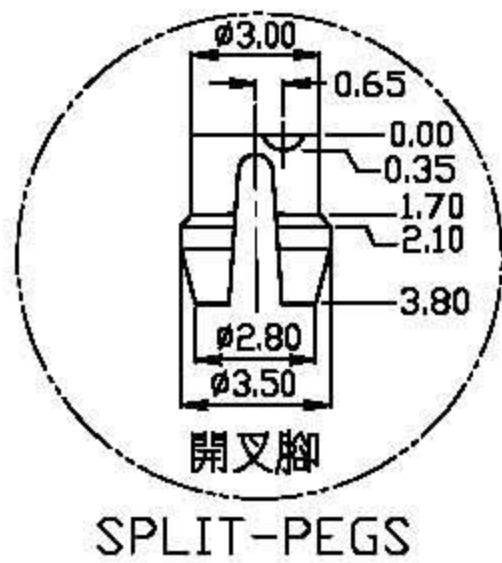
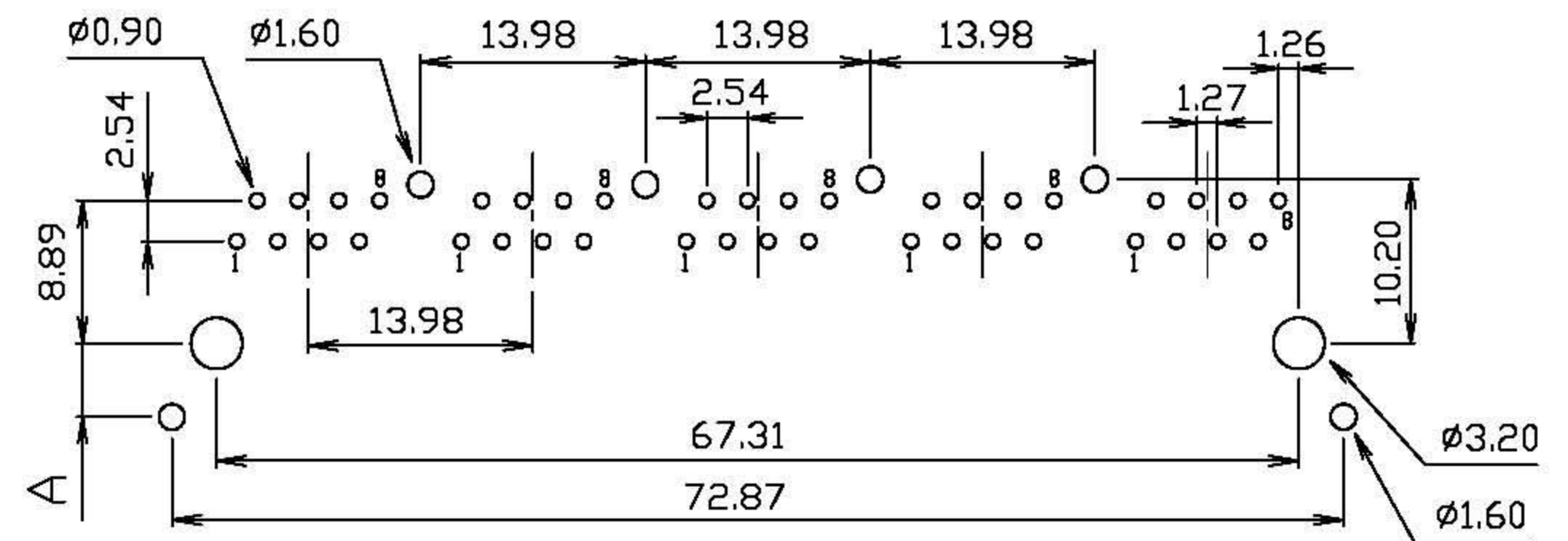
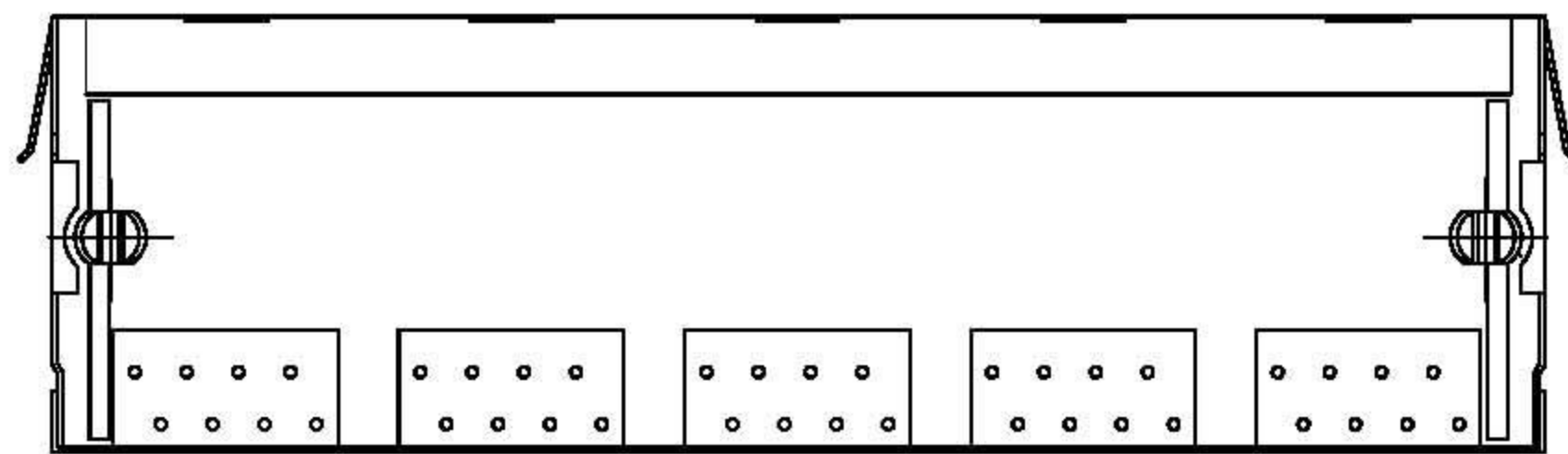


# RoHS Compliance



REVISIONS			
LTR	DESCRIPTION	DATE	APP
A	CAR 2.80±0.25	01/17/'08	CHANG



DO NOT SCALE DRAWING	TOLERANCES UNLESS OTHERWISE NOTED	INCH	MM	DR. <i>C.IAN.C.LUO</i>	DATE JAN-17 '08
THIRD ANGLE PROJECTION	LINEAR	MM INCH	00 ± .01 000 ± .005 0000 ± .002	CK'D <i>M.CHANG</i>	JAN-17 '08
MM INCH	ANGLE ± 0° 30'	RADII	+ 0.40 - 0.15	APP'D <i>W.J.YANG</i>	JAN-18 '08

E-YUNG ENTERPRISE CO., LTD.

TITLE	5PORTS, RJ45, SHIELDED, FLAT PIN, SIDE ENTRY PCB GANGED JACK		
SCALE	SIZE	DWG.NO.	REV. SHEET
		974212	2 1