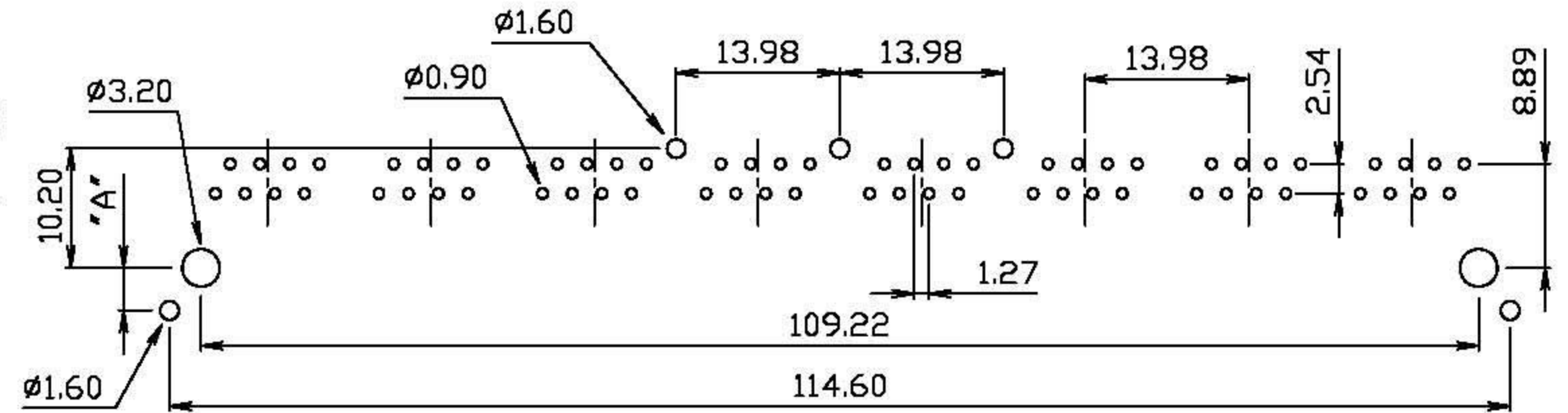
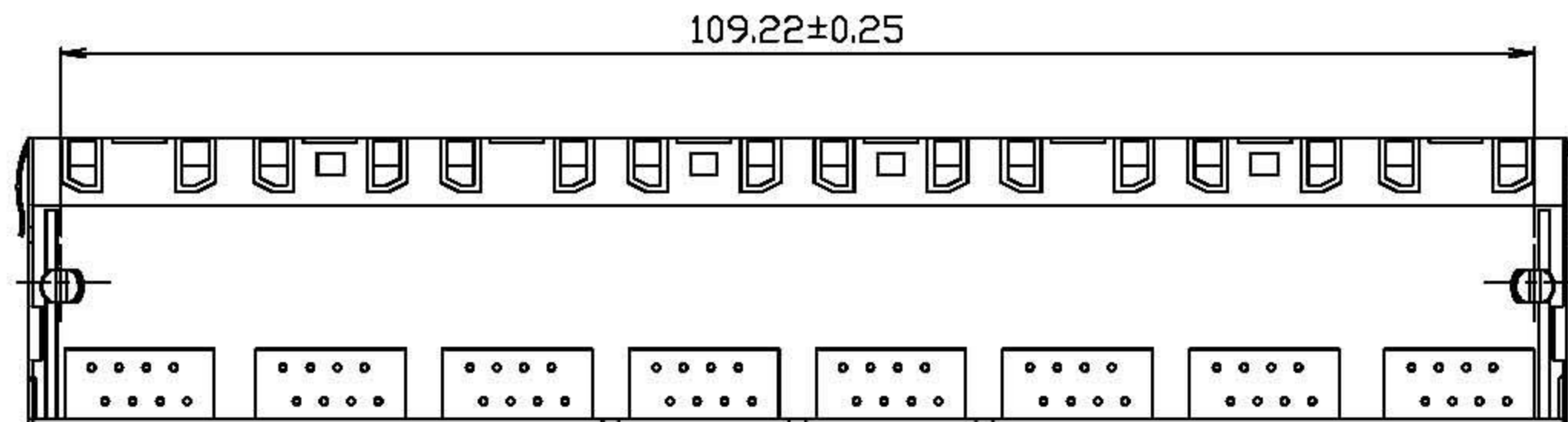
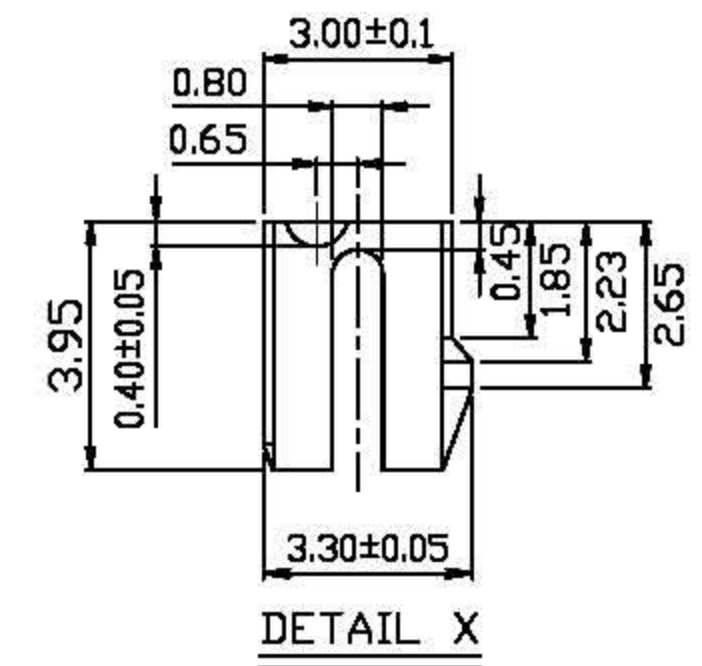
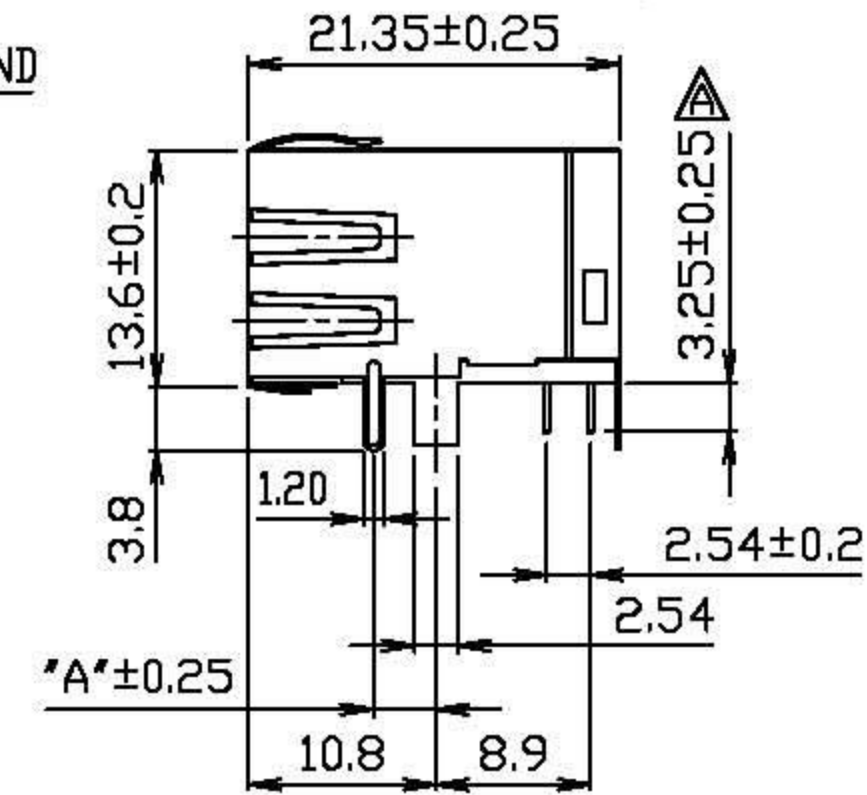
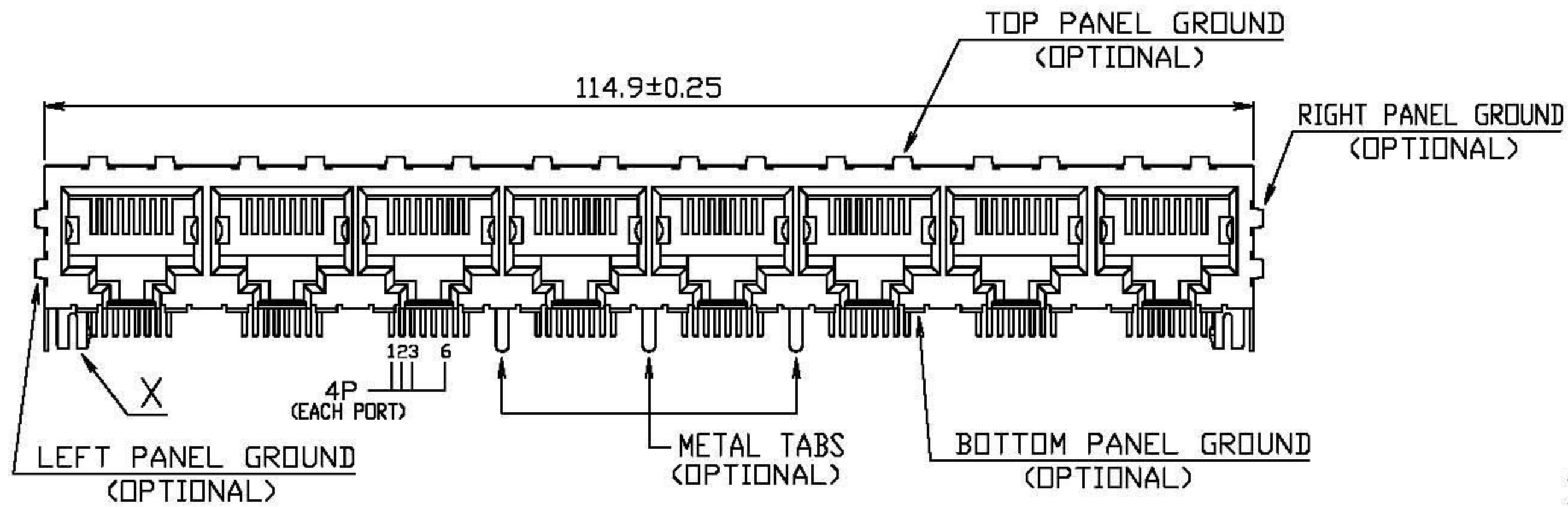


# RoHS Compliance



PC Board Layout

REVISIONS			
LTR	DESCRIPTION	DATE	APP
△	CAR 2.80±0.25	01/17/08	CHANG

DO NOT SCALE DRAWING	TOLERANCES UNLESS OTHERWISE NOTED	INCH	MM	DR. <i>CIAN.CI.LUO</i>	DATE JAN-17 '08
	THIRD ANGLE PROJECTION	LINEAR	MM INCH	CK'D <i>M.CHANG</i>	JAN-17 '08
		00 ± .01 000 ± .005 0000 ± .002	0.0 ± 0.25 0.00 ± 0.13 0.000 ± 0.05	APP'D <i>W.J.YANG</i>	JAN-18 '08
	MM INCH	ANGLE ± 0° 30'	RADII		

<b>E-YUNG ENTERPRISE CO., LTD.</b>			
TITLE		8 PORTS 8POSITION SHIELDED FLAT CONTACTS SIDE ENTRY PCB GANGED JACK	
SCALE	SIZE	DWG.NO.	REV. SHEET
		974207	3 1