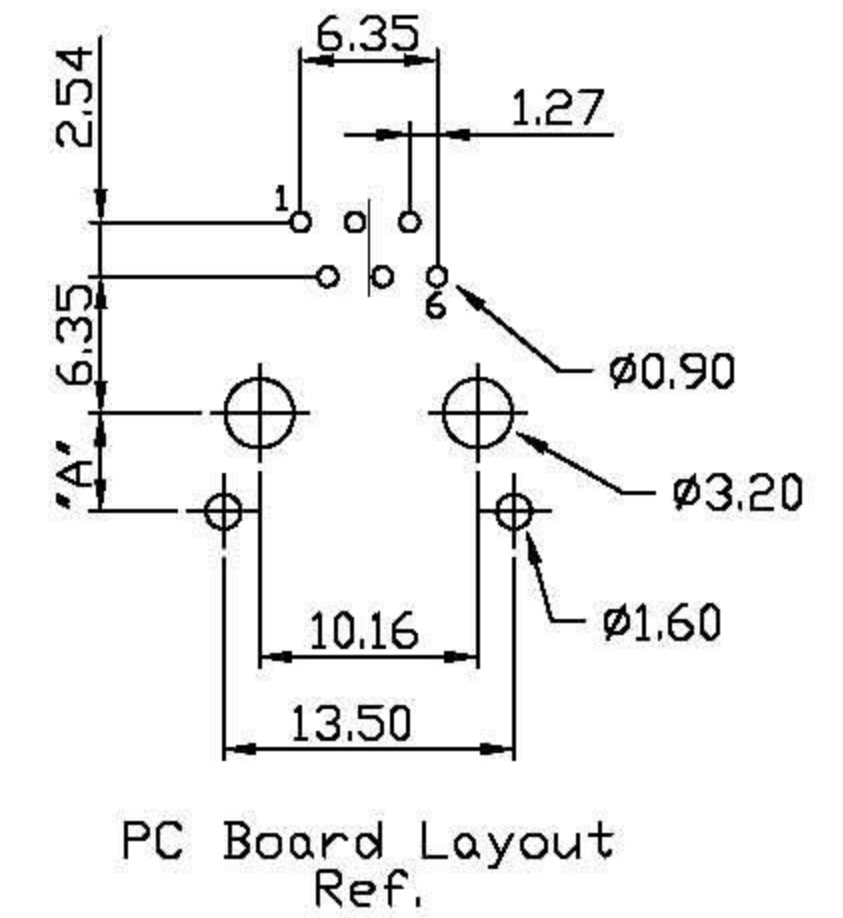
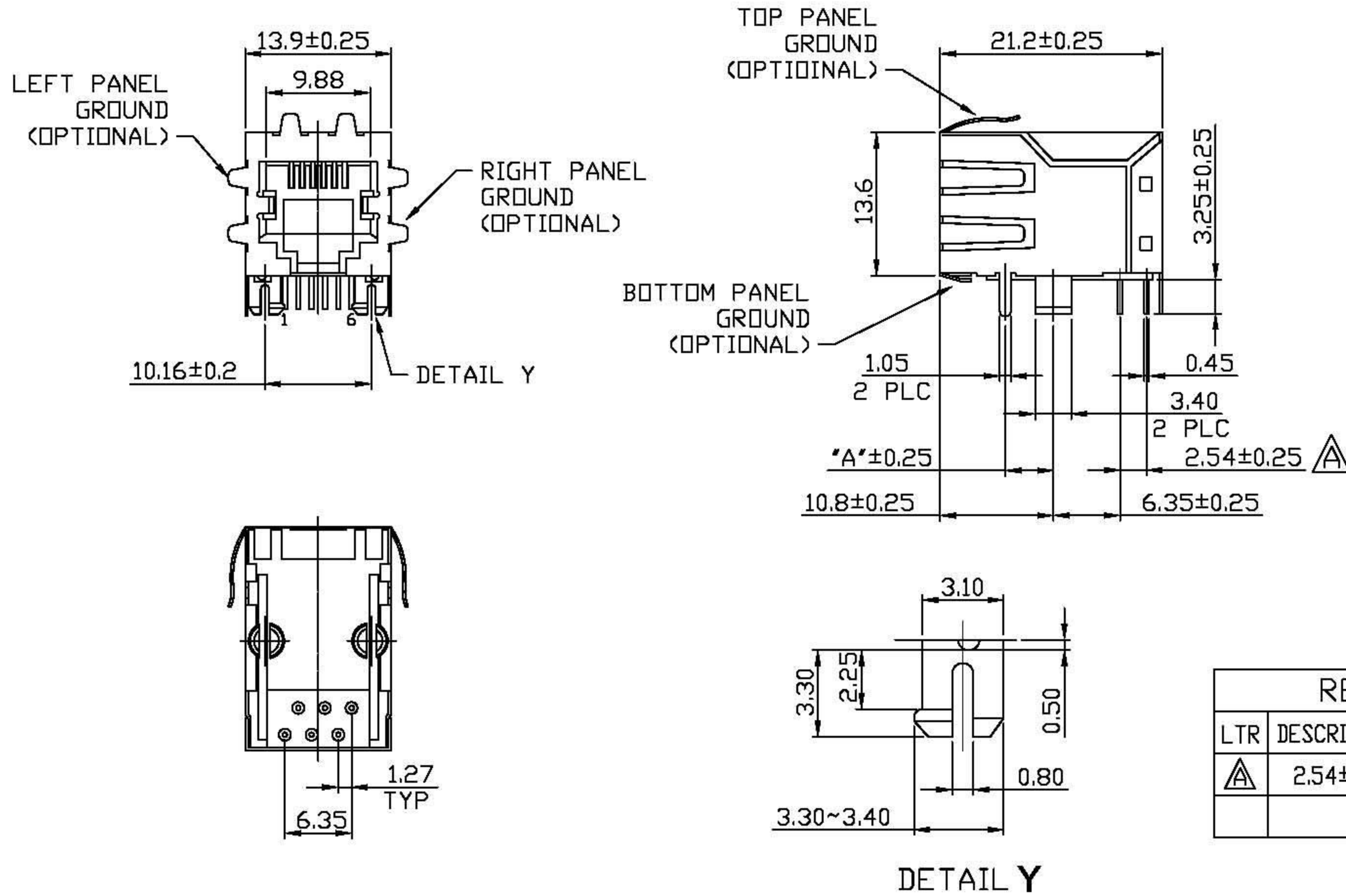


RoHS Compliance



REVISIONS			
LTR	DESCRIPTION	DATE	APP
△	2.54±0.25	04/03/'00	CHANG

DO NOT SCALE DRAWING	TOLERANCES UNLESS OTHERWISE NOTED	INCH	MM	DR. <i>CIAN.CI.LUO</i>	DATE AUG-04 '08
THIRD ANGLE PROJECTION	LINEAR	MM INCH	00 ± .01 000 ± .005 0000 ± .002	CK'D <i>M.CHANG</i>	AUG-04 '08
MM INCH	ANGLE ± 0° 30'	RADII	+ 0.40 - 0.15	APP'D <i>W.J.YANG</i>	AUG-06 '08

E-YUNG ENTERPRISE CO., LTD.

TITLE: 6POSITION SHIELDED S-P.G. ROUND PIN SIDE ENTRY PCB JACK

SCALE: SIZE DWG.NO. 974101

REV. 2 SHEET 1