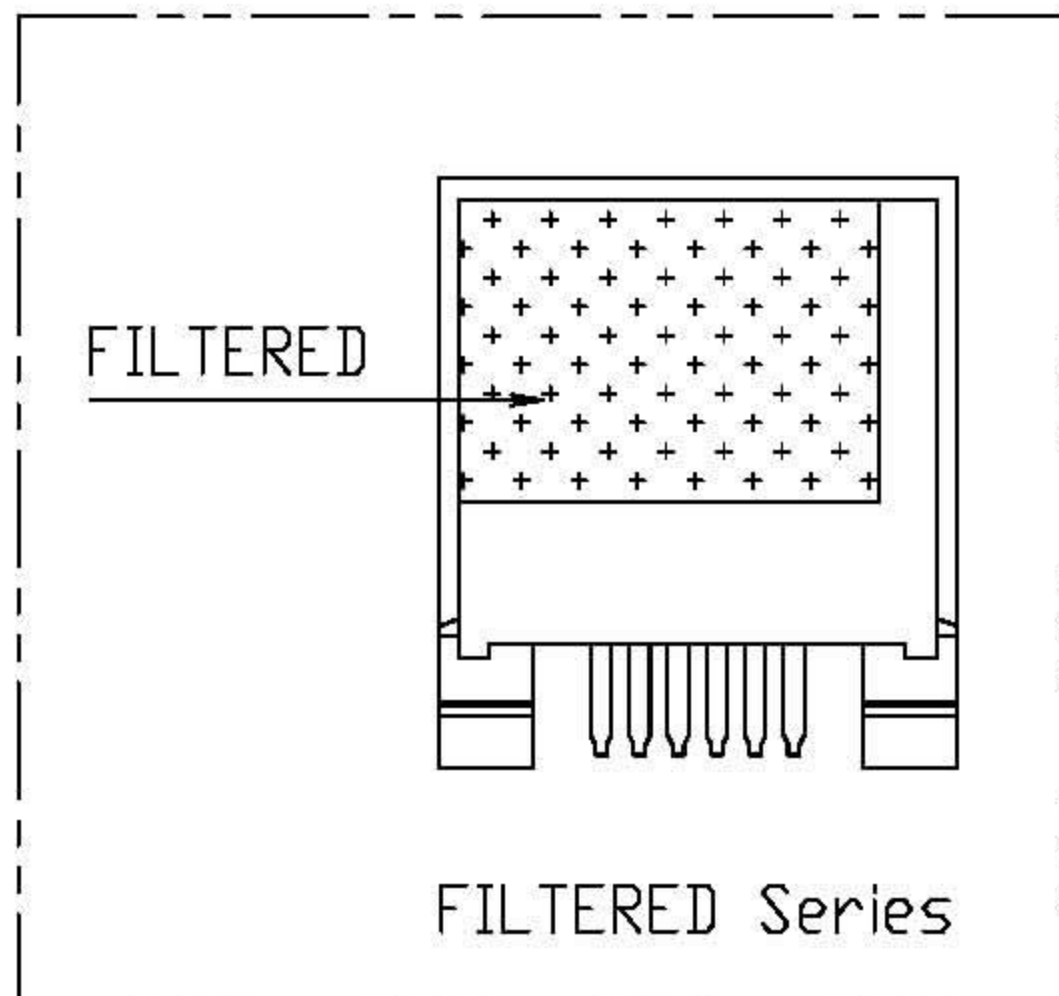
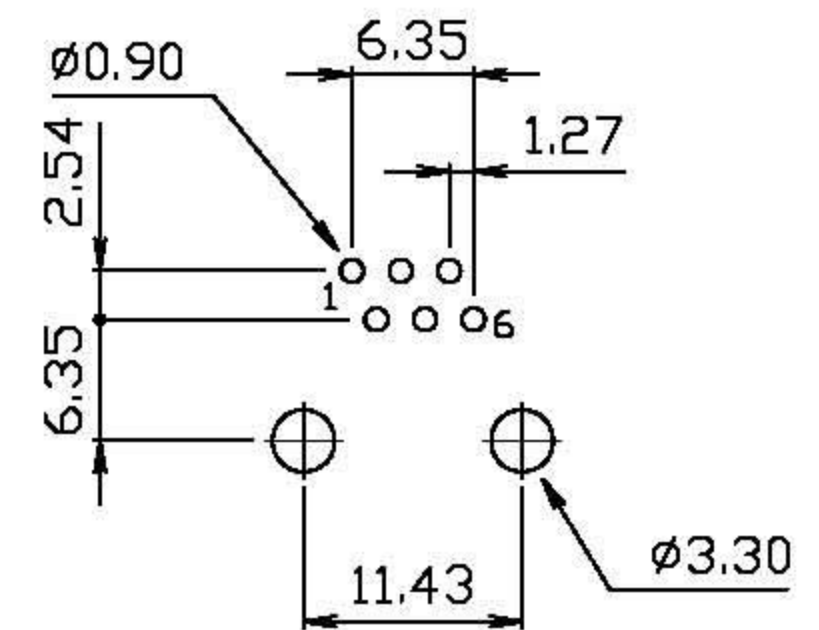
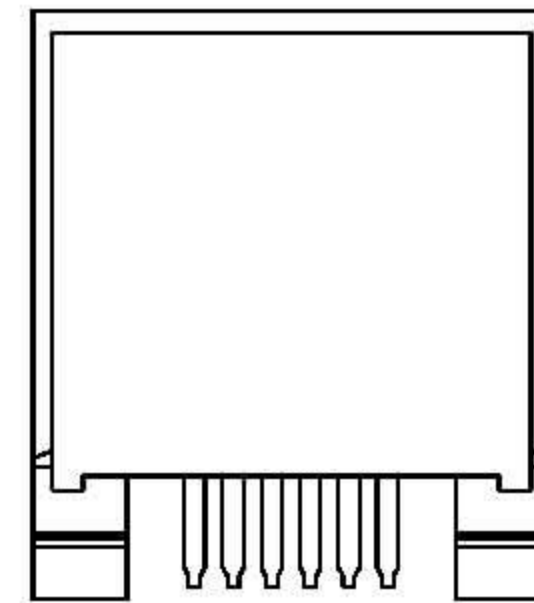
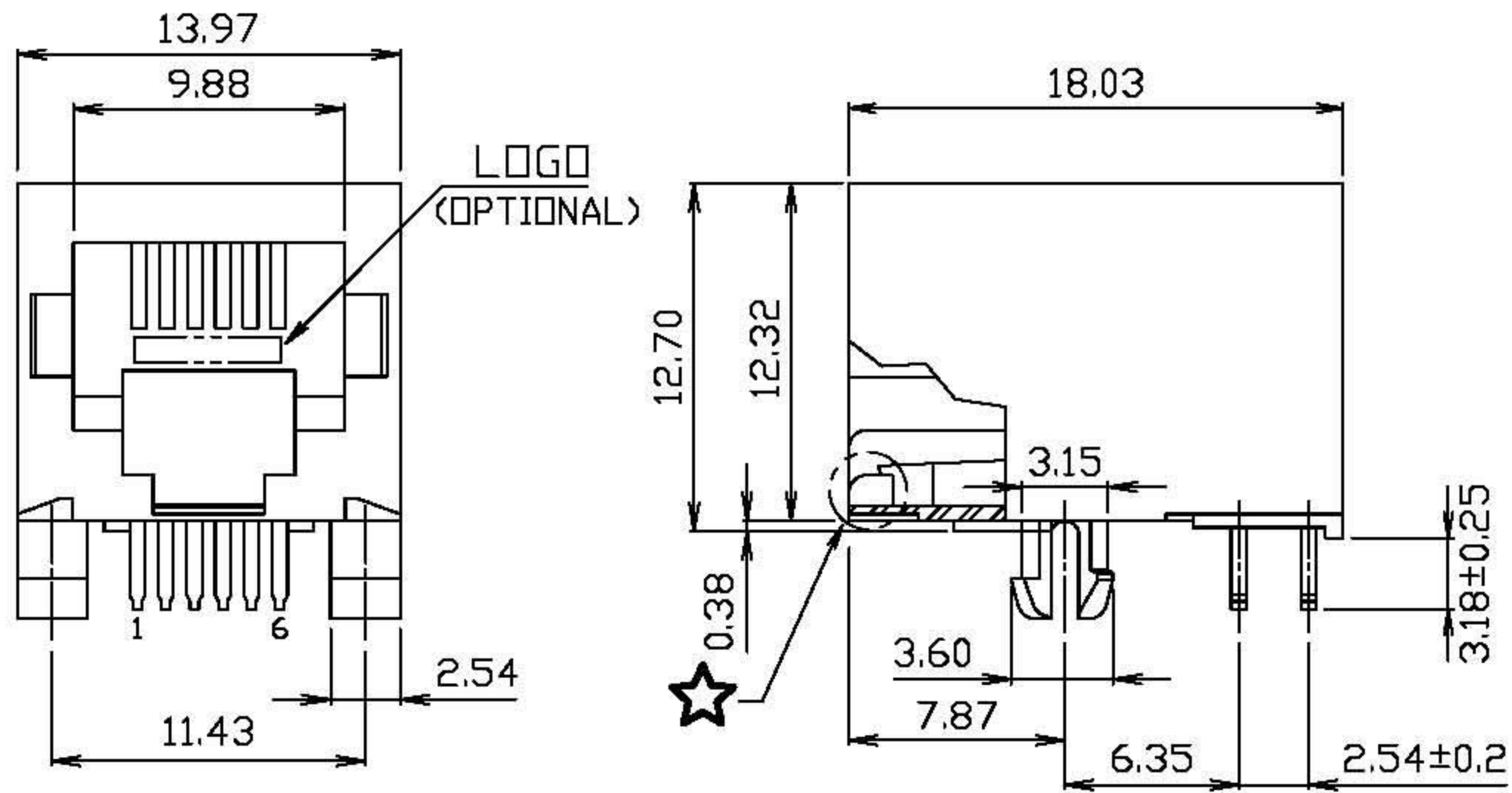


RoHS Compliance



DO NOT SCALE DRAWING	TOLERANCES UNLESS OTHERWISE NOTED	INCH	MM	DR. CIAN.CI.LUD	DATE MAR-06 '08
THIRD ANGLE PROJECTION	LINEAR	MM INCH	00 ± .01 000 ± .005 0000 ± .002	CK'D M.CHANG	MAR-06 '08
MM INCH	ANGLE ± 0° 30'	RADII	+ 0.40 - 0.15	APP'D W.J.YANG	MAR-07 '08

E-YUNG ENTERPRISE CO., LTD.					
TITLE	6POSITION FILTERED & FILTERLESS SHIELDLESS SIDE ENTRY PCB JACK				
SCALE	SIZE	DWG.NO.	REV.	SHEET	
		974001	6	1	