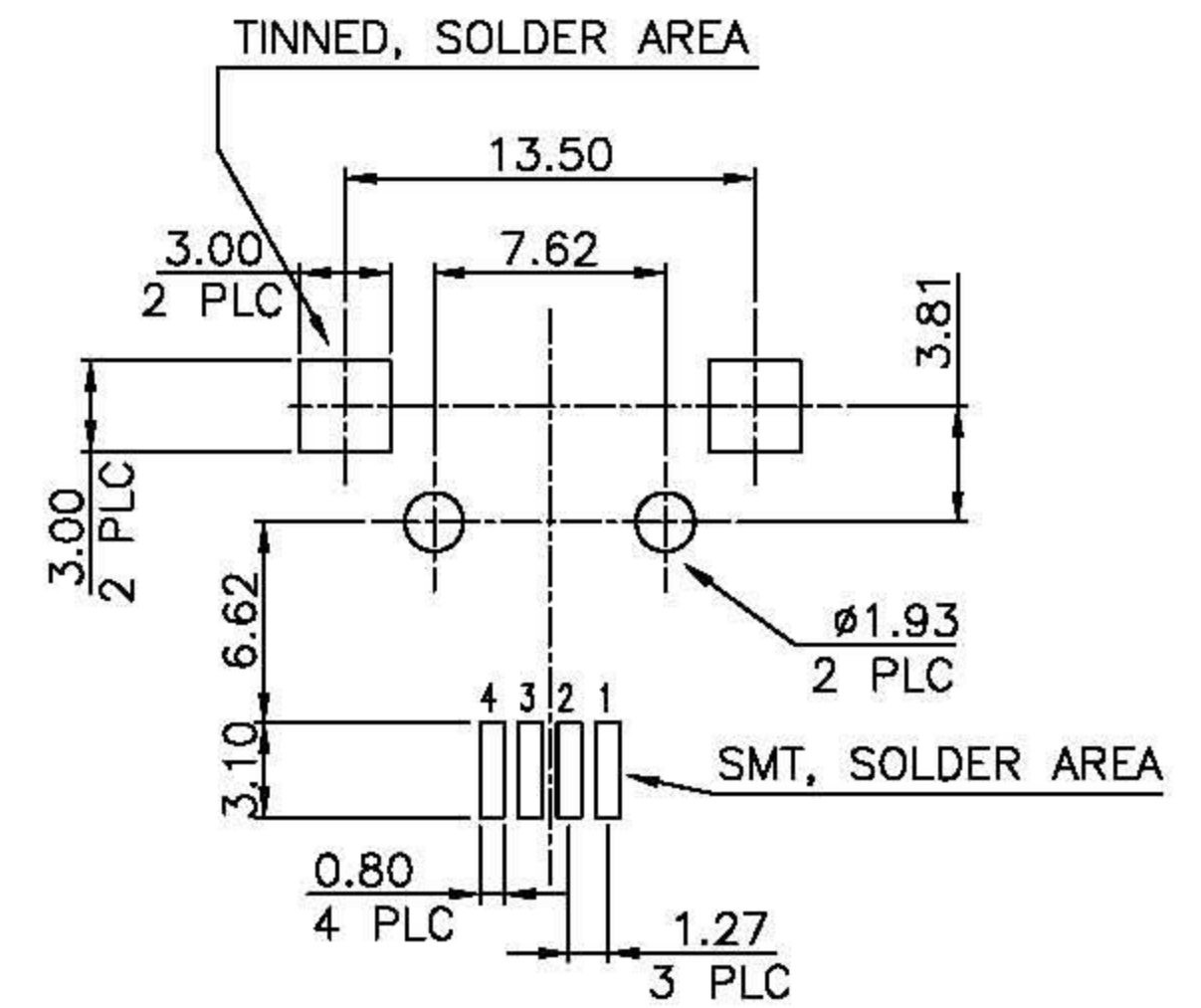
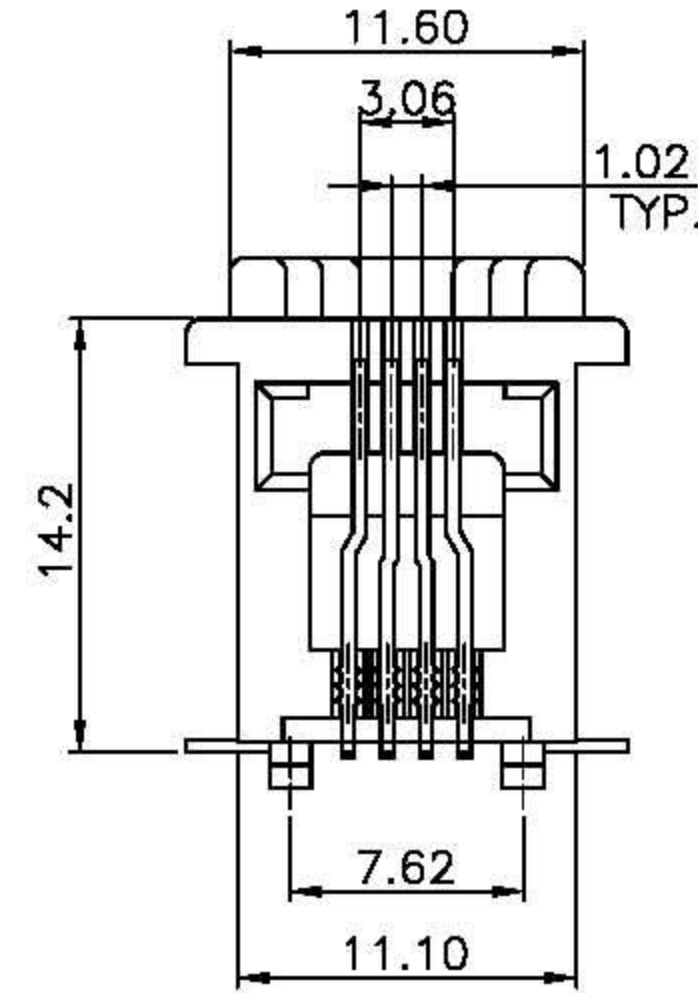
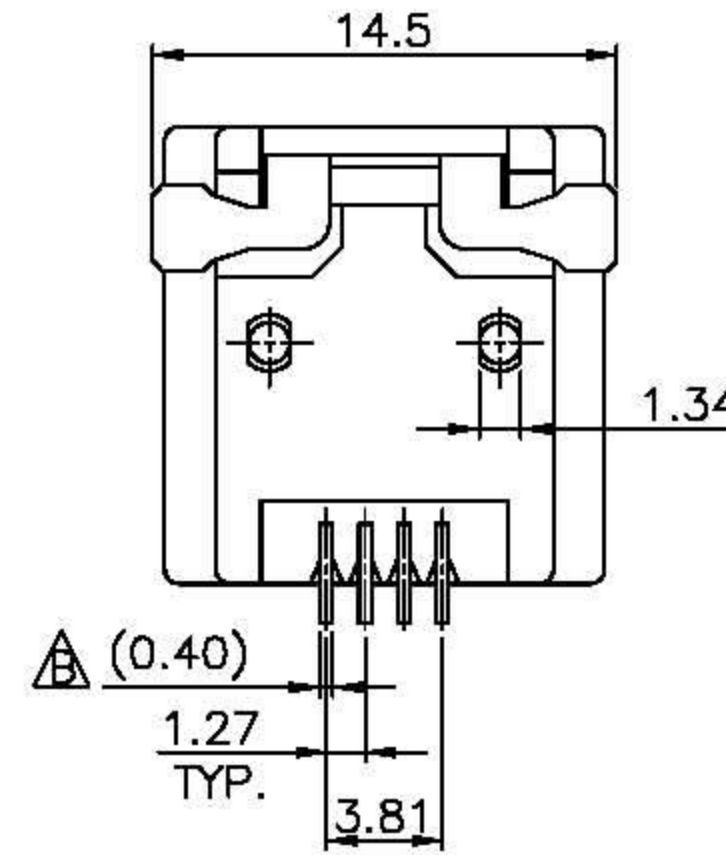
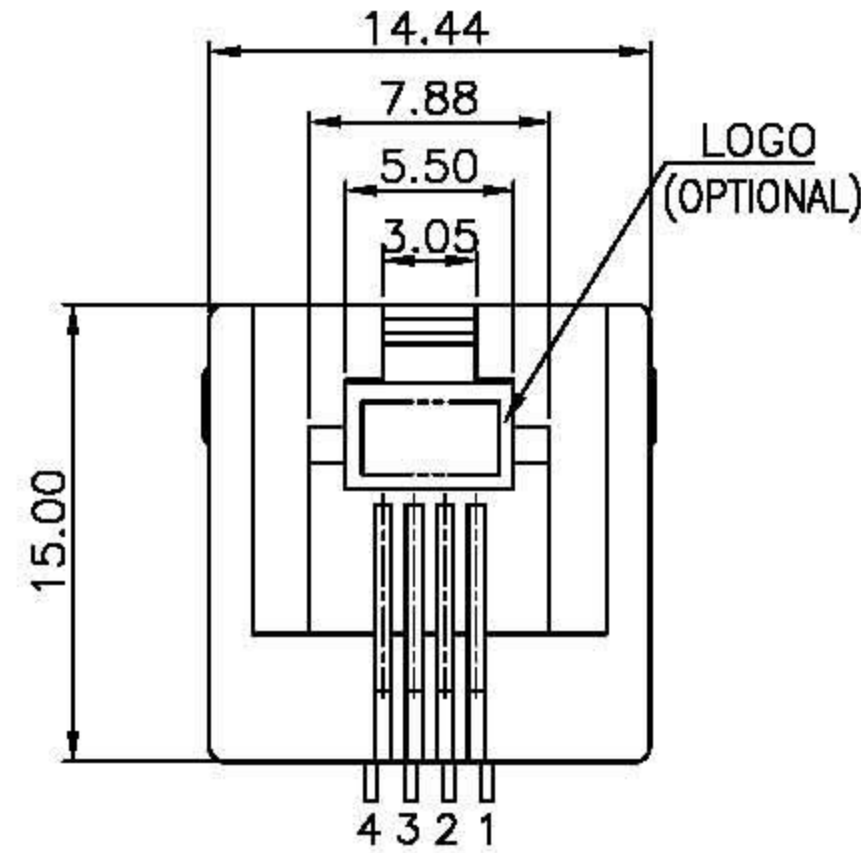
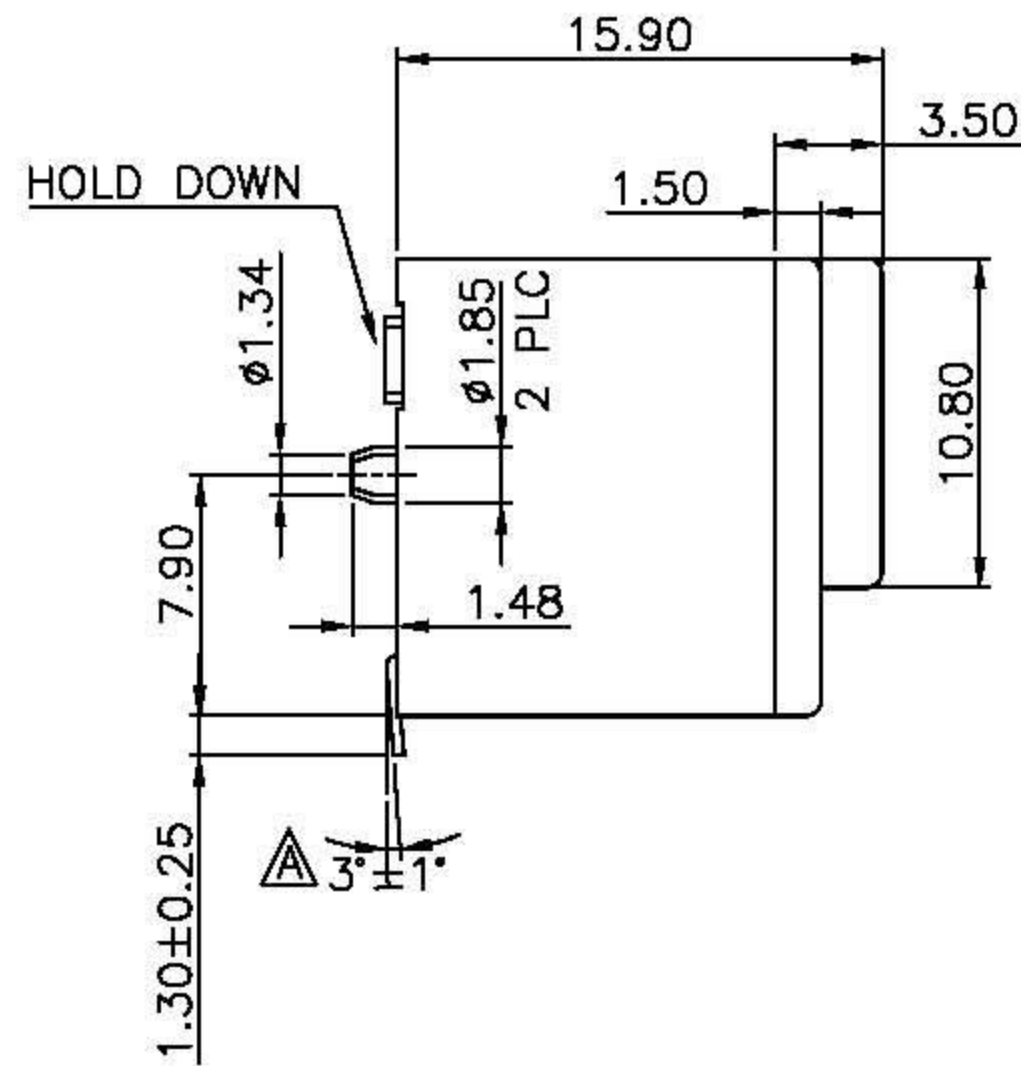


RoHS Compliance



REVISIONS			
LTR	DESCRIPTION	DATE	APP
△	86°~90°	12/31/'99	CHANG
△	89°~91°	03/09/'00	CHANG
△	88°~90° 87°~89° Ref.	03/31/'00	CHANG
△		11/14/'06	CHANG

DO NOT SCALE DRAWING	TOLERANCES UNLESS OTHERWISE NOTED	INCH	MM	DR. <i>C.IAN.CI.LUO</i>	DATE DEC-24 '08
THIRD ANGLE PROJECTION	LINEAR $\frac{\text{MM}}{\text{INCH}}$	00 ± .01 000 ± .005 0000 ± .002	0.0 ± 0.25 0.00 ± 0.13 0.000 ± 0.05	CK'D <i>M.CHANG</i>	DEC-24 '08
MM INCH	ANGLE ± 0° 30'	RADII	+ 0.40 - 0.15	APP'D <i>W.J.YANG</i>	DEC-25 '08

E-YUNG ENTERPRISE CO., LTD.

TITLE 4POSITION, TOP ENTRY JACK
SMT TYPE

SCALE	SIZE	DWG.NO.	REV.	SHEET
		973904	8	1