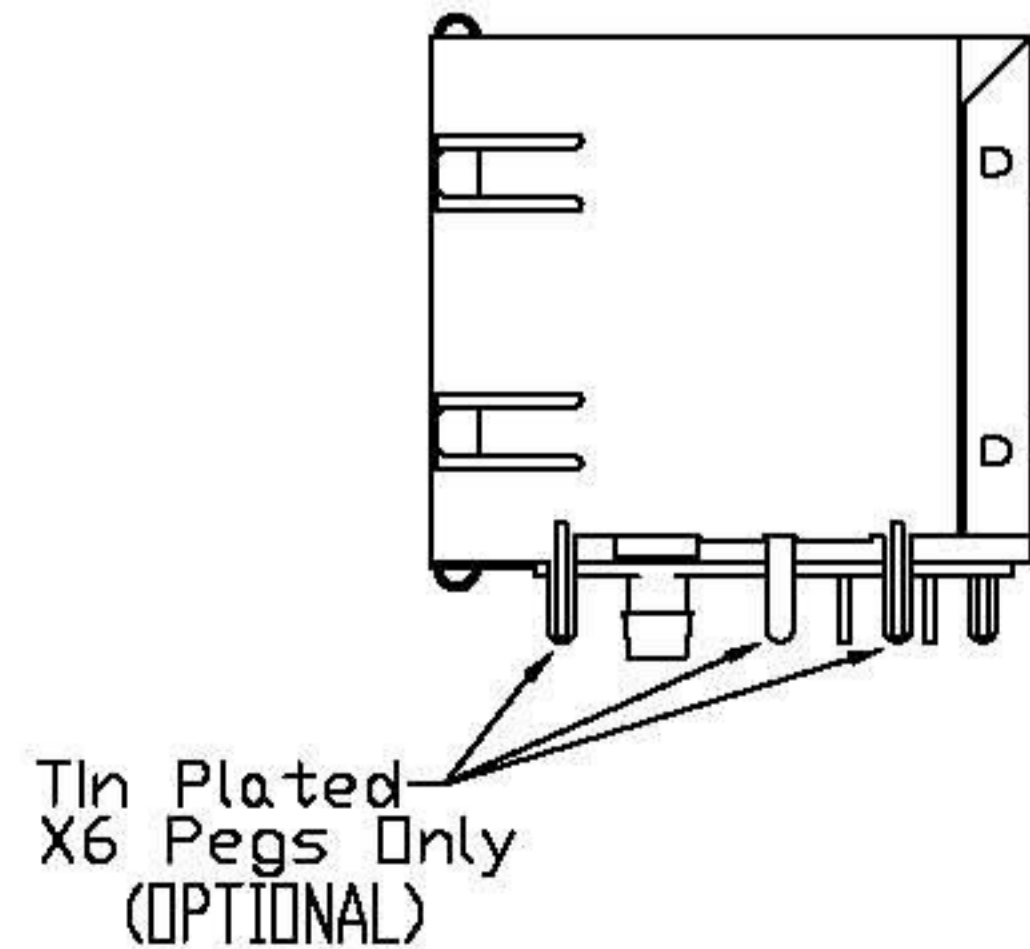


PCB LAYOUT Ref.



DO NOT SCALE DRAWING	TOLERANCES UNLESS OTHERWISE NOTED	INCH	MM	DR. <i>CIAN.CI.LUO</i>	DATE NOV-24 '09	E-YUNG ENTERPRISE CO., LTD.				
THIRD ANGLE PROJECTION	LINEAR	MM INCH	00 ± .01 000 ± .005 0000 ± .002	CK'D <i>M.CHANG</i>	NOV-24 '09			TITLE 2X6 8POSITIONS RIGHT ANGLE SHIELDED PCB JACK		
MM INCH	ANGLE ± 0° 30'	RADII	+ 0.40 - 0.15	APP'D <i>W.J.YANG</i>	NOV-25 '09	SCALE	SIZE	DWG.NO. 973107	REV. 5	SHEET 1