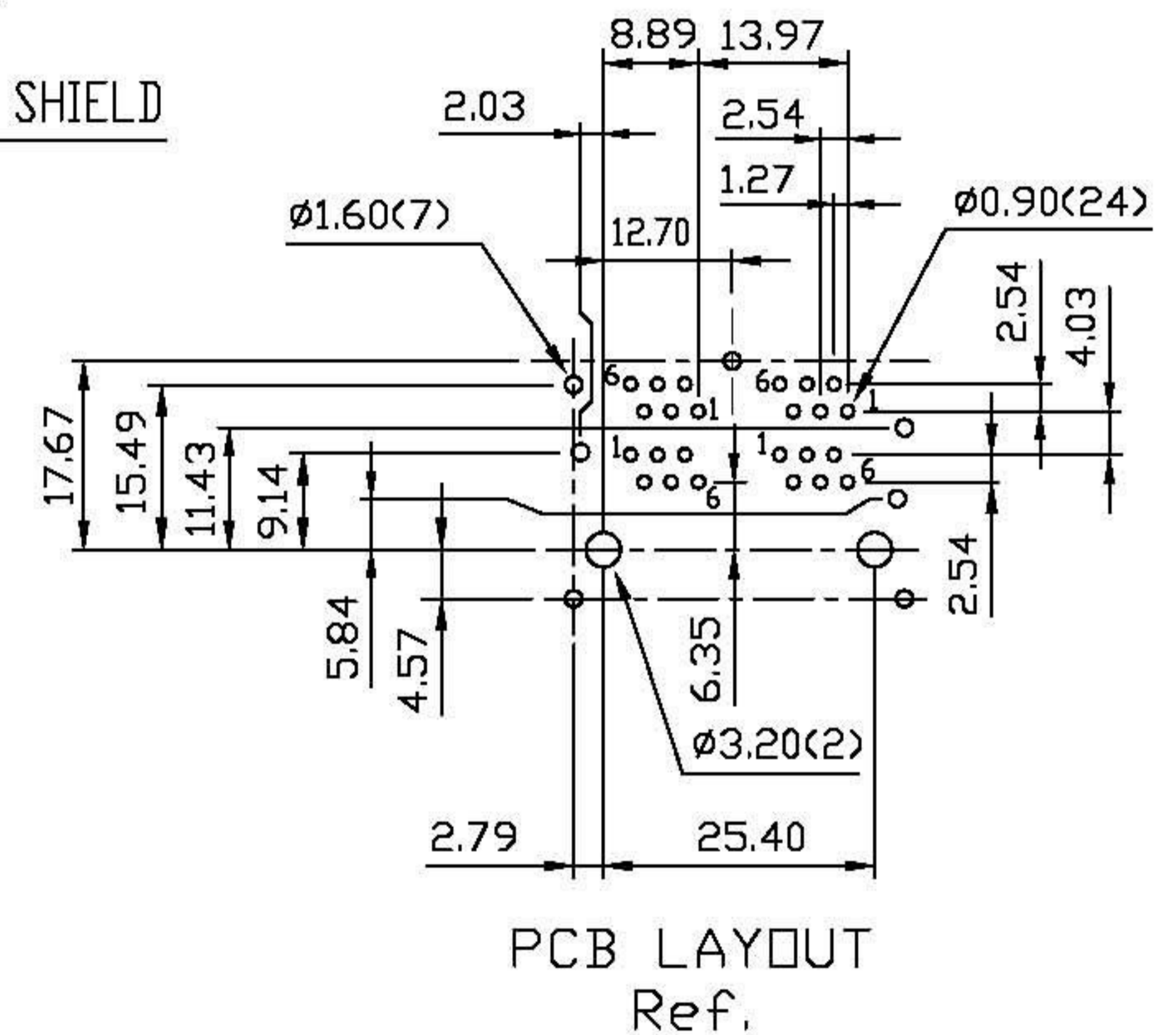
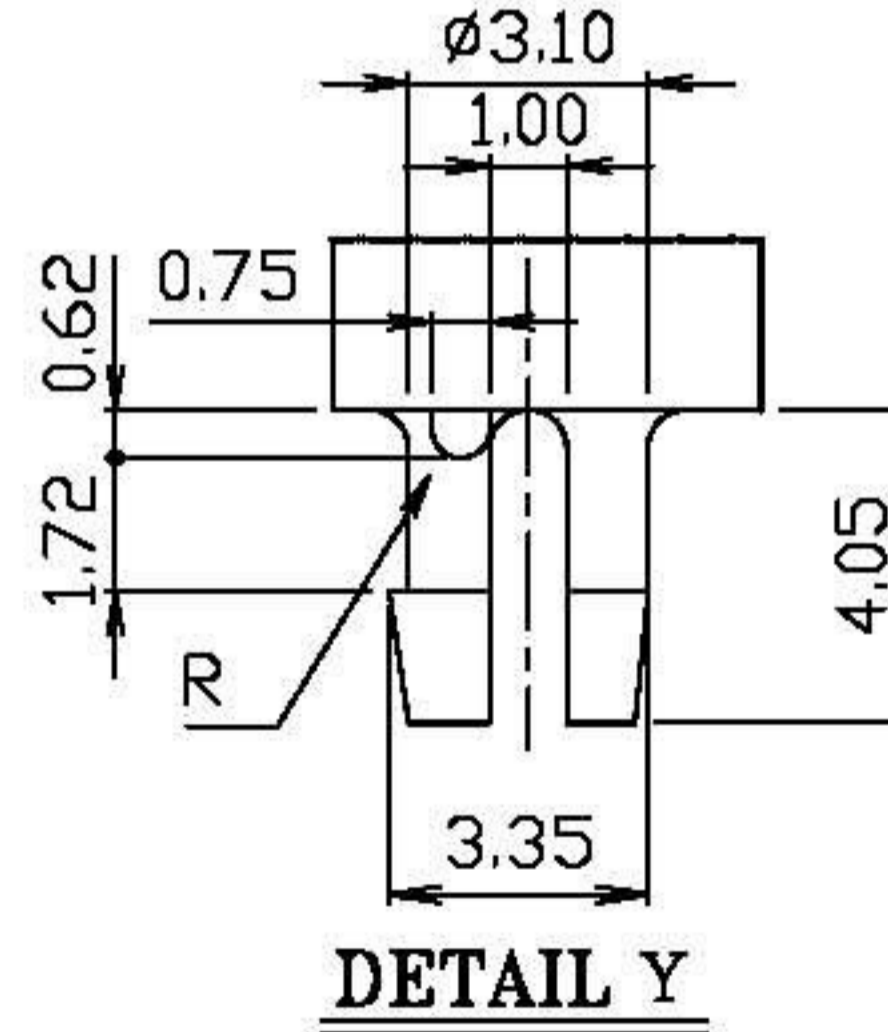
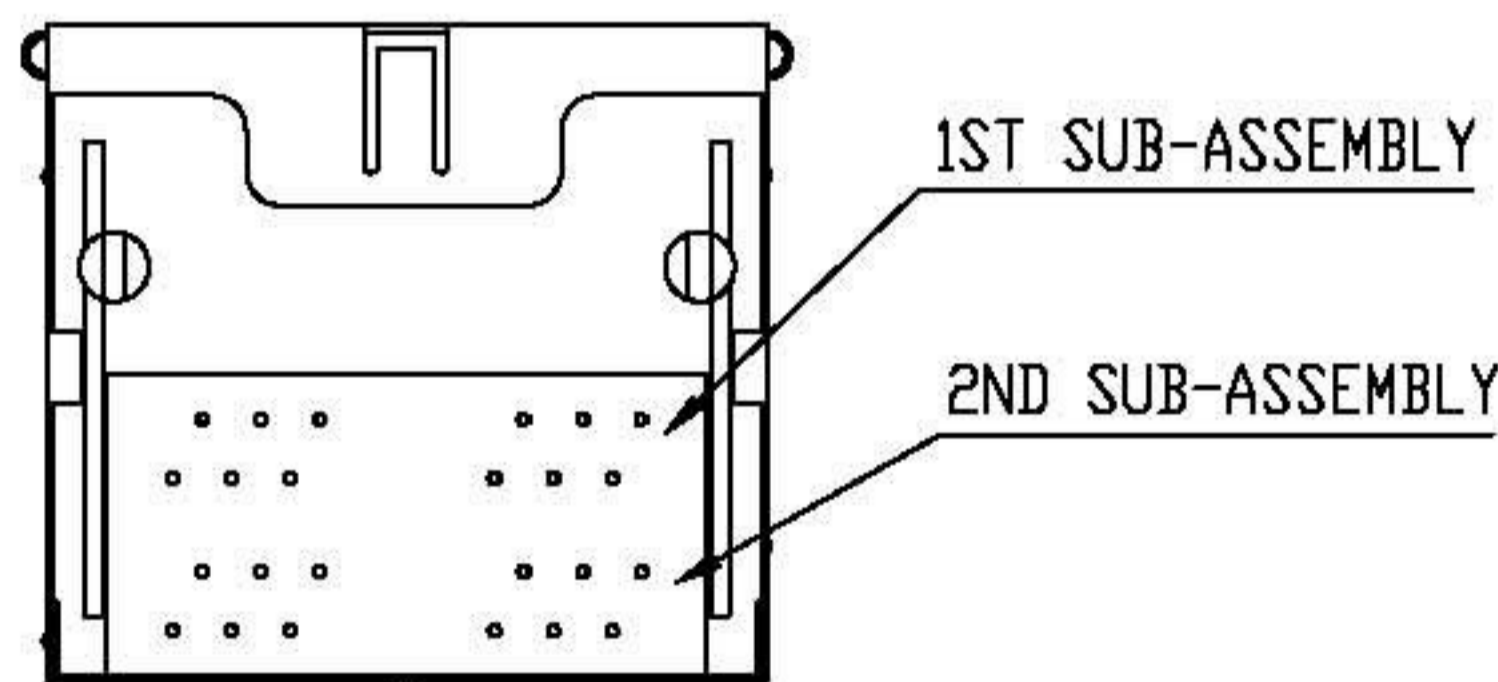
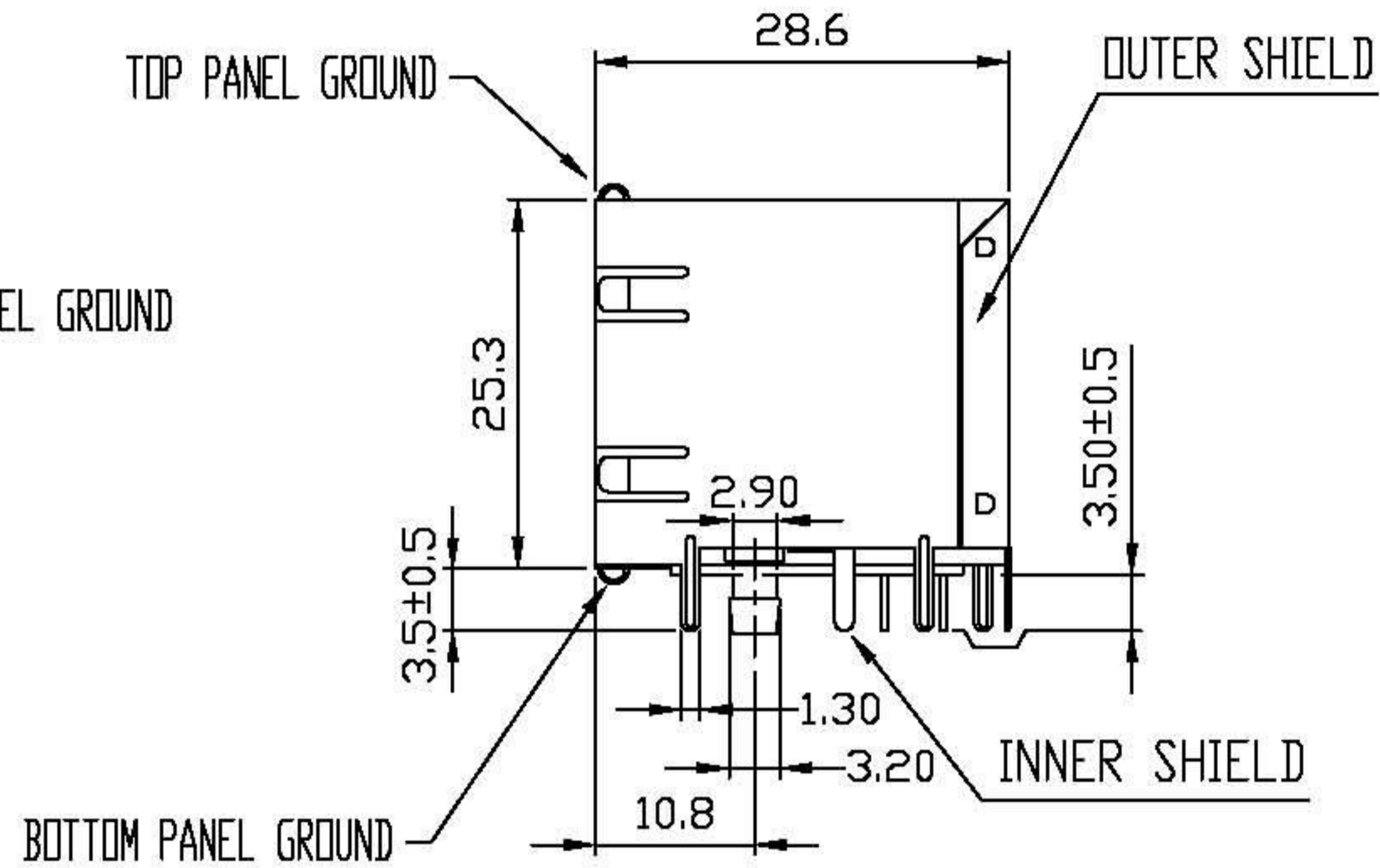
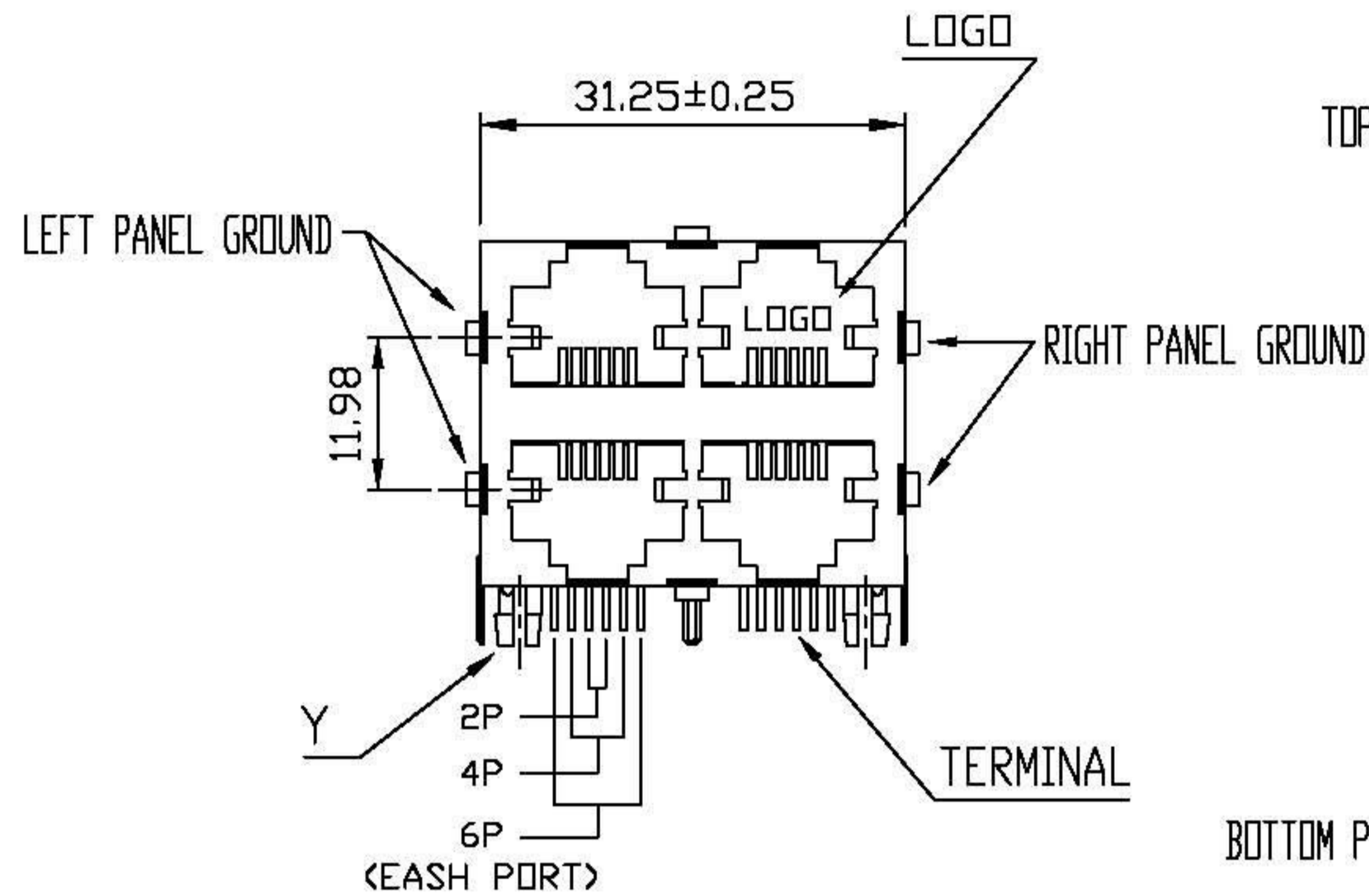


# RoHS Compliance



DO NOT SCALE DRAWING	TOLERANCES UNLESS OTHERWISE NOTED	INCH	MM	DR. CIAN.CI.LUO	DATE NOV-24 '09
THIRD ANGLE PROJECTION	LINEAR	MM INCH	$00 \pm .01$ $000 \pm .005$ $0000 \pm .002$	CK'D M.CHANG	NOV-24 '09
MM INCH	ANGLE $\pm 0^\circ 30'$	RADII	$\pm 0.40$ $- 0.15$	APP'D W.J.YANG	NOV-25 '09

E-YUNG ENTERPRISE CO., LTD.					
TITLE 2X2 6POSITIONS RIGHT ANGLE SHIELDED PCB JACK					
SCALE	SIZE	DWG.NO.	REV.	SHEET	
		973103	2	1	