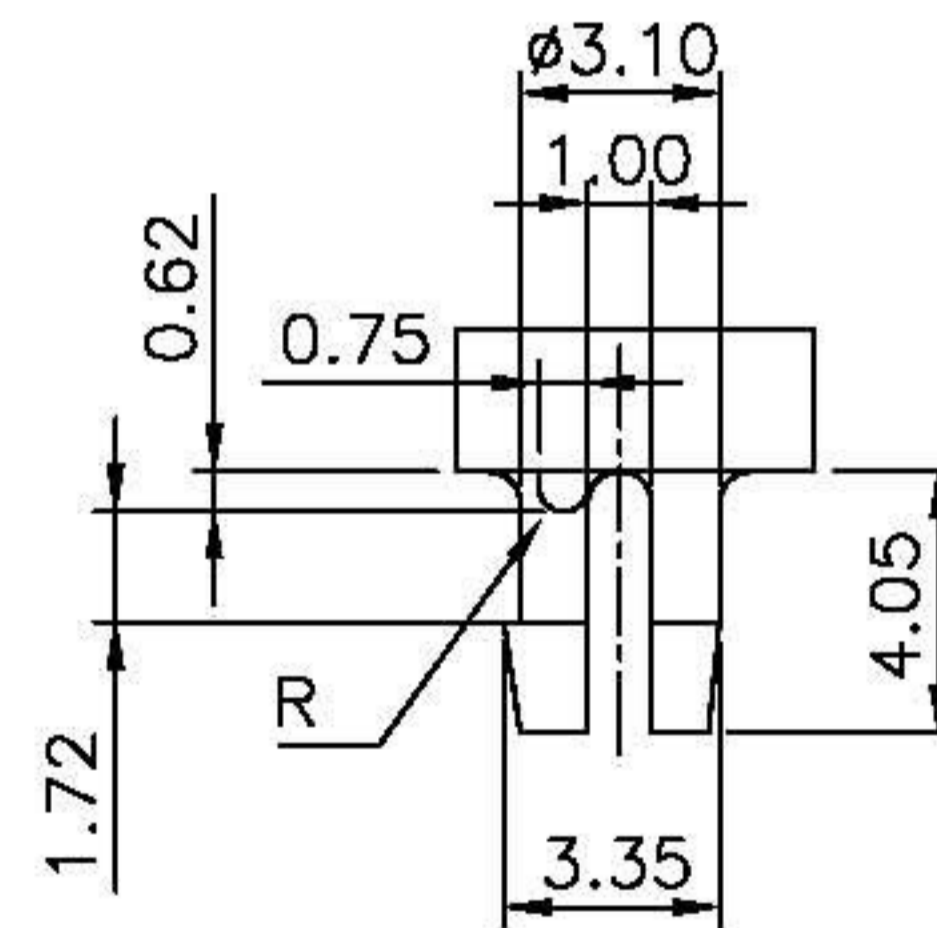
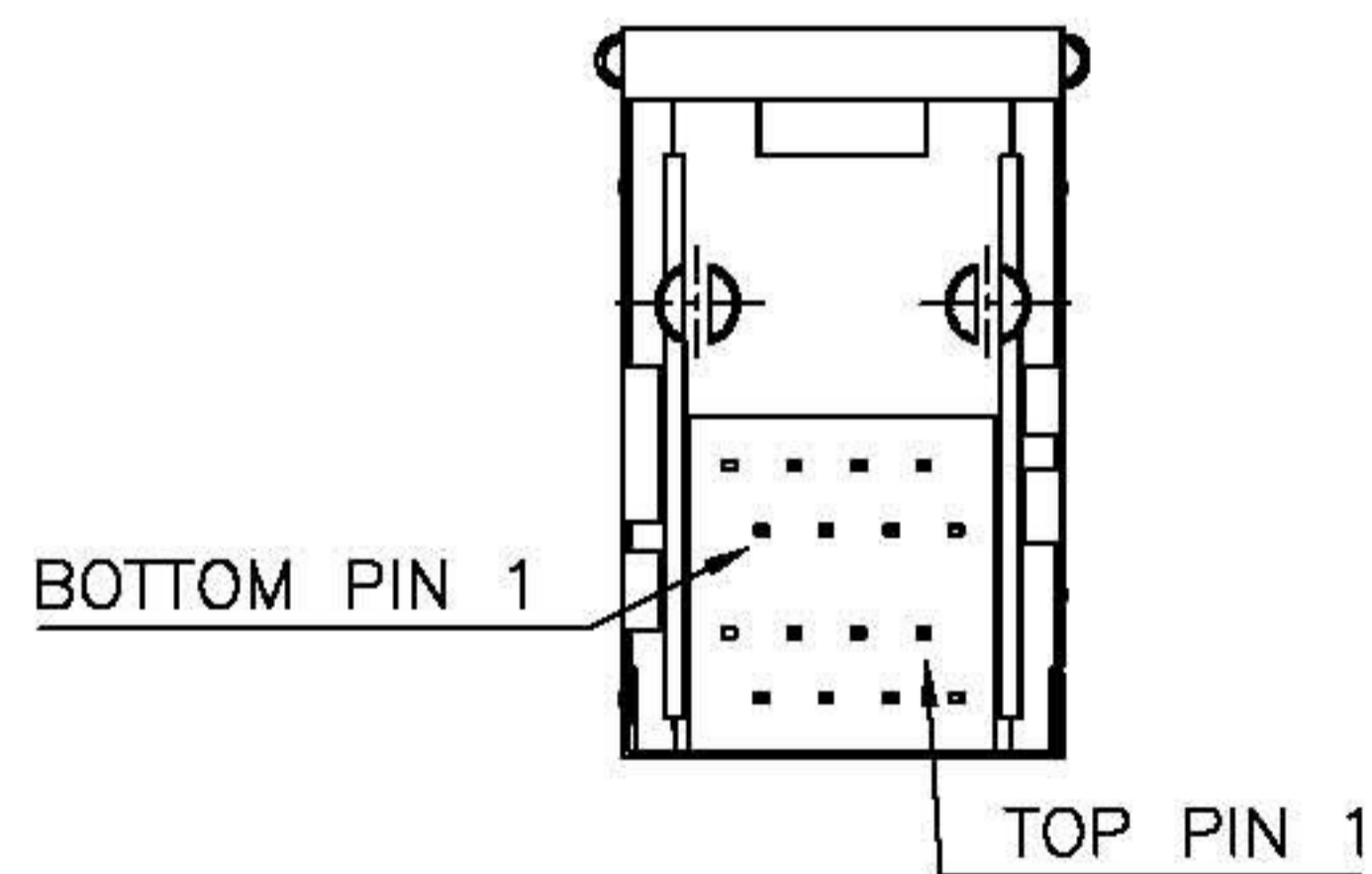
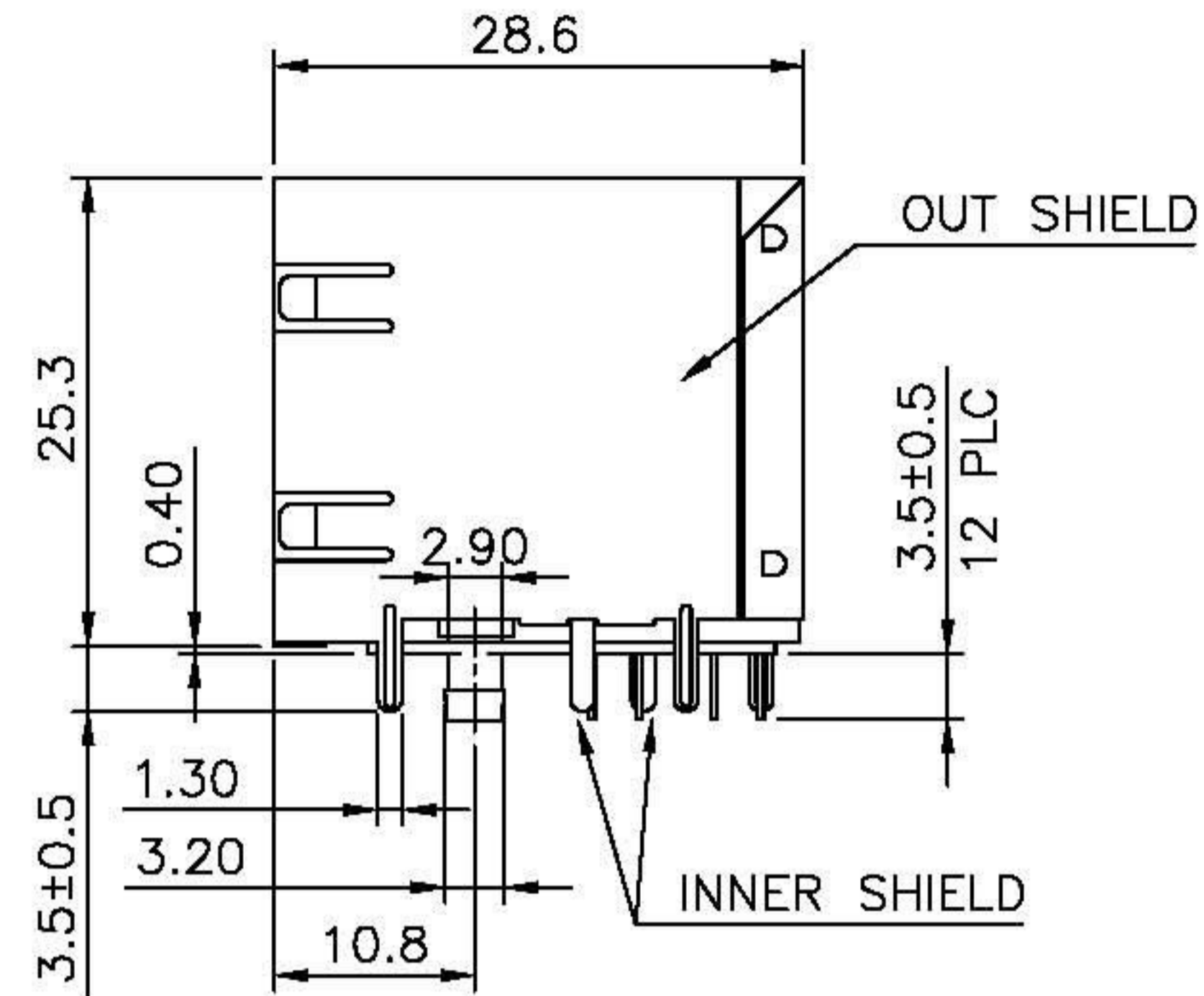
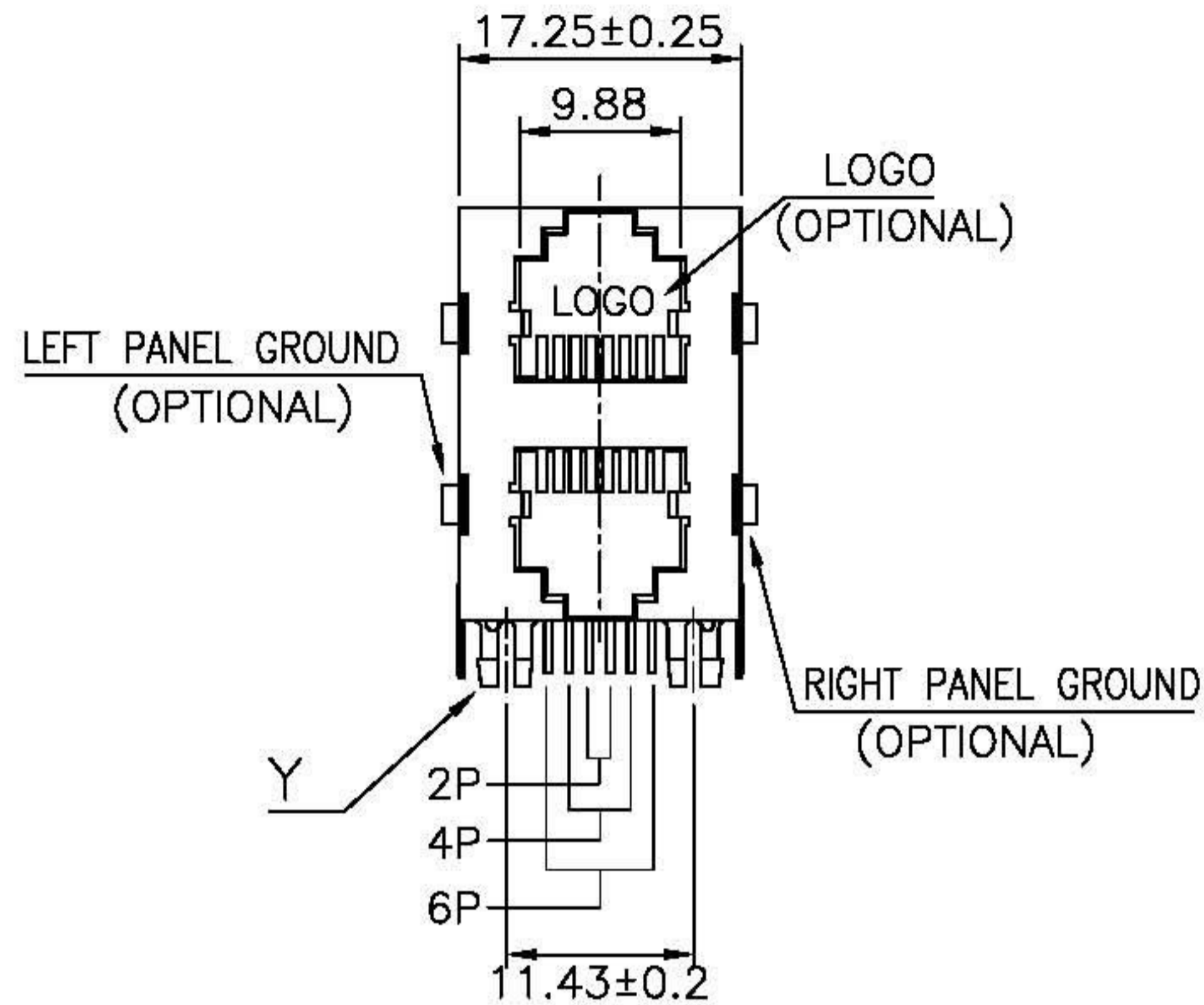
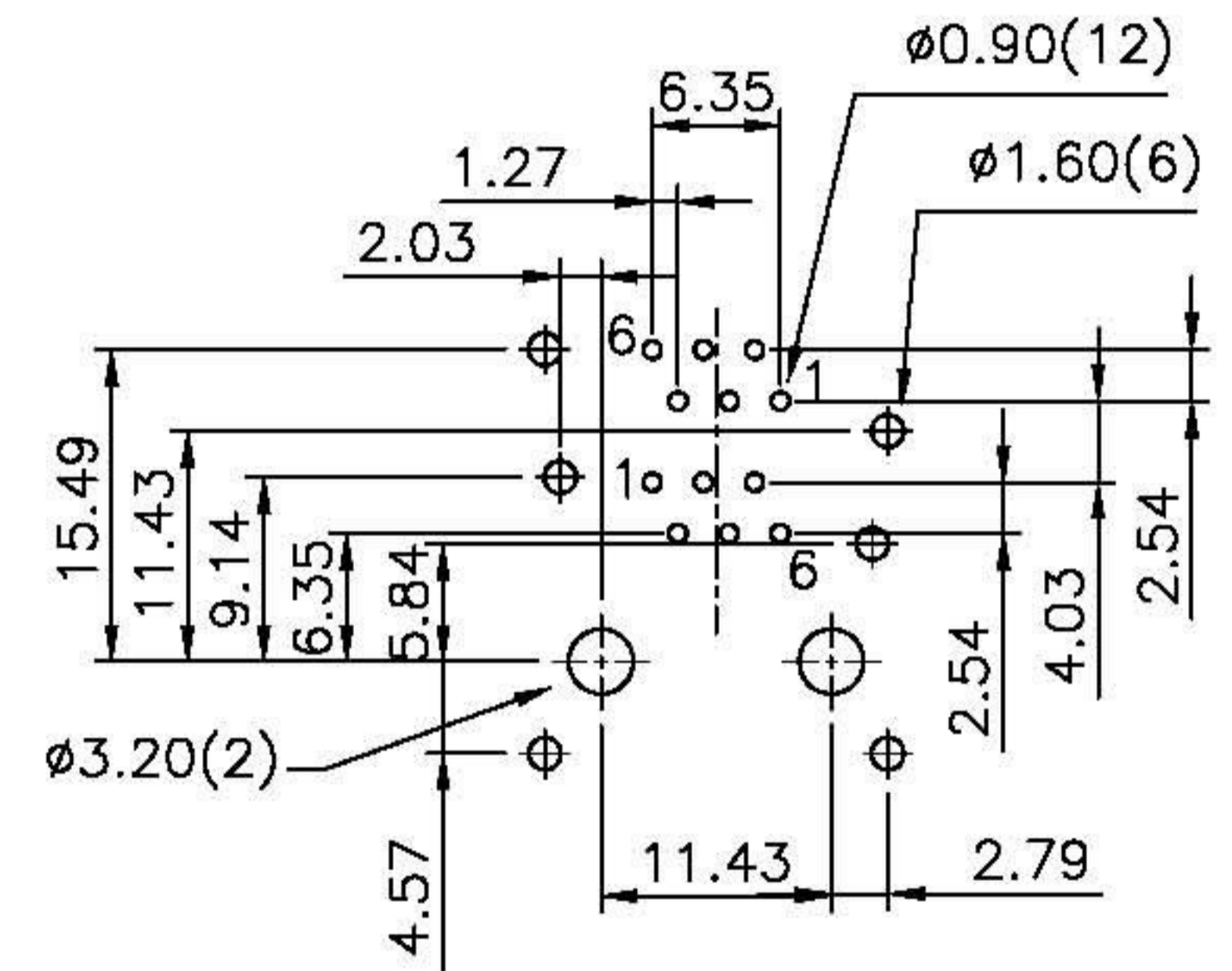


RoHS Compliance



DETAIL Y



PCB LAYOUT
Ref.

DO NOT SCALE DRAWING	TOLERANCES UNLESS OTHERWISE NOTED	INCH	MM	DR. <i>CIAN.CI.LUO</i>	DATE NOV-24 '09	E-YUNG ENTERPRISE CO., LTD.				
THIRD ANGLE PROJECTION	LINEAR	MM INCH	00 ± .01 000 ± .005 0000 ± .002	0.0 ± 0.25 0.00 ± 0.13 0.000 ± 0.05	CK'D <i>M.CHANG</i>	NOV-24 '09	TITLE 2X1 6POSITIONS RIGHT ANGLE SHIELDED PCB JACK			
MM INCH	ANGLE ± 0° 30'	RADII	± 0.40 - 0.15	APP'D <i>W.J.YANG</i>	NOV-25 '09	SCALE	SIZE	DWG.NO. 973101	REV. 4	SHEET 1