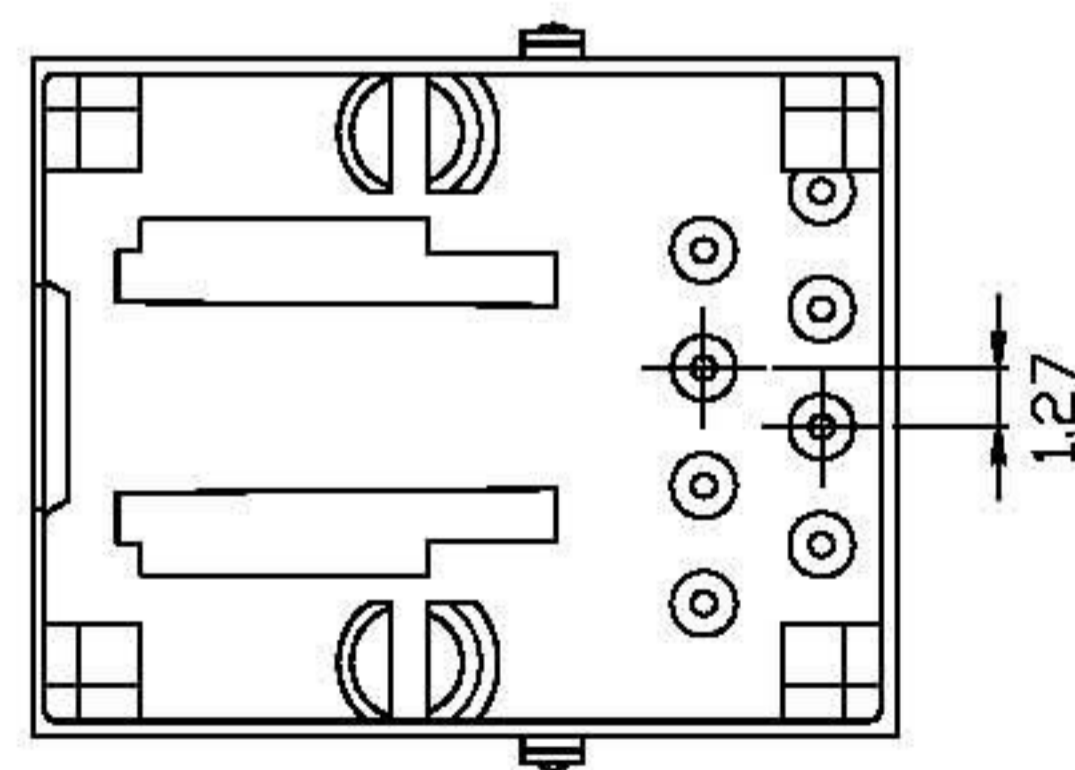
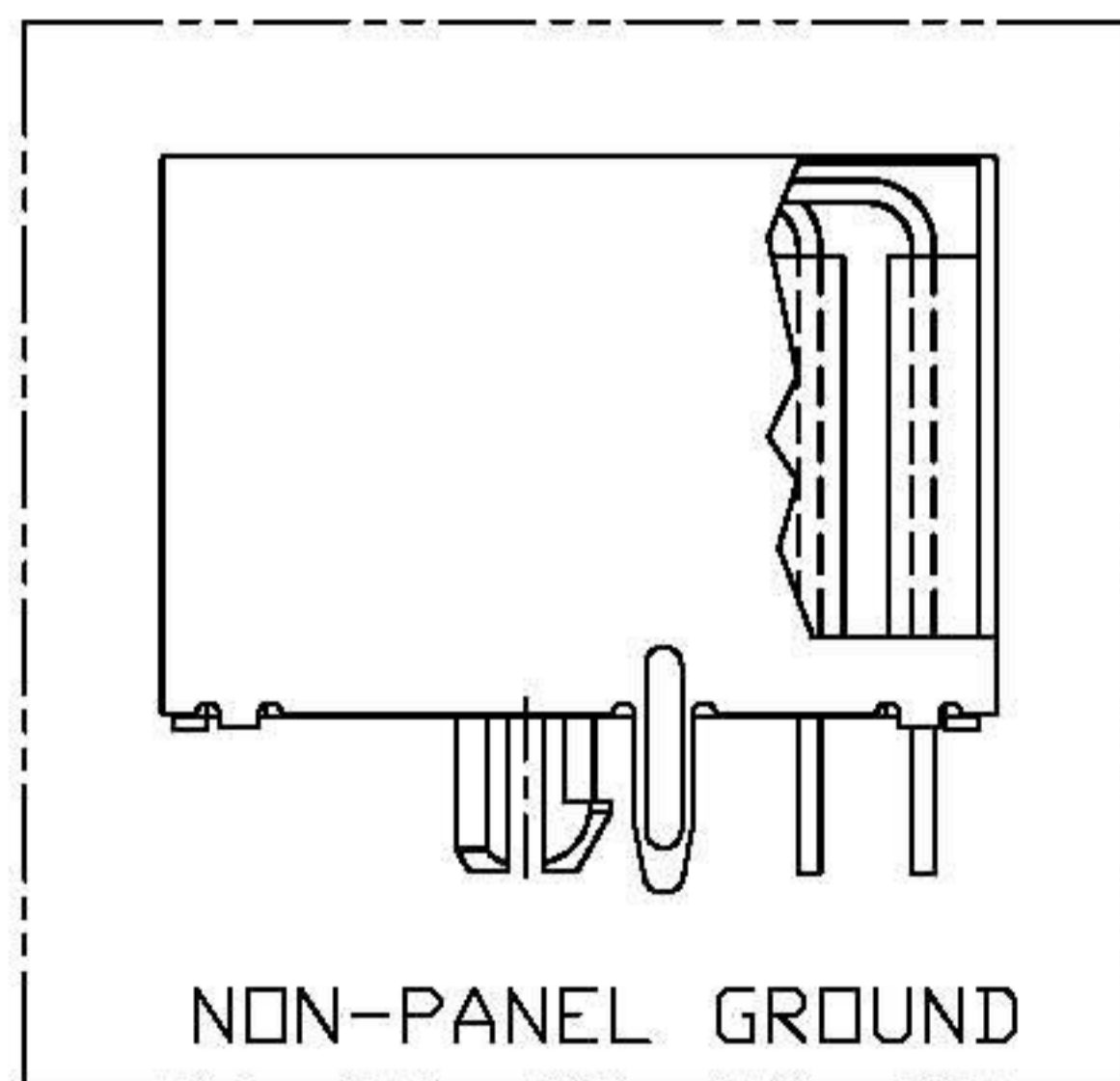


RJ45
PC Board Layout



DO NOT SCALE DRAWING	TOLERANCES UNLESS OTHERWISE NOTED	INCH	MM	DR. M.L.HUANG	DATE JUN-19 '00	E-YUNG ENTERPRISE CO., LTD.	
THIRD ANGLE PROJECTION	LINEAR	MM INCH	00 ± .01 000 ± .005 0000 ± .002	0.0 ± 0.25 0.00 ± 0.13 0.000 ± 0.05	CK'D M.CHANG	JUN-19 '00	TITLE 8POS SHIELDED FILTERED & FILTERLESS SIDE ENTRY PCB JACK
MM INCH	ANGLE ± 0° 30'	RADII	+ 0.40 - 0.15	APP'D W.J.YANG	JUL-04 '00	SCALE SIZE DWG.NO. 972106	REV. SHEET 1 1