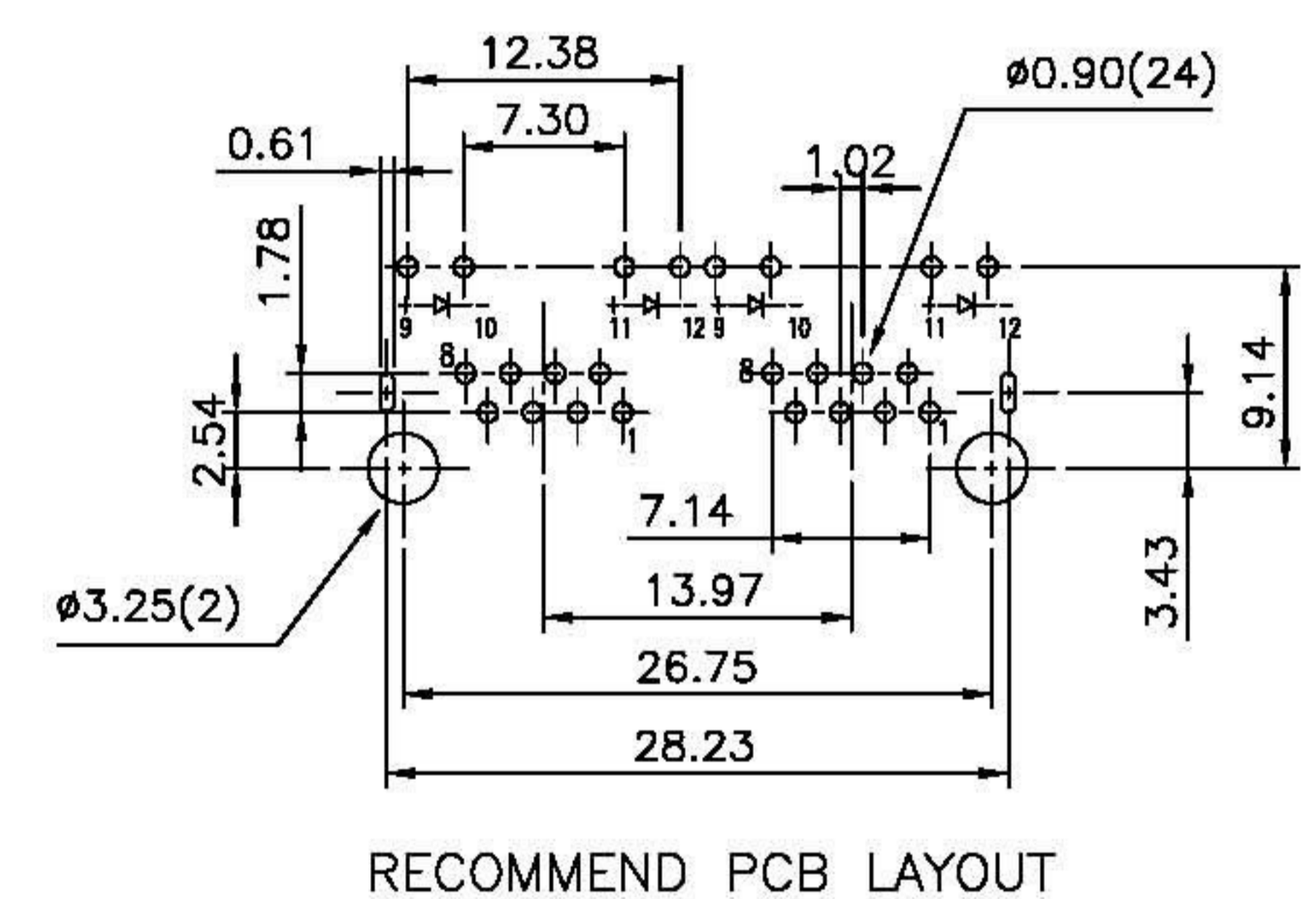
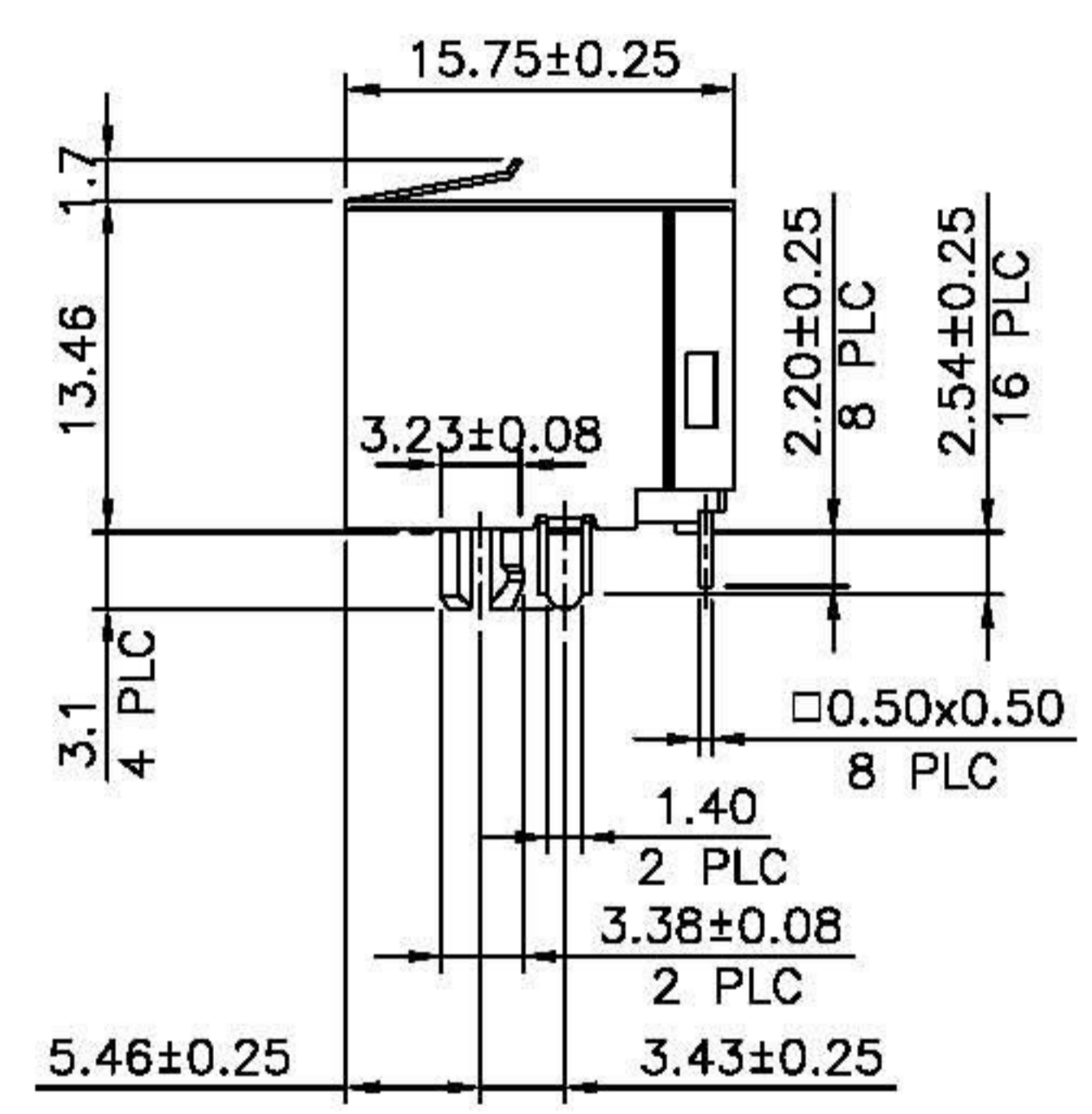
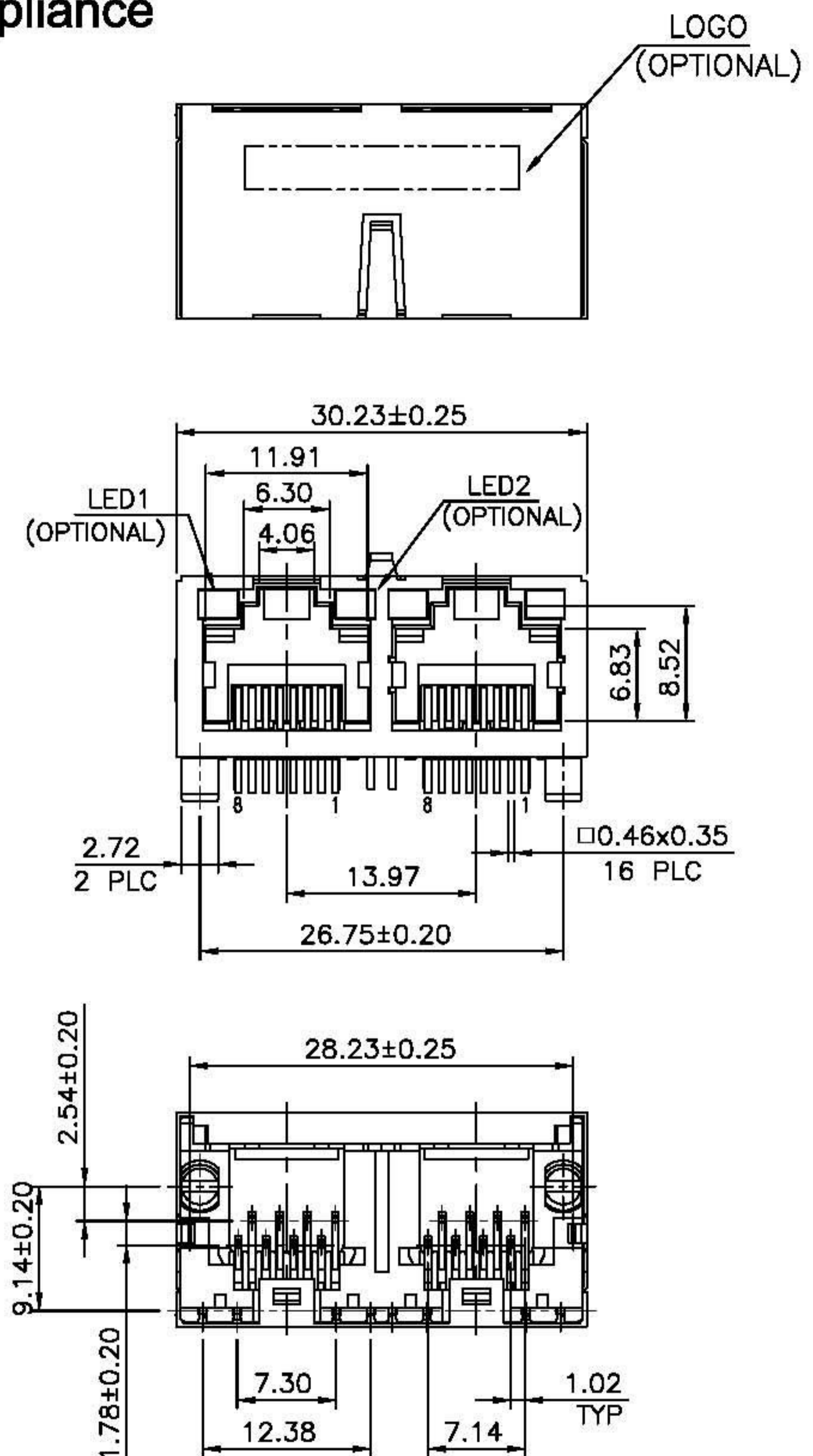


# RoHS Compliance



PS. 鐵殼及塑體為客戶模具

DO NOT SCALE DRAWING	TOLERANCES UNLESS OTHERWISE NOTED	INCH	MM	DR. <i>M.L.HUANG</i>	DATE JAN-29 '10
THIRD ANGLE PROJECTION	LINEAR	MM INCH	0.0±0.25 0.00±0.13 0.000±0.05	CK'D <i>M.CHANG</i>	JAN-29 '10
MM INCH	ANGLE ±0° 30'	RADII	+0.40 -0.15	APP'D <i>W.J.YANG</i>	JAN-30 '10

E-YUNG ENTERPRISE CO., LTD.					
TITLE		2PORTS, 8POSITION, WITH LED'S SHIELDED, SIDE ENTRY PCB GANGED JACK			
SCALE	SIZE	DWG.NO.	REV.	SHEET	
		971453	1	1	