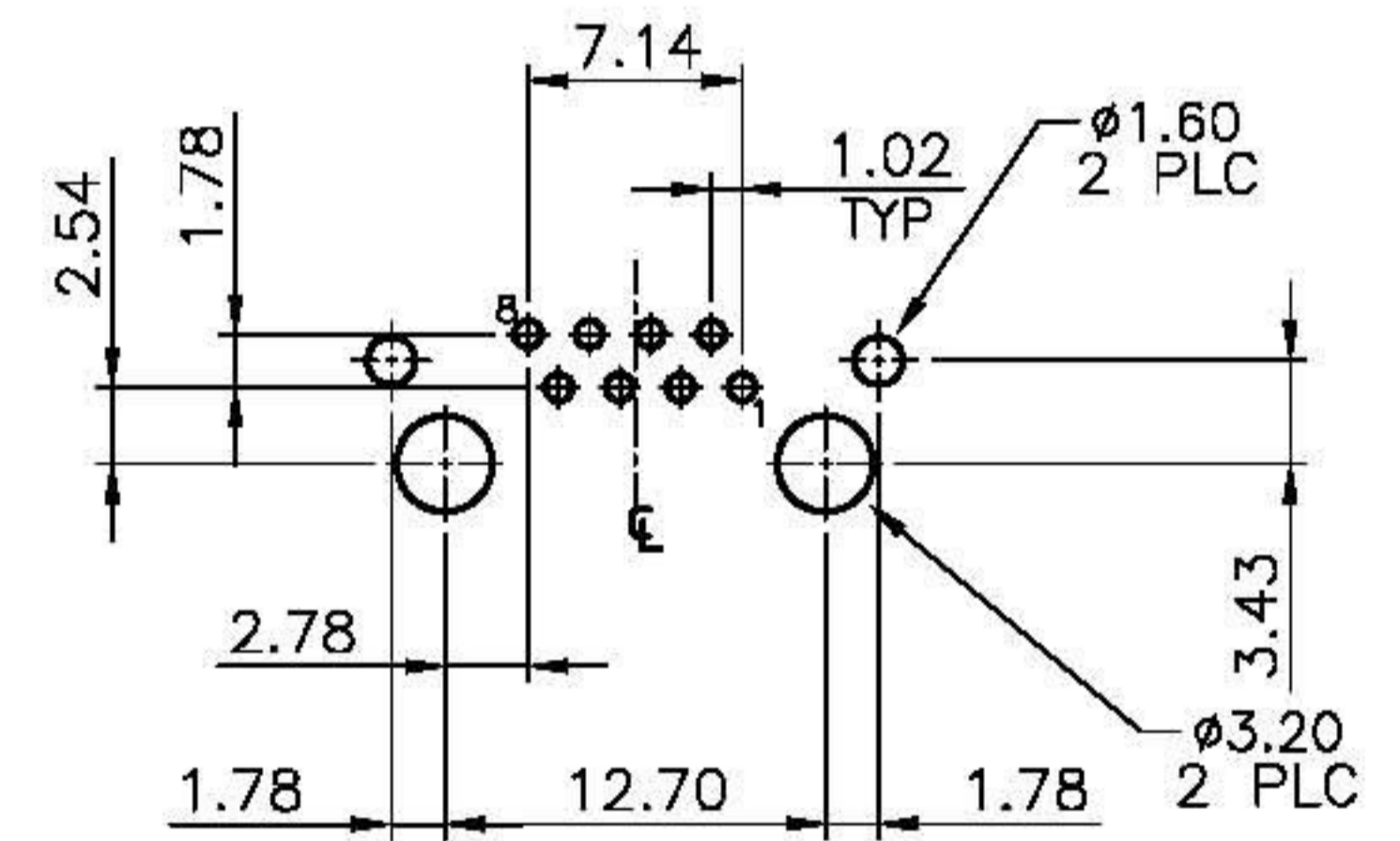
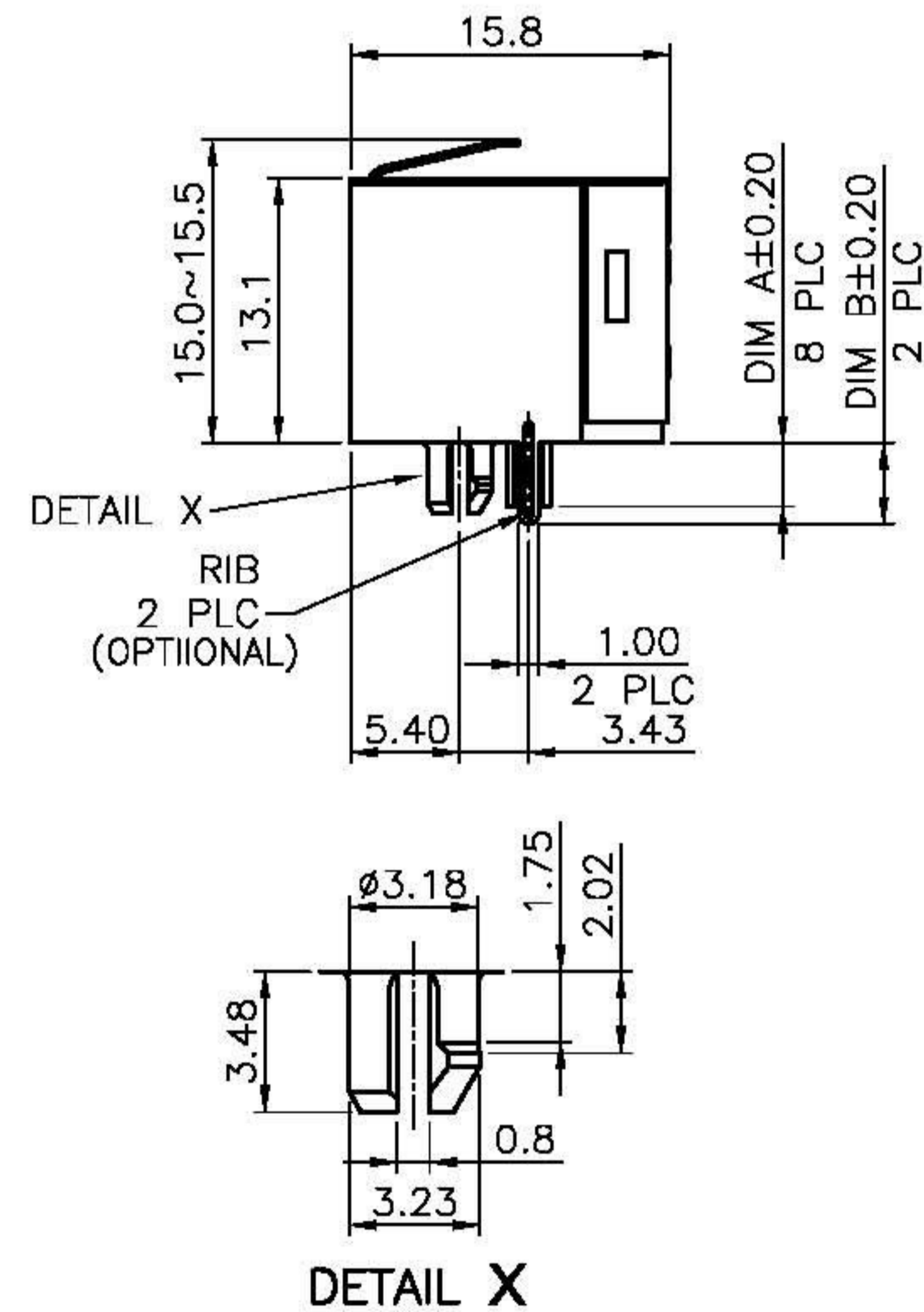
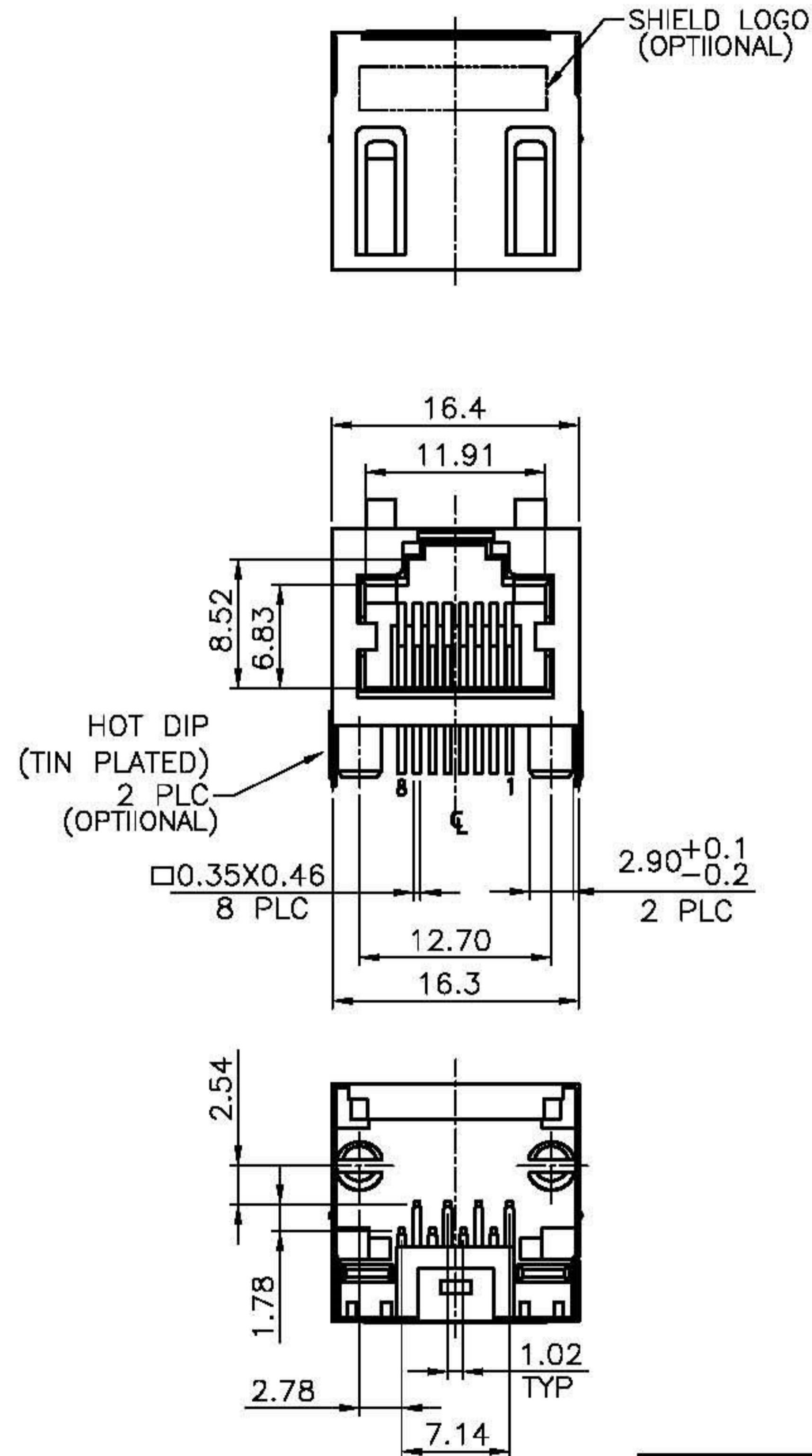


# RoHS Compliance



PCB LAYOUT (TOP VIEW)  
RECOMMENDED

DO NOT SCALE DRAWING	TOLERANCES UNLESS OTHERWISE NOTED	INCH	MM	DR. <i>M.L.HUANG</i>	DATE FEB-20 '08	E-YUNG ENTERPRISE CO., LTD.				
THIRD ANGLE PROJECTION	LINEAR MM INCH	00± 000± 0000±	0.0±0.25 0.00±0.13 0.000±0.05	CK'D <i>M.CHANG</i>	FEB-20 '08	TITLE	RJ45, WITHOUT LED, SHIELDED FLAT PIN, SIDE ENTRY JACK			
MM INCH	ANGLE ±0° 30'	RADII	+0.40 -0.15	APP'D <i>W.J.YANG</i>	FEB-21 '08	SCALE	SIZE	DWG.NO. 971450	REV. 1	SHEET 1