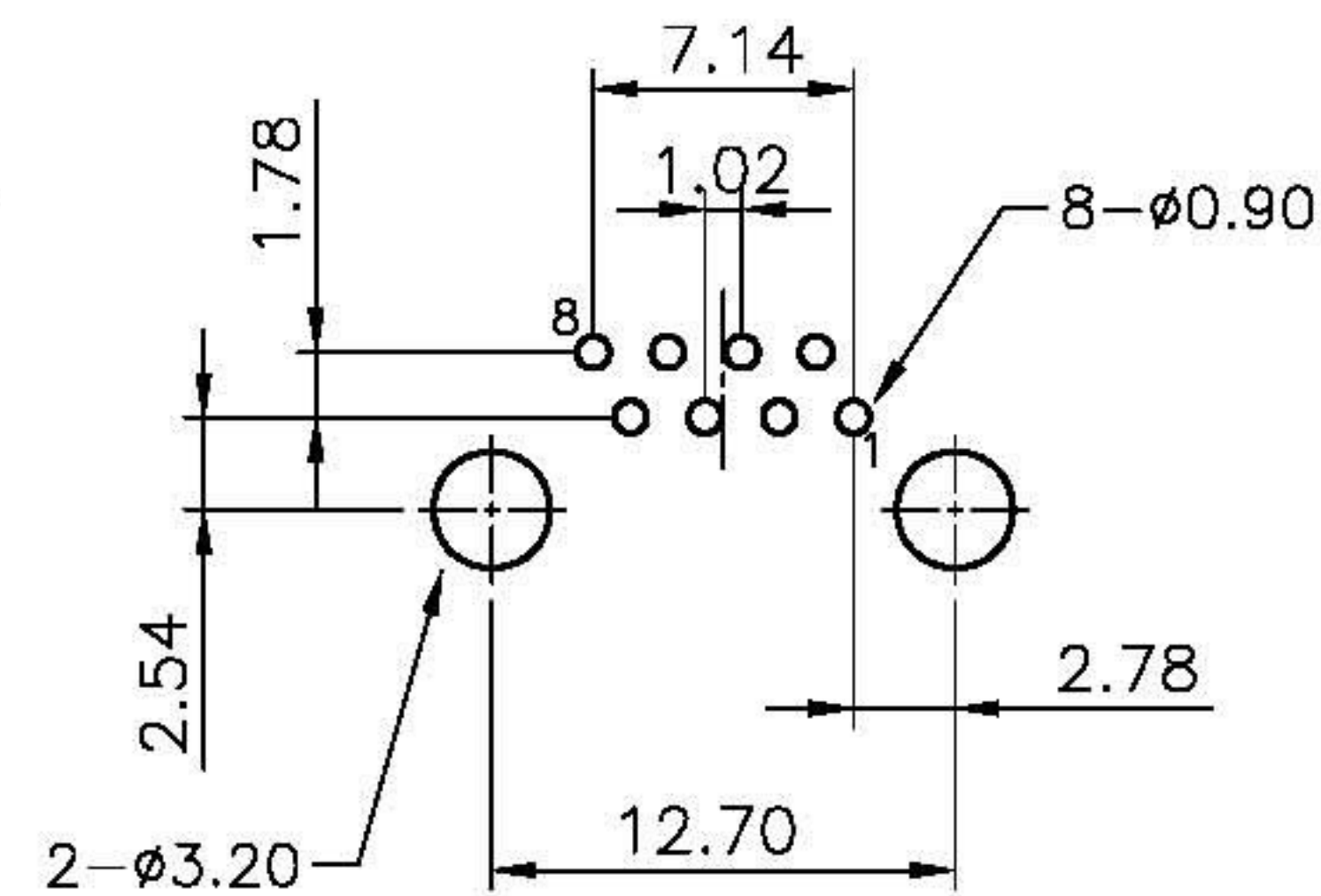
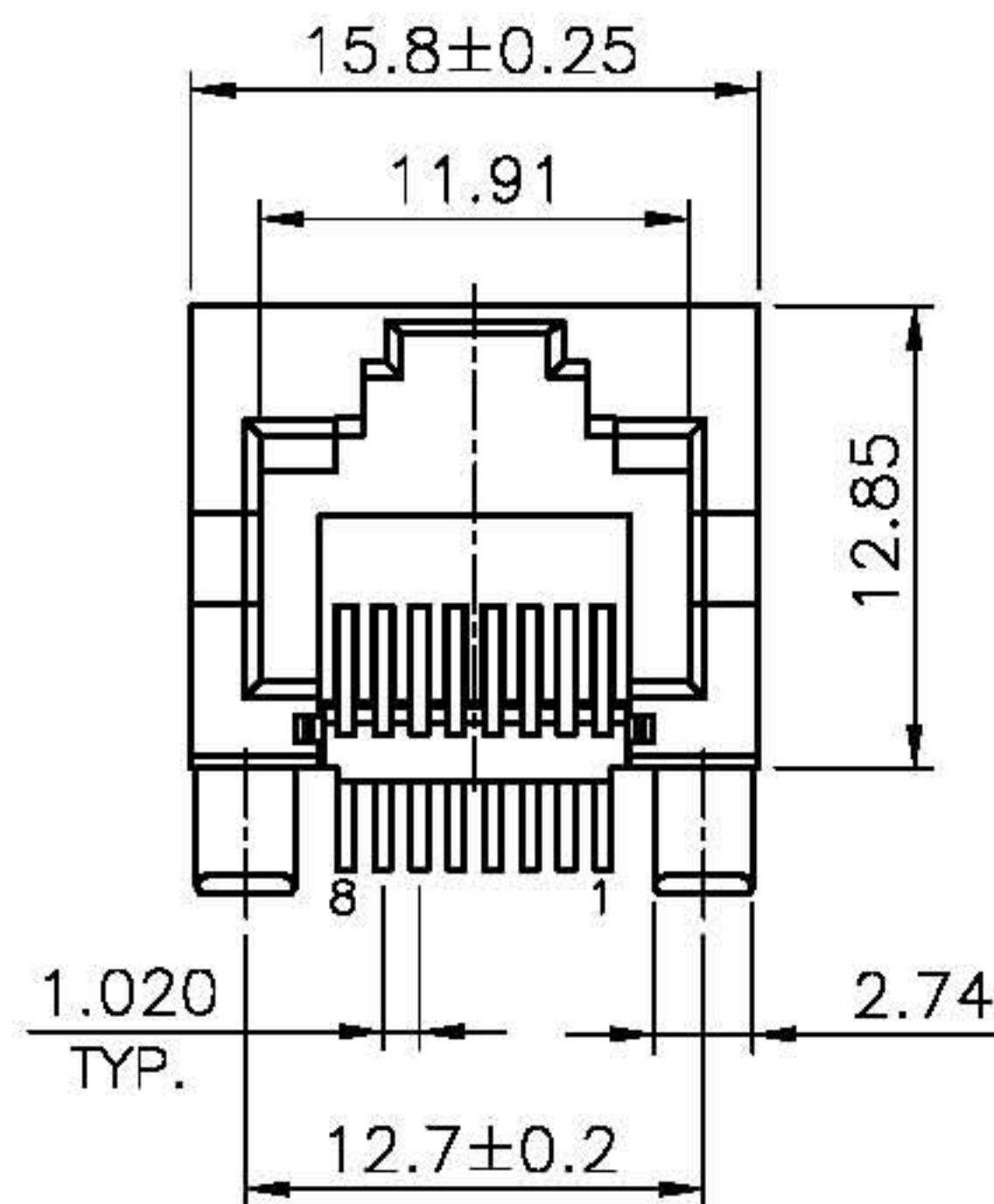
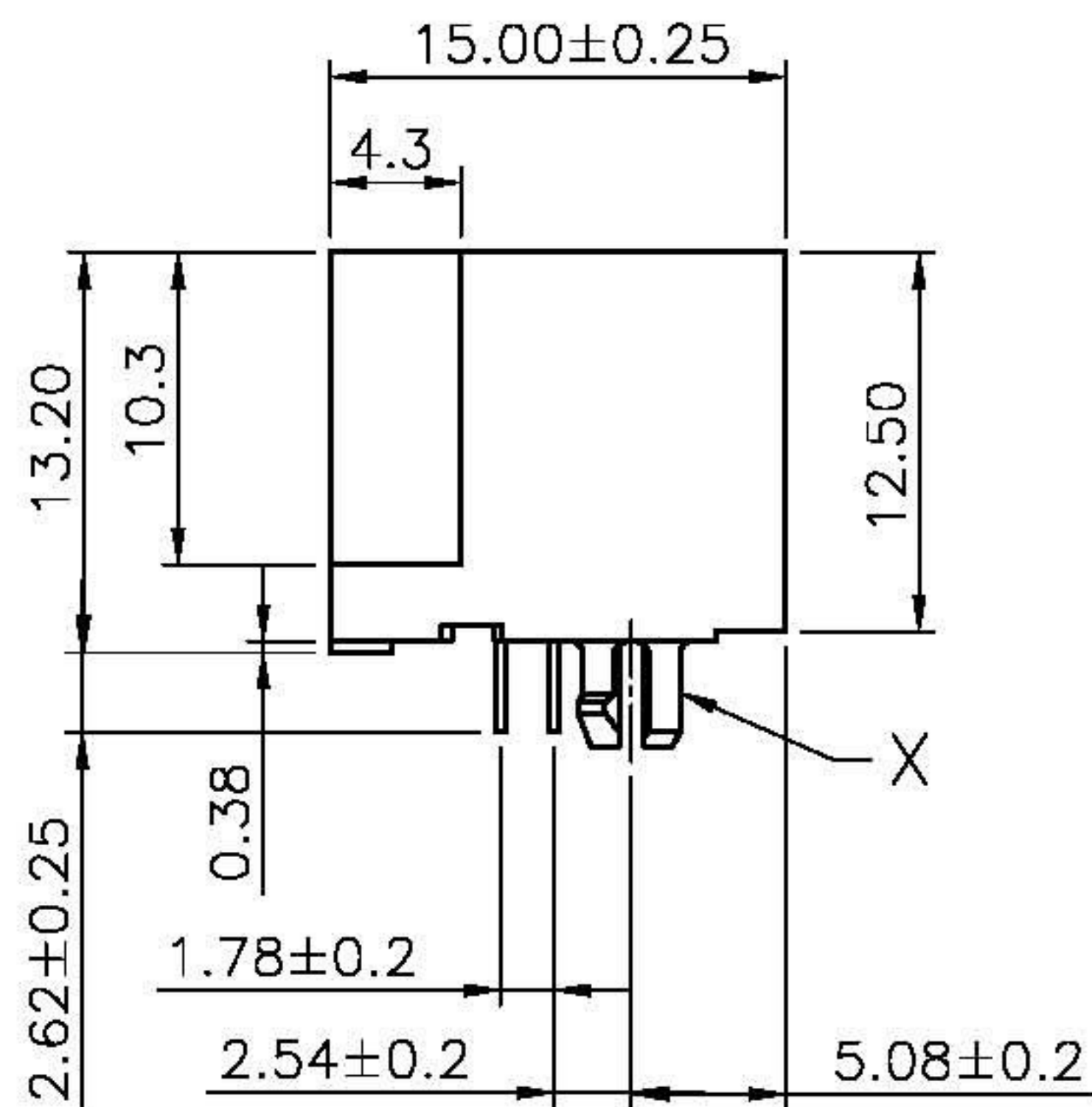
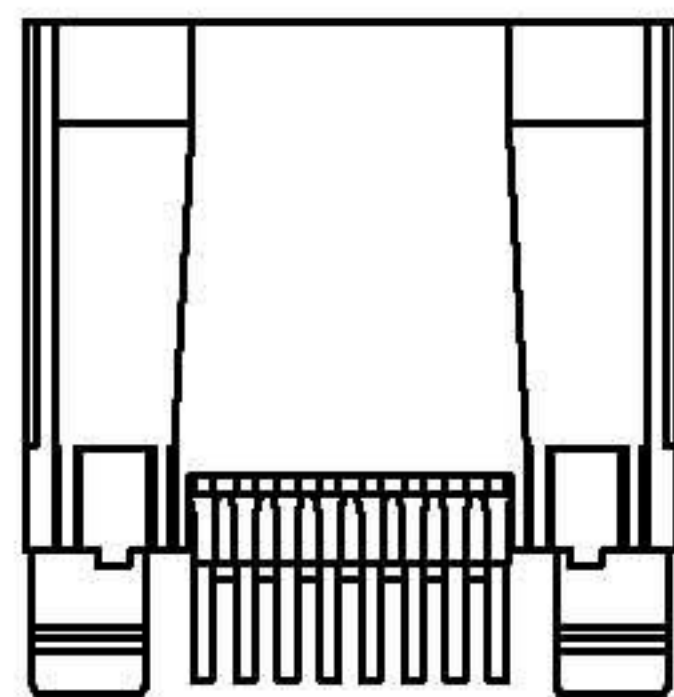
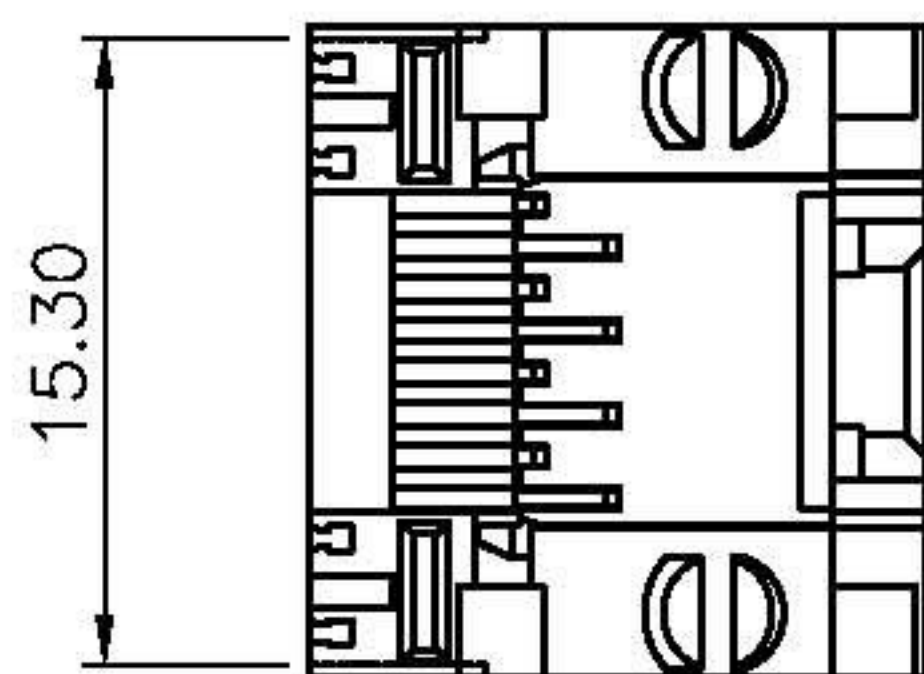
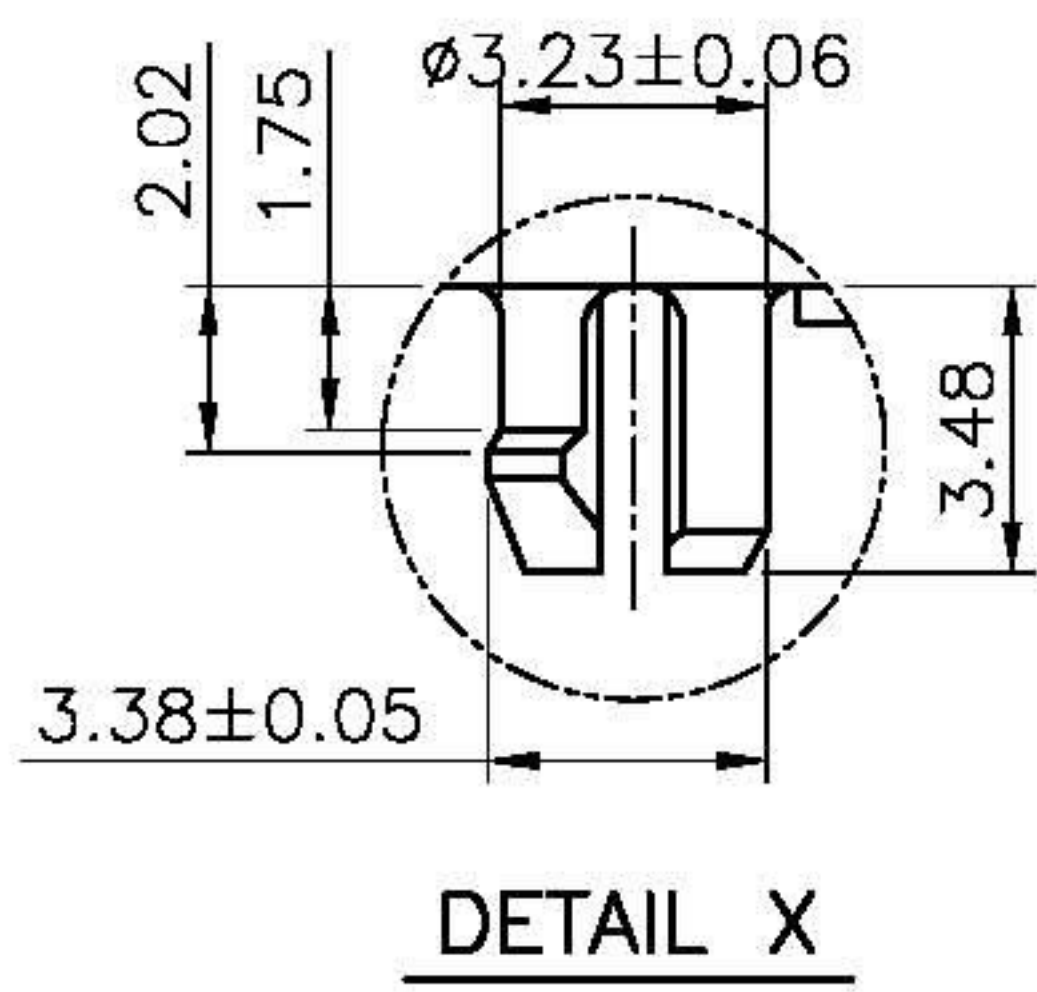


RoHS Compliance



PCB LAYOUT (TOP VIEW)
RECOMMENDED



| | | | | | | | | | | |
|------------------------|-----------------------------------|-------------------|---------------------------|--------------------------|--------------------|---|------|-------------------|-----------|------------|
| DO NOT SCALE DRAWING | TOLERANCES UNLESS OTHERWISE NOTED | INCH | MM | DR. <i>M.L.HUANG</i> | DATE JUL-03 '07 | E-YUNG ENTERPRISE CO., LTD. | | | | |
| THIRD ANGLE PROJECTION | LINEAR | $\frac{MM}{INCH}$ | $00 \pm 000 \pm 0000 \pm$ | CK'D <i>M.CHANG</i> | JUL-03 '07 | TITLE RJ45, W/O LED FLAT PIN, SIDE ENTRY JACK | | | | |
| $\frac{MM}{INCH}$ | ANGLE $\pm 0^{\circ} 30'$ | RADII | ± 0.40 -0.15 | APP'D <i>W.J.YANG</i> | JUL-04 '07 | SCALE | SIZE | DWG.NO. 971449 | REV. 1 | SHEET 1 |