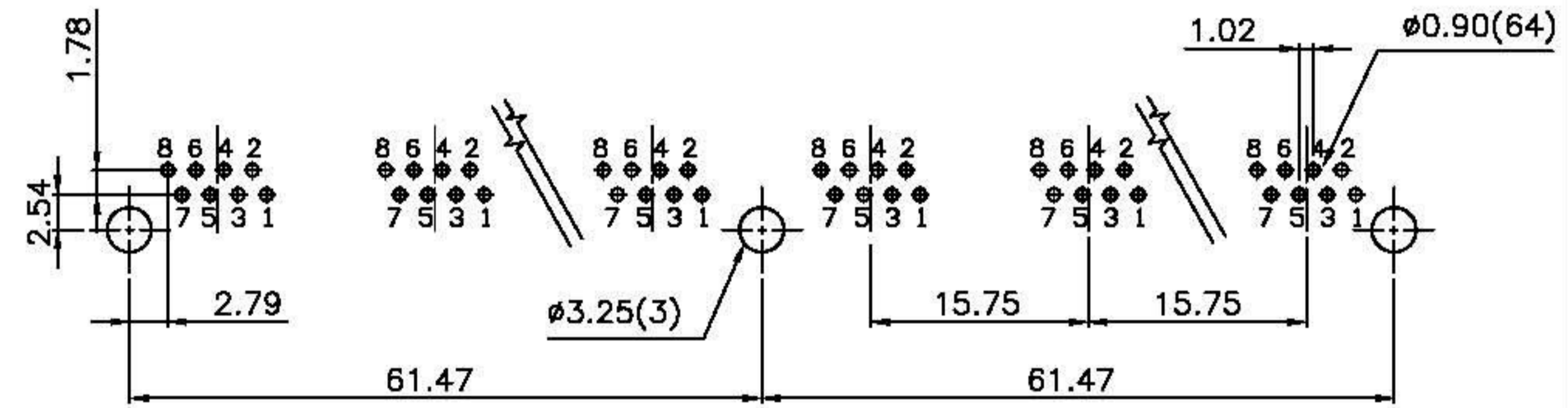
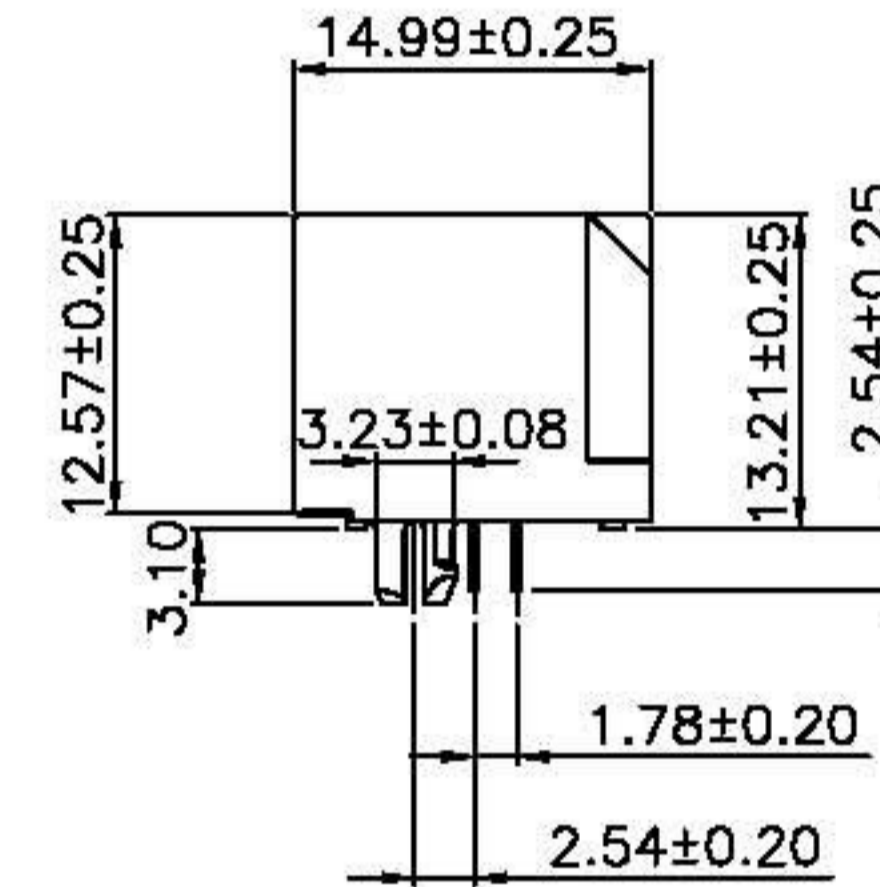
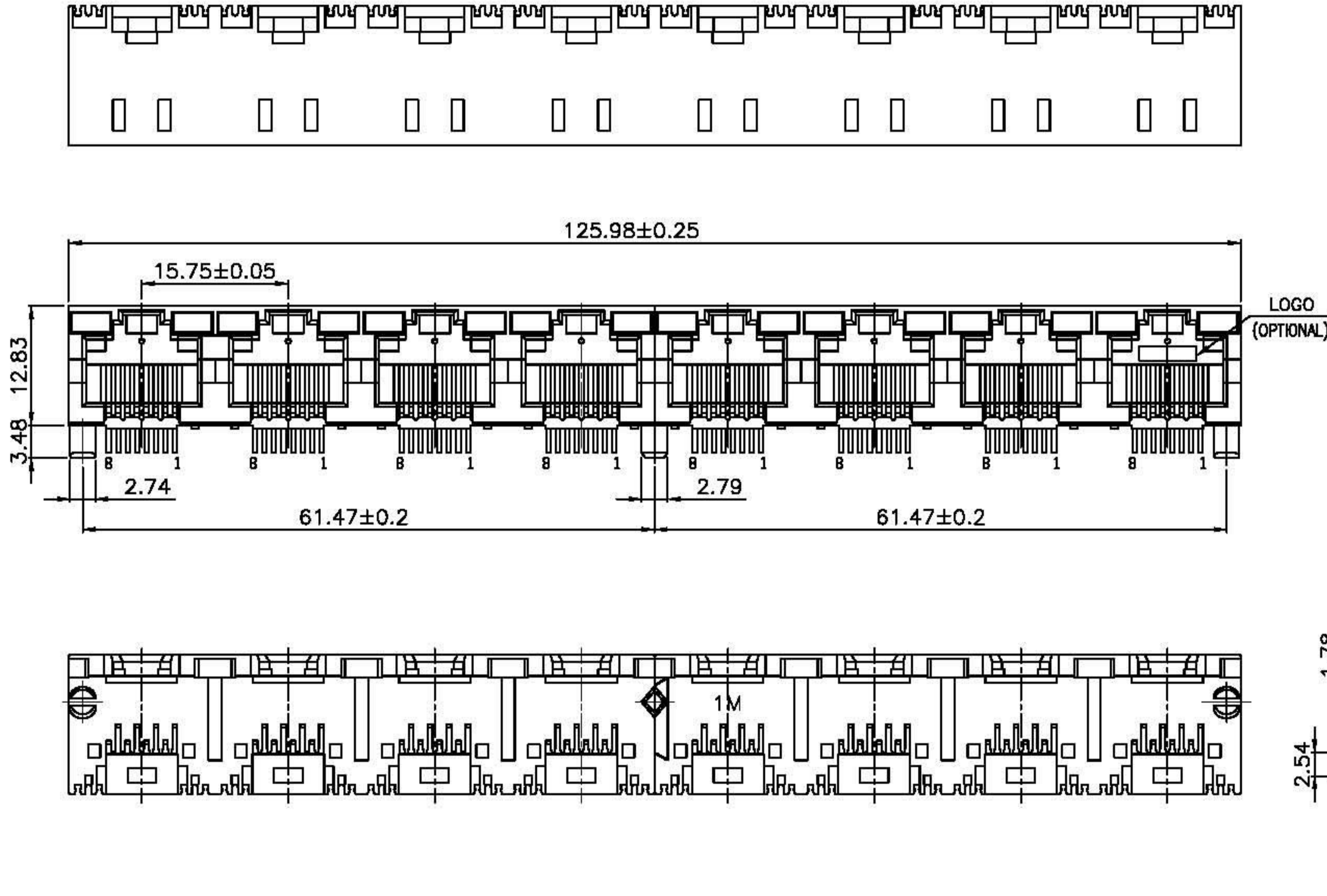


RoHS Compliance



PCB Layout (Ref.)

DO NOT SCALE DRAWING	TOLERANCES UNLESS OTHERWISE NOTED	INCH	MM	DR. <i>CIAN.CI.LUO</i>	DATE NOV-20 '09
THIRD ANGLE PROJECTION	LINEAR	MM INCH	0.0 ± 0.25 0.00 ± 0.13 0.000 ± 0.05	CK'D <i>M.CHANG</i>	NOV-20 '09
MM INCH	ANGLE ± 0° 30'	RADII	+0.40 -0.15	APP'D <i>W.J.YANG</i>	NOV-20 '09

<b>E-YUNG ENTERPRISE CO., LTD.</b>					
TITLE		8PORTS, RJ45, WITH LED'S SHIELDED, SIDE ENTRY PCB GANGED JACK			
SCALE	SIZE	DWG.NO.	REV.	SHEET	
		971448	3	1	