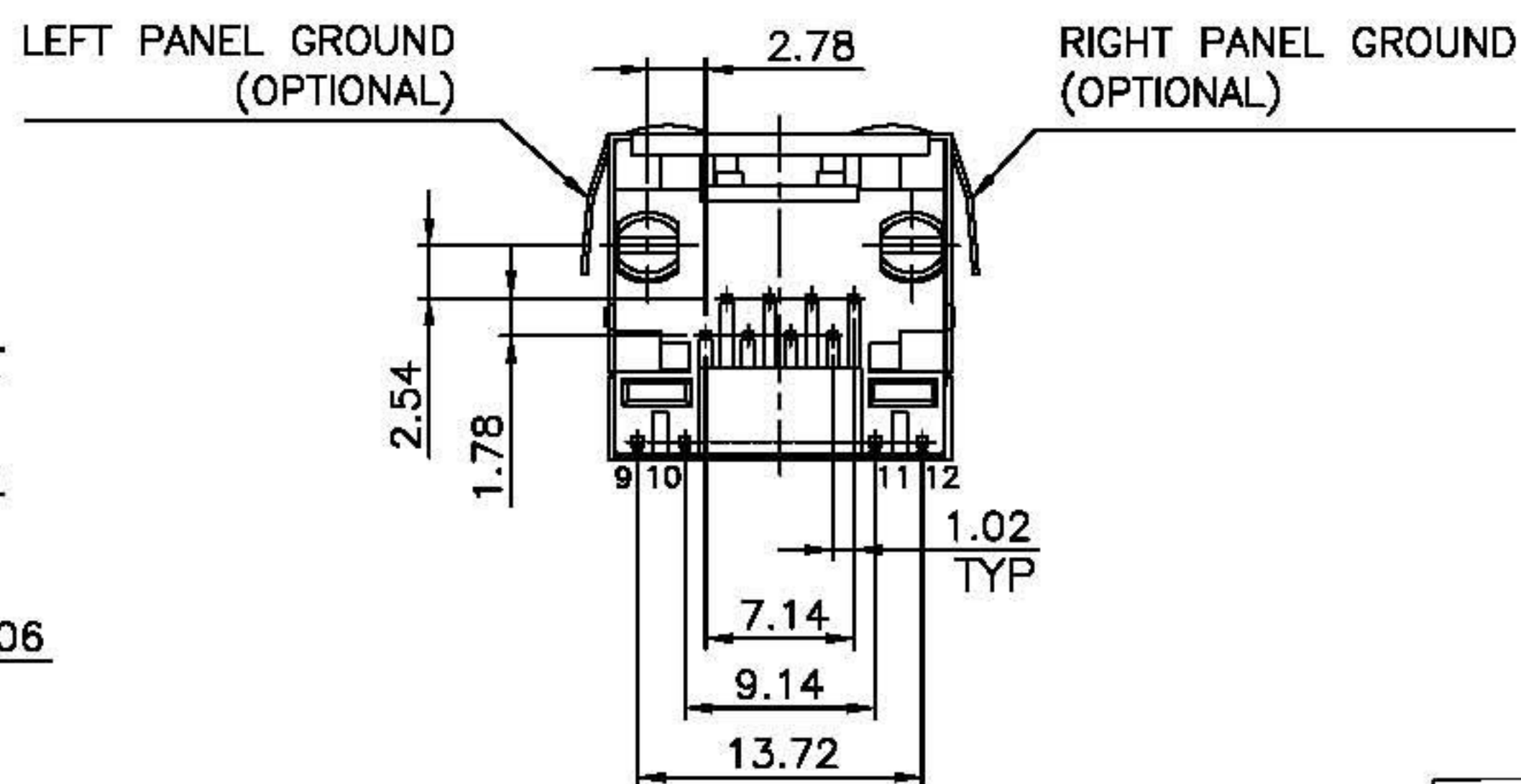
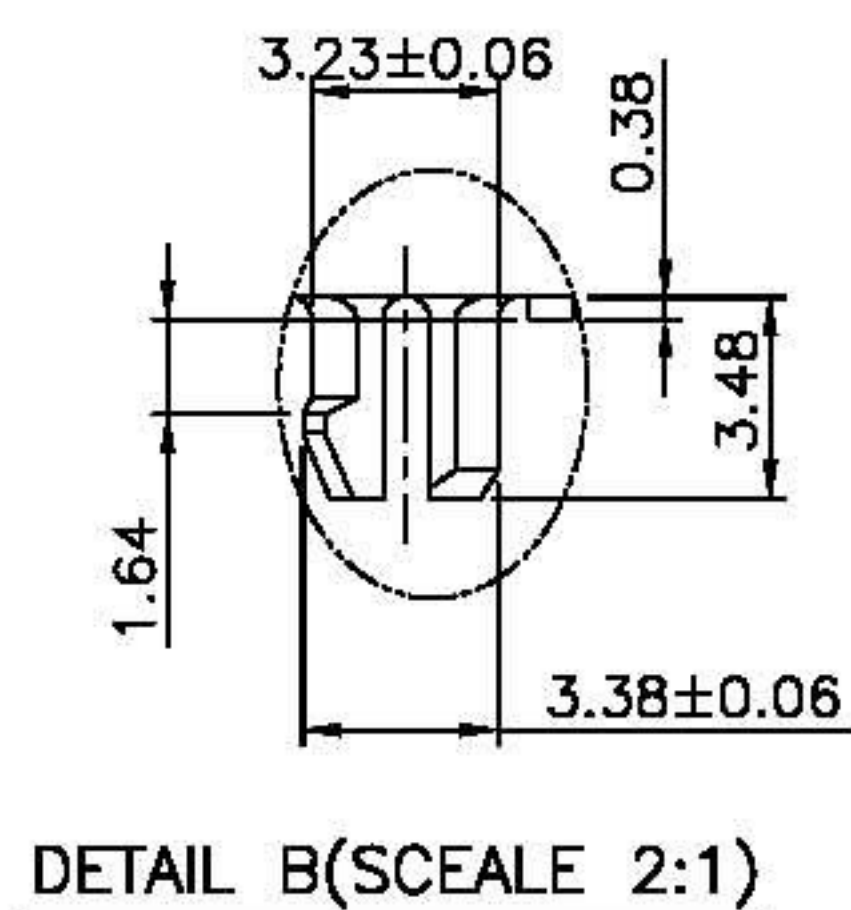
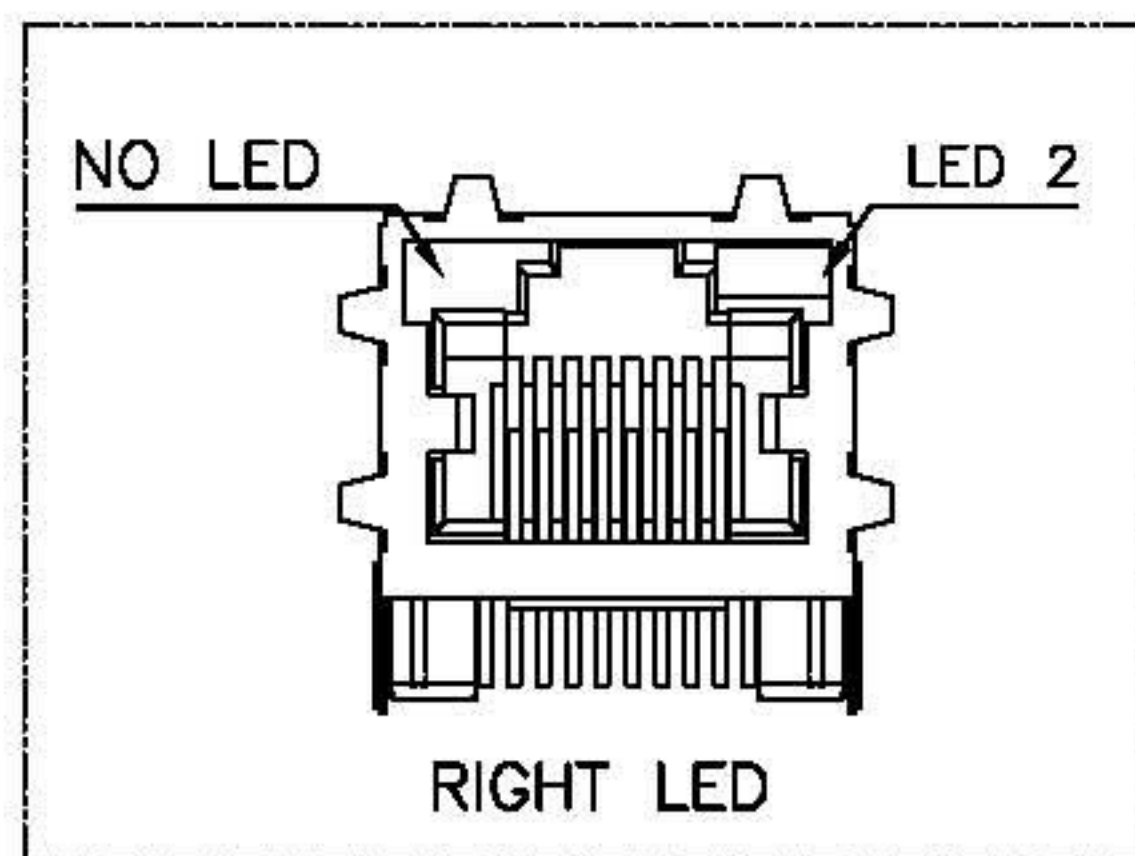
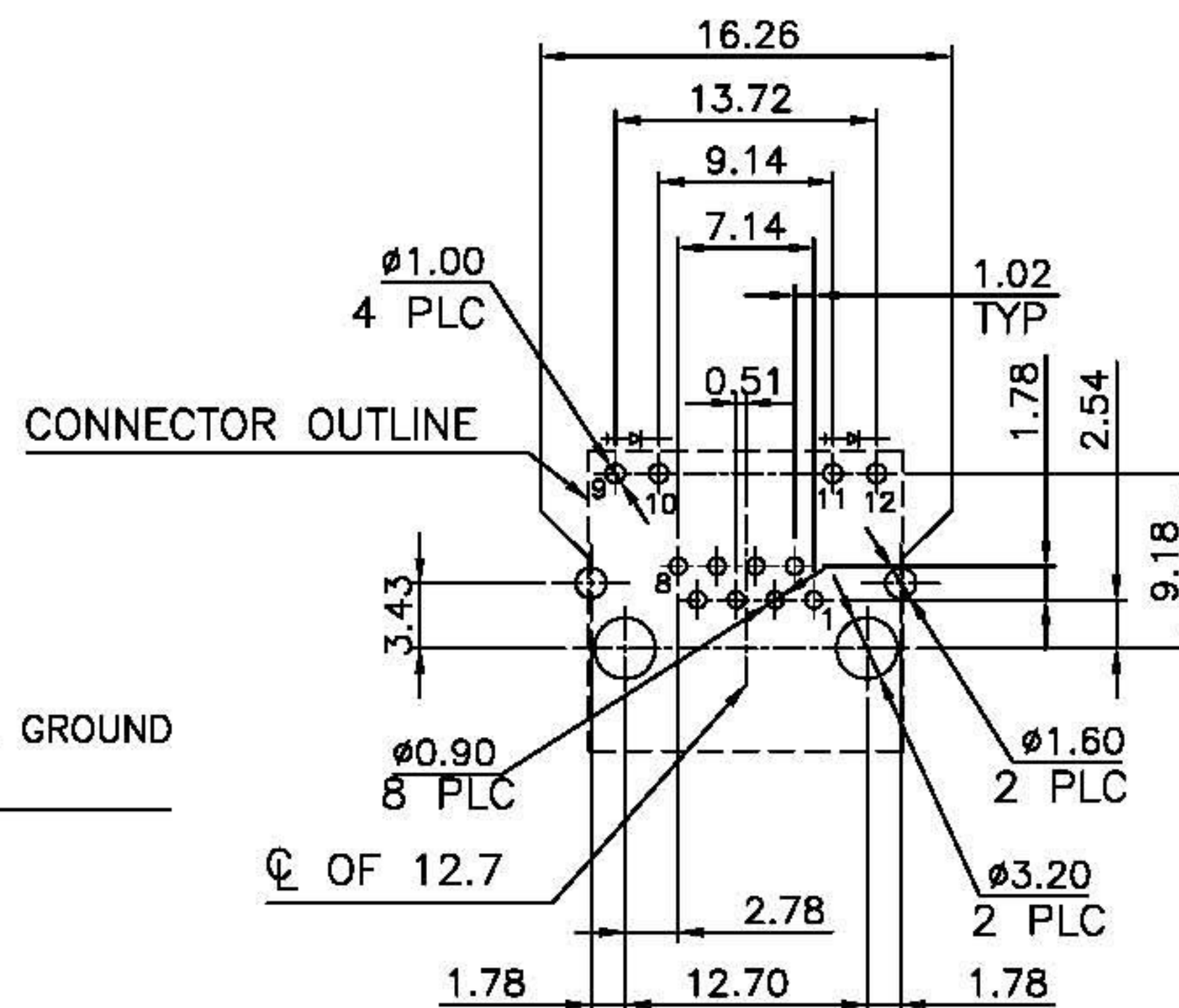
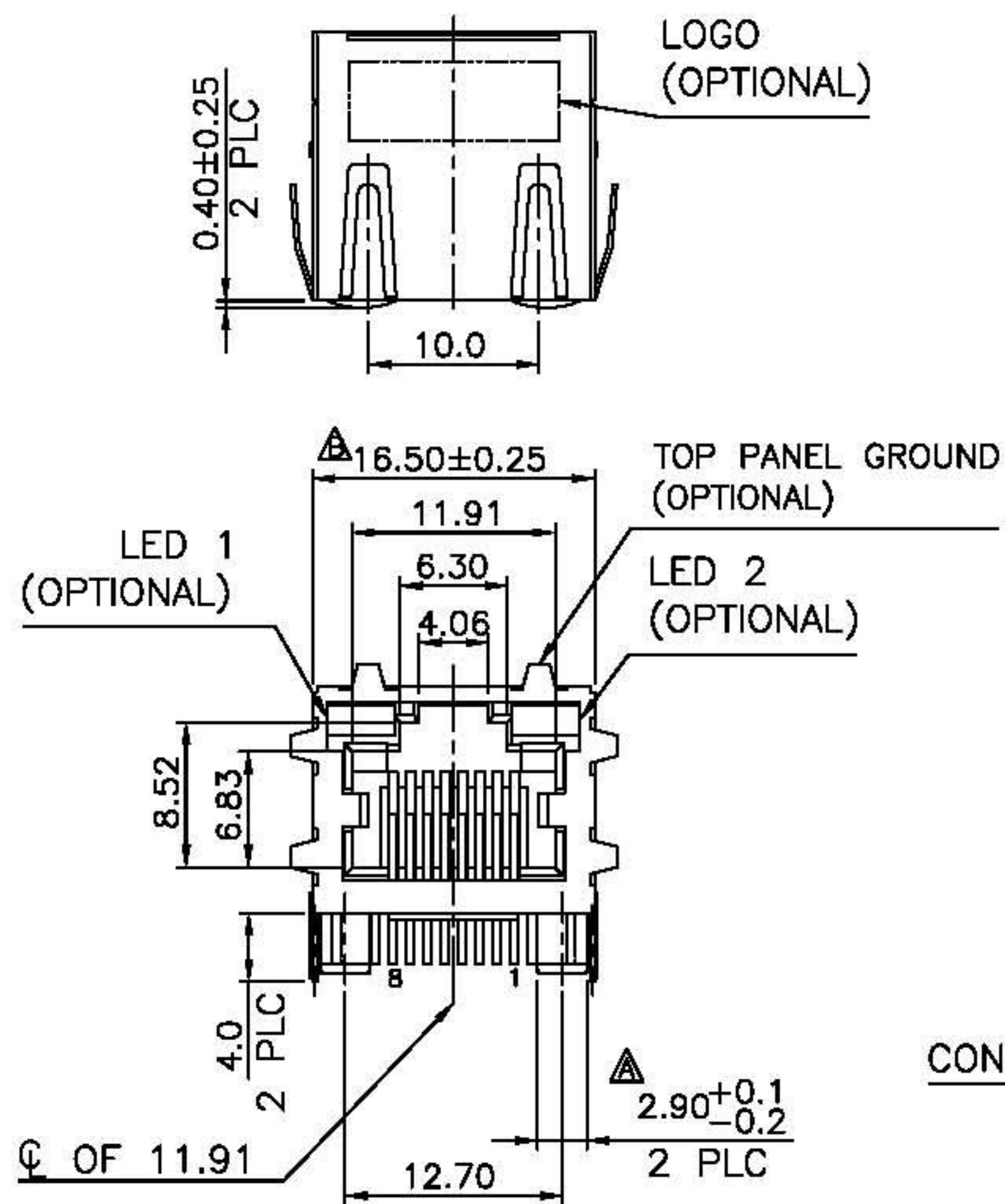
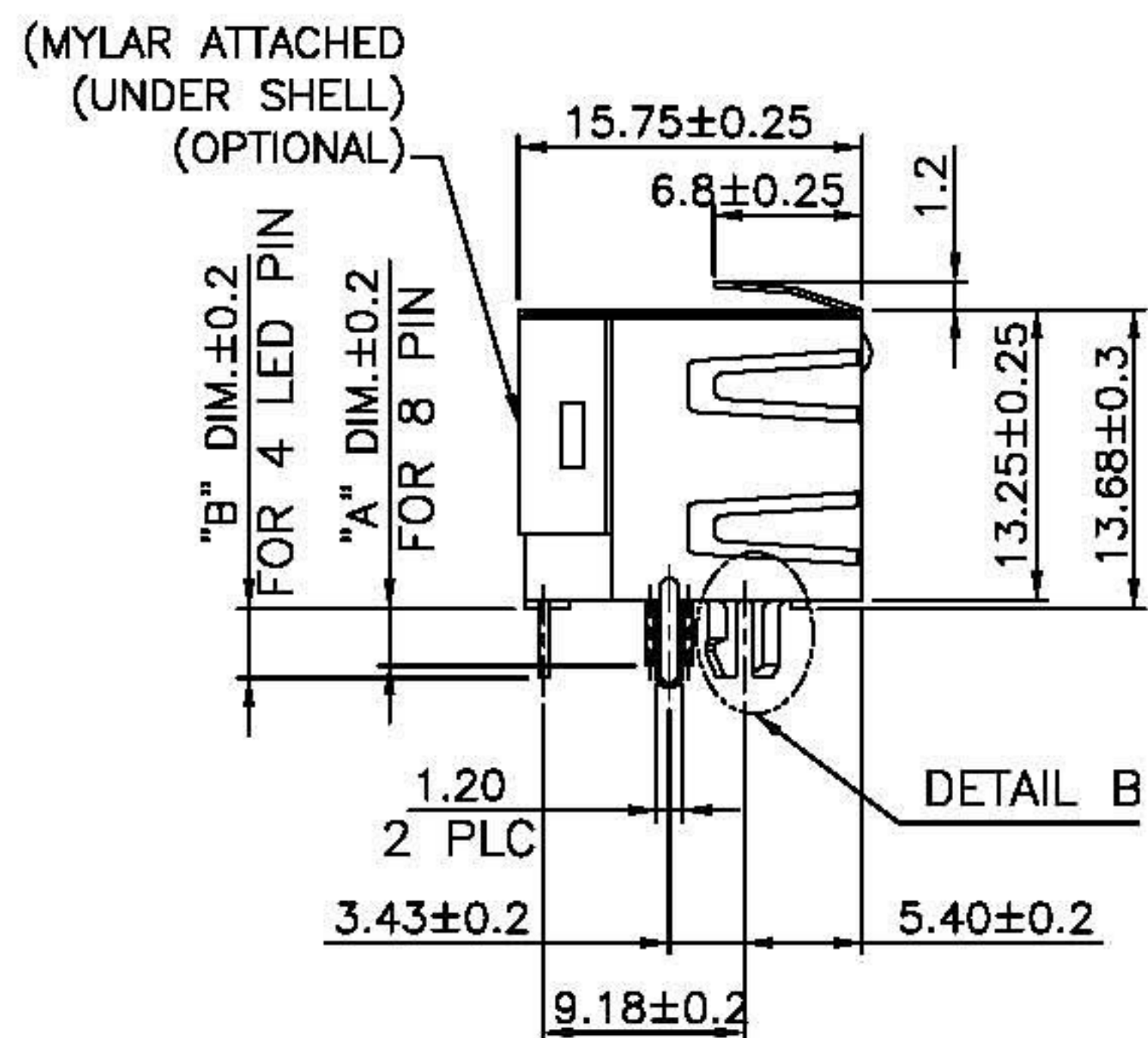


RoHS Compliance

REVISIONS			
LTR	DESCRIPTION	DATE	APP
▲	2.74±0.10	08/15/01	CHANG
▲	16.26±0.25	11/23/05	CHANG



DO NOT SCALE DRAWING	TOLERANCES UNLESS OTHERWISE NOTED	INCH	MM	DR. <i>CIAN.CI.LUO</i>	DATE JUL-23 '10
THIRD ANGLE PROJECTION	LINEAR	MM INCH	00 ± .01 000 ± .005 0000 ± .002	CK'D <i>M.CHANG</i>	JUL-23 '10
MM INCH		RADII	+ 0.40 - 0.15	APP'D <i>W.J.YANG</i>	JUL-23 '10

E-YUNG ENTERPRISE CO., LTD.

TITLE	RJ45, WITH LED'S, SHIELDED FLAT PIN, SIDE ENTRY JACK		
SCALE	SIZE	DWG.NO.	REV. SHEET
		971403	11 1