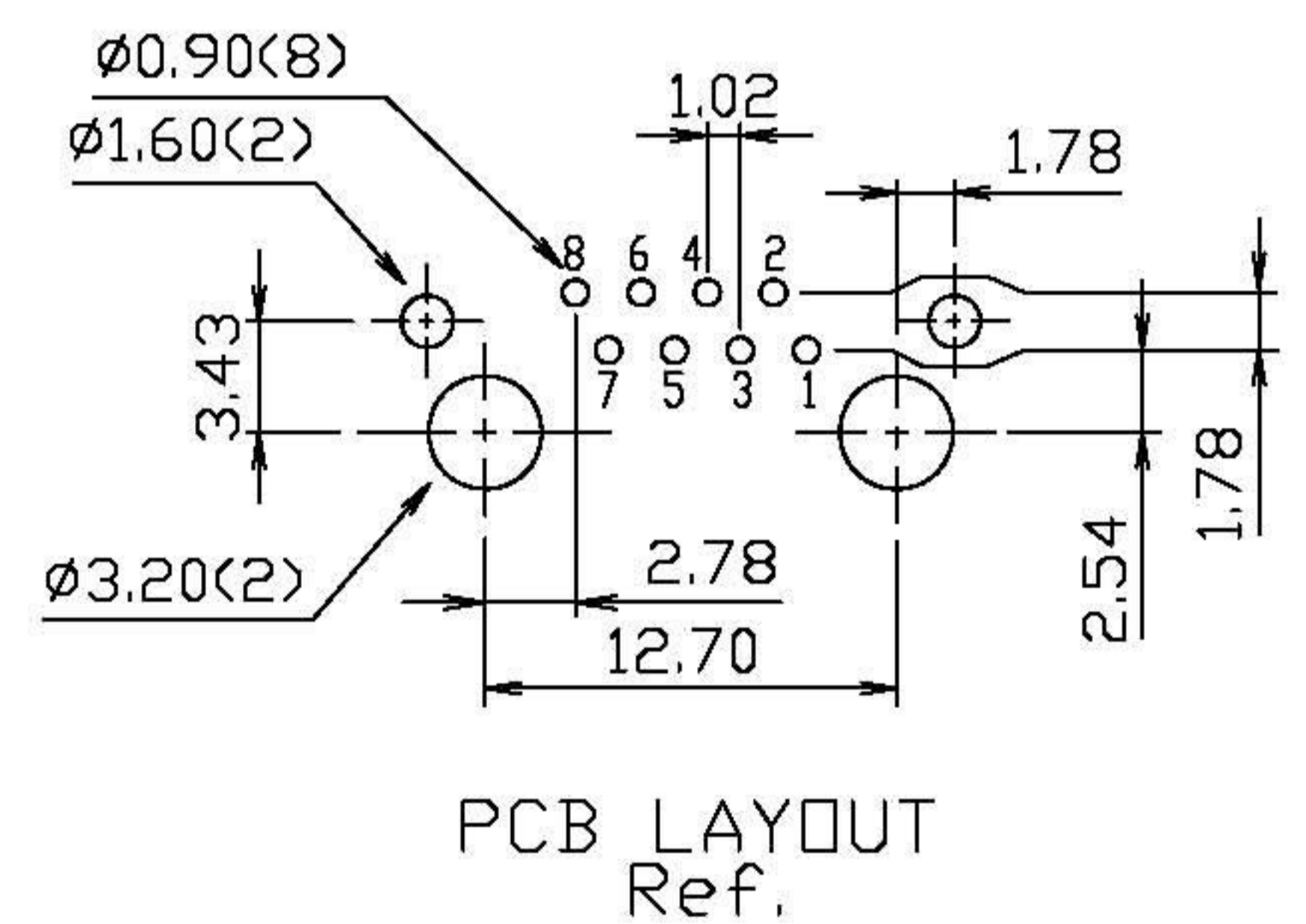
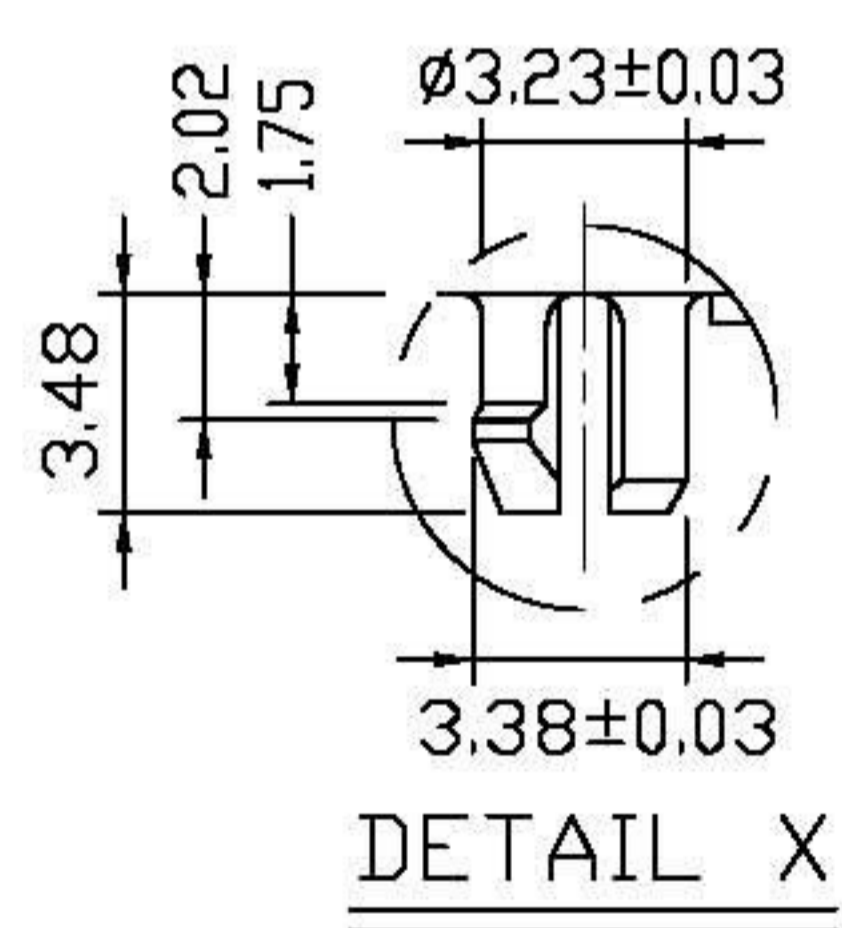
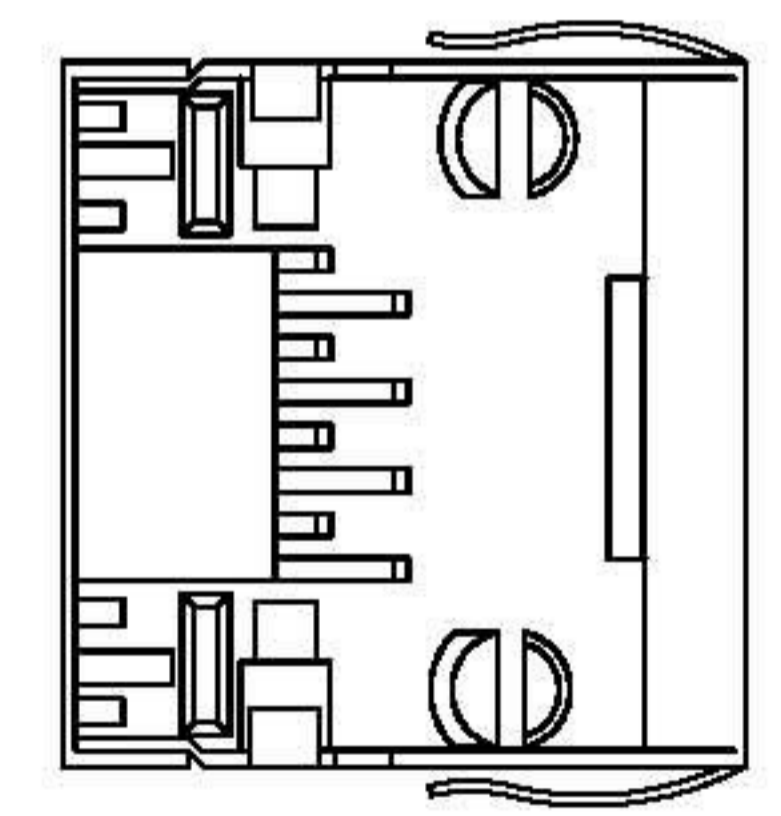
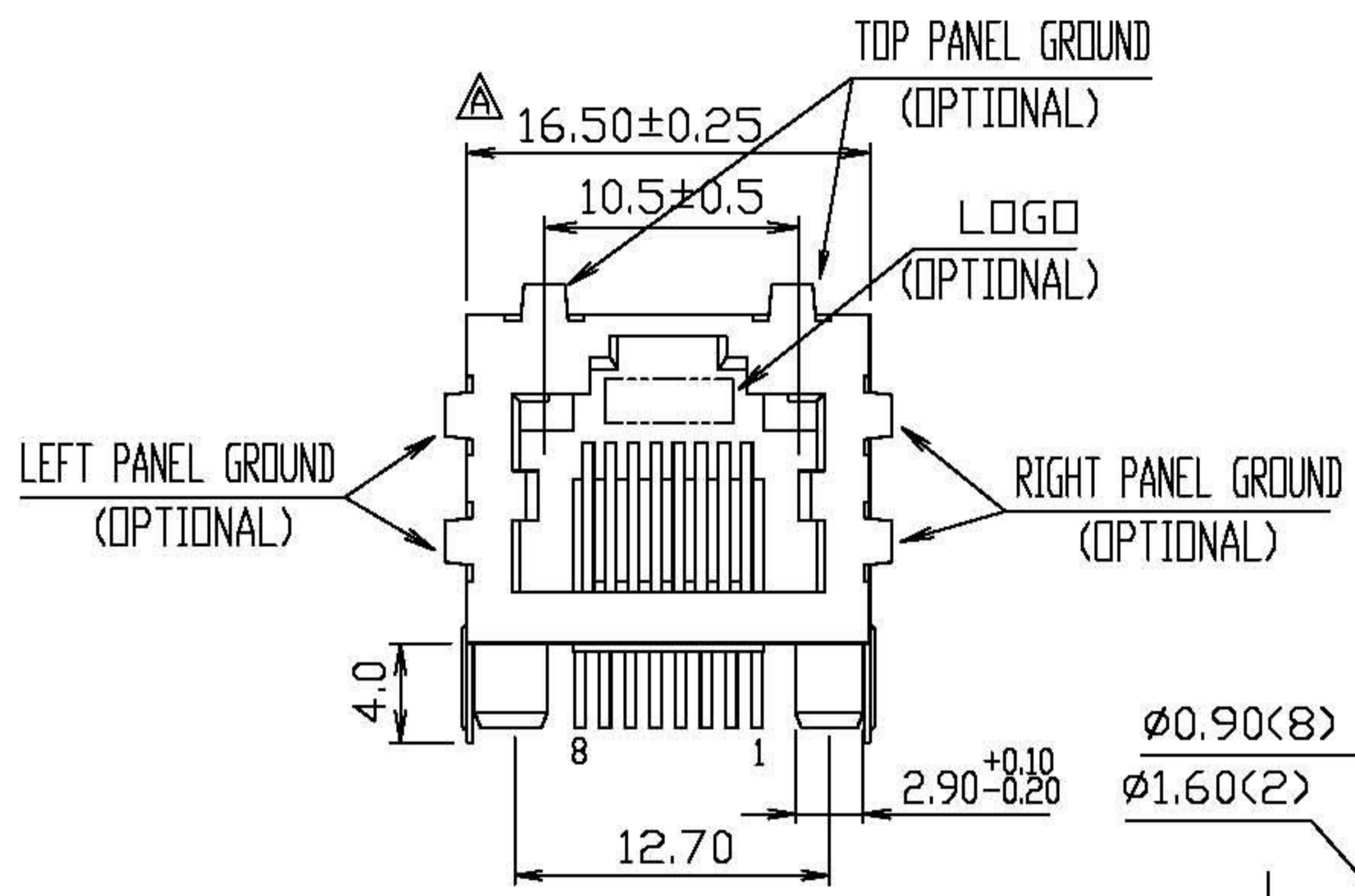


REVISIONS			
LTR	DESCRIPTION	DATE	APP
△	16.26±0.25	11/23/'05	CHANG



DO NOT SCALE DRAWING	TOLERANCES UNLESS OTHERWISE NOTED	INCH	MM	DR. <i>M.L.HUNAG</i>	DATE DEC-01 '05
THIRD ANGLE PROJECTION	LINEAR	MM INCH	0.0 ± 0.25 0.00 ± 0.13 0.000 ± 0.05	CK'D <i>M.CHANG</i>	DEC-01 '05
MM INCH	ANGLE ± 0° 30'	RADII	+ 0.40 - 0.15	APP'D <i>W.J.YANG</i>	DEC-02 '05

E-YUNG ENTERPRISE CO., LTD.				
TITLE	8POSITION, WITHOUT LED, SHIELDED FLAT PIN, SIDE ENTRY JACK			
SCALE	SIZE	DWG.NO.	REV.	SHEET
		971401	8	1