

RoHS Compliance

1

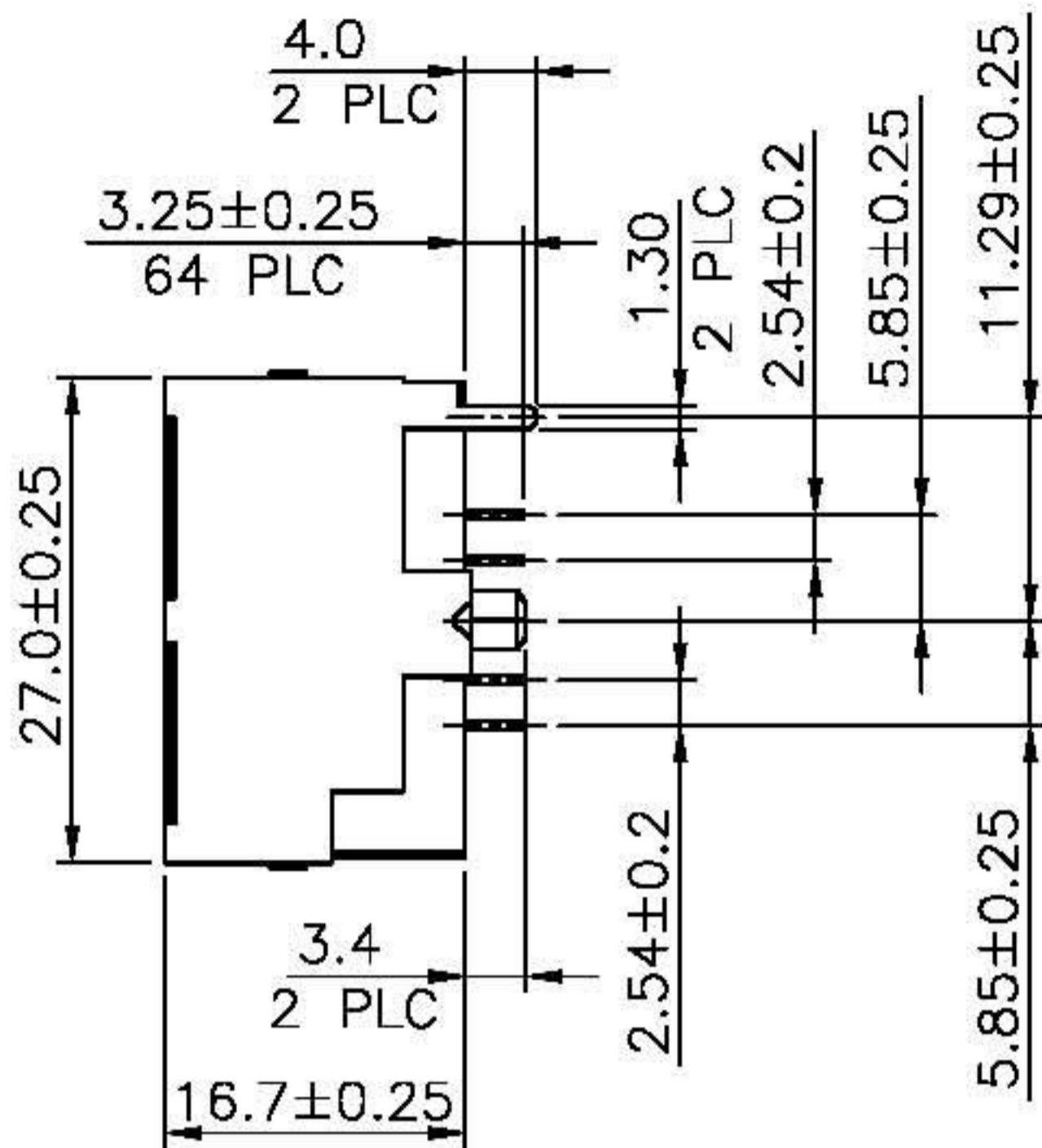
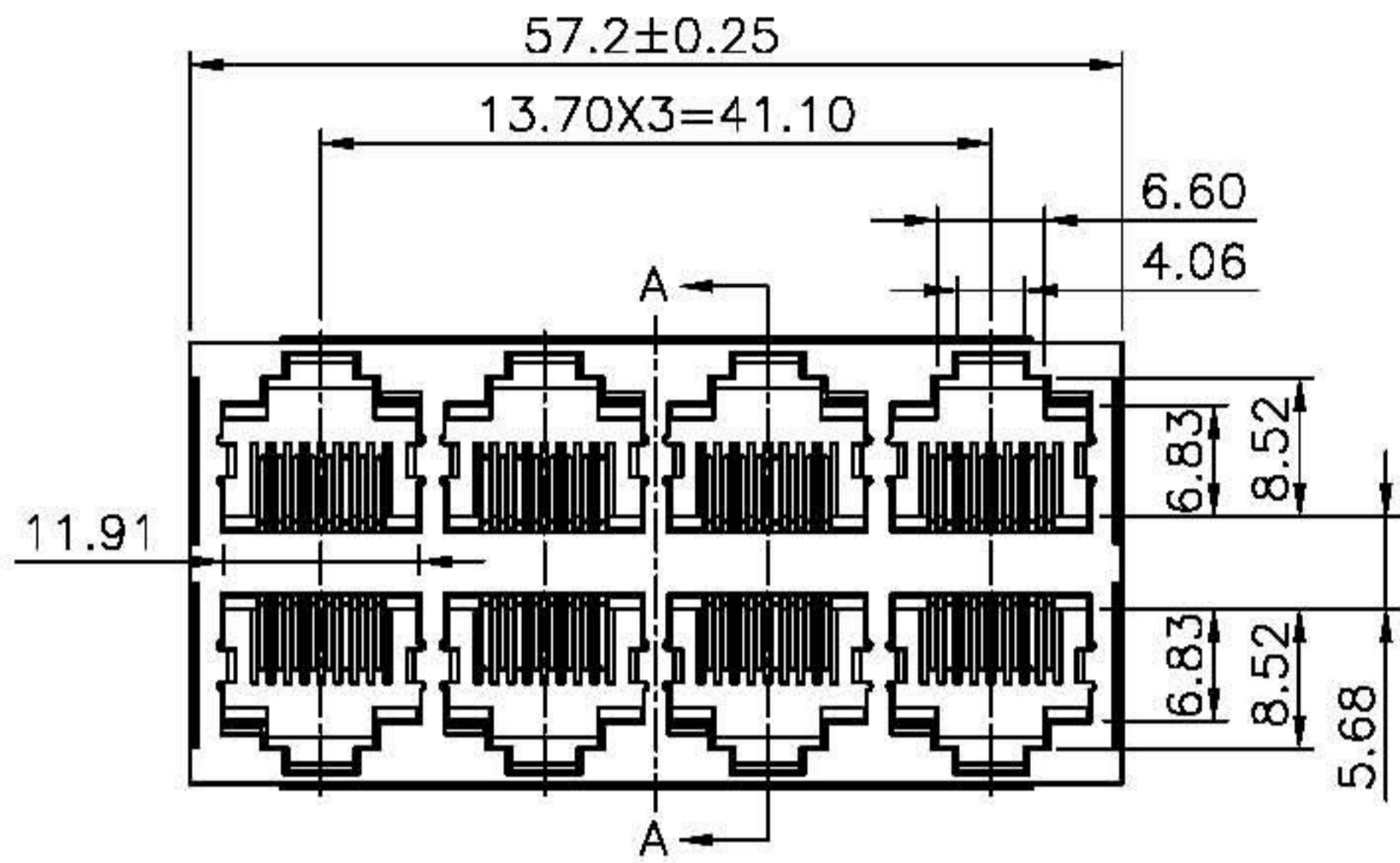
2

3

4

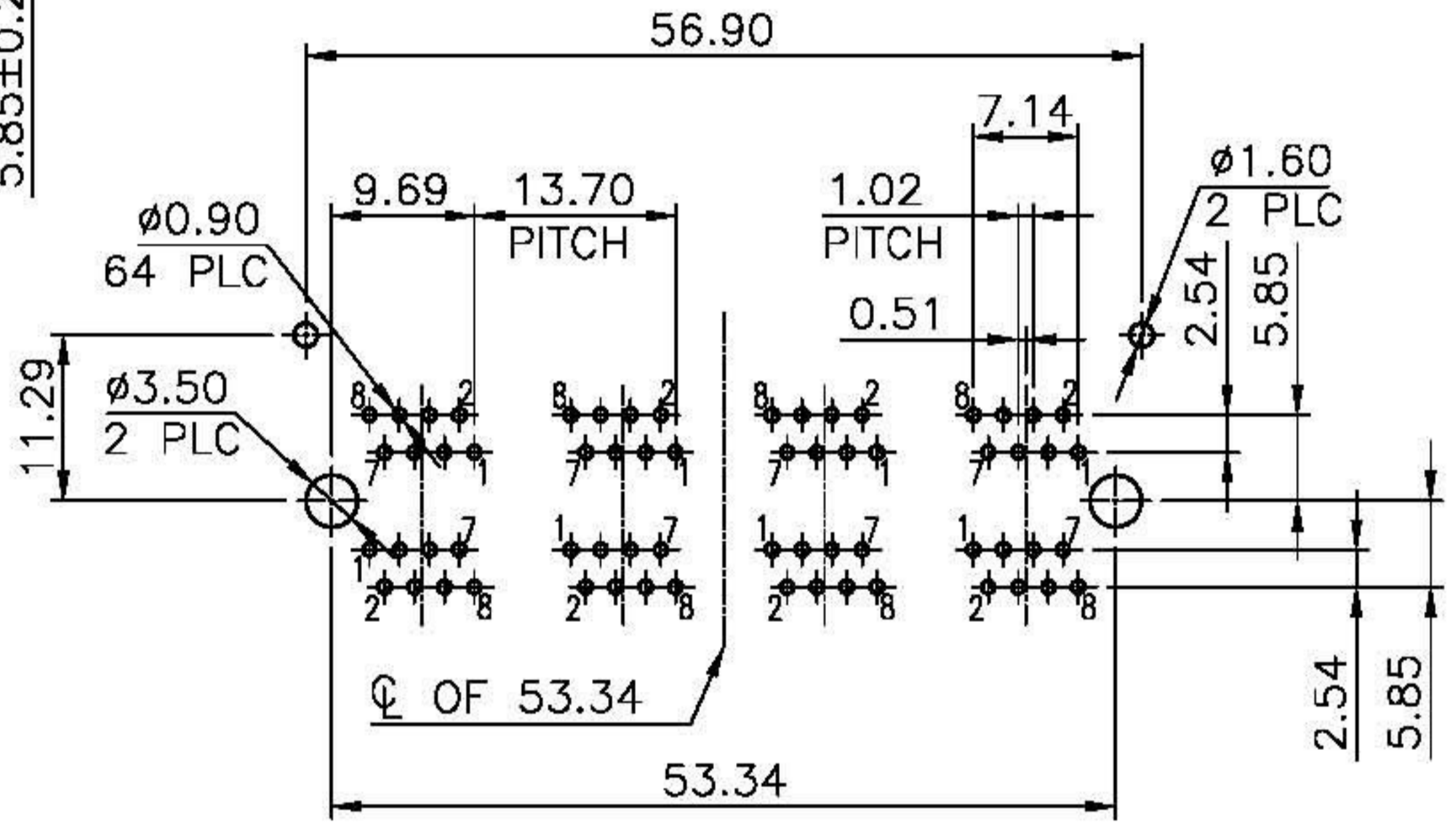
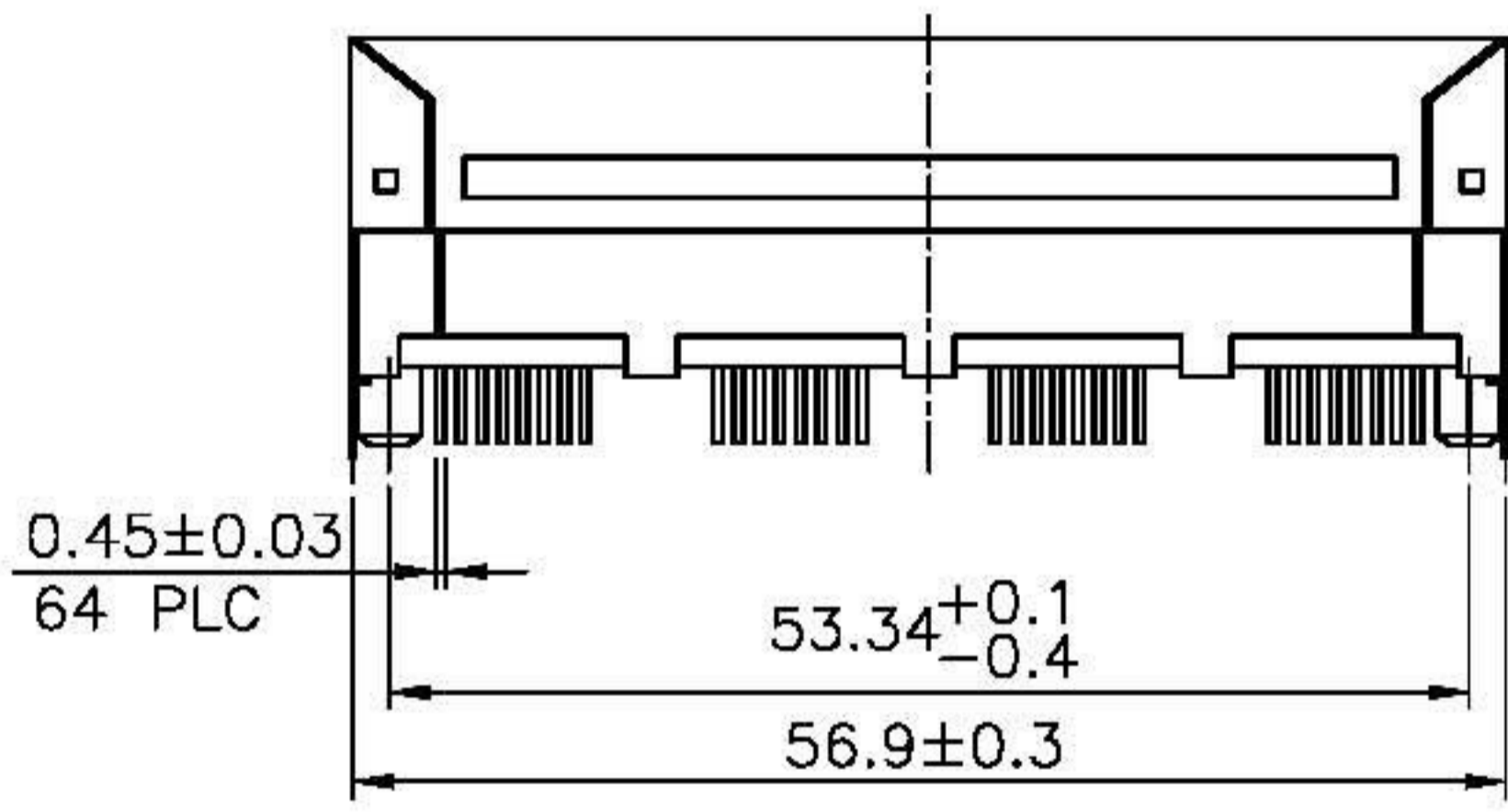
A

A



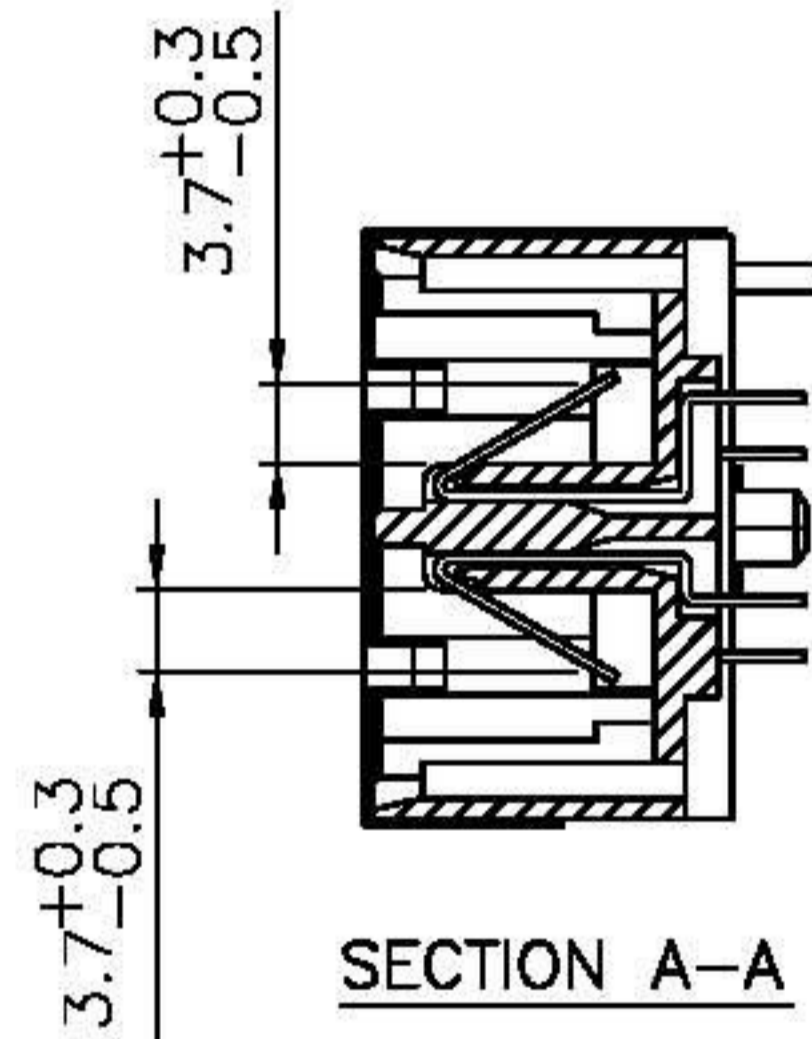
B

B



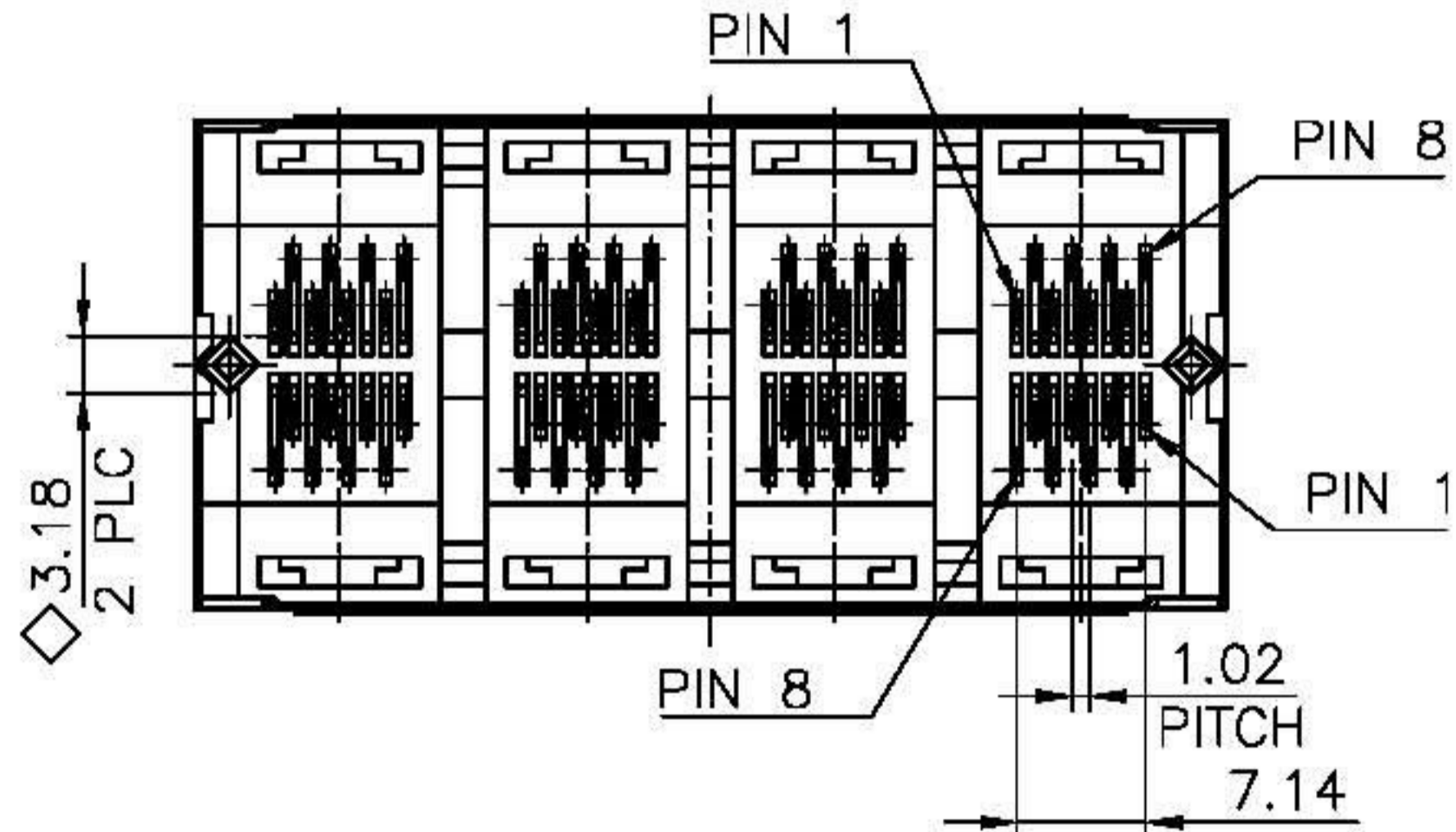
C

C



SECTION A-A

RECOMMENDED PCB LAYOUT
RECOMMENDED PCB THICKNESS: 1.6mm
TOLERANCE: ±0.05 (TOP VIEW)



D

D

THIS DRAWING IS A CONTROLLED DOCUMENT. DO NOT SCALE DRAWING.	
DIMENSIONS: MM	TOLERANCES UNLESS OTHERWISE SPECIFIED:
 THIRD ANGLE PROJECTION	0 PLC ± -
	1 PLC ± 0.25
MATERIAL SEE NOTES	2 PLC ± 0.13
	3 PLC ± 0.05
DWN A.HUANG	FINISH SEE NOTES
DATE SEP-08-2010	DATE SEP-08-2010
CHK M.CHANG	DATE SEP-08-2010
APVD W.J.YANG	DATE SEP-09-2010

E-YUNG ENTERPRISE CO., LTD.		
TITLE RJ45, WITH SHELL, TOP ENTRY PCB JACK		
SIZE A4	CAUGE CODE -	DRAWING NO 970802
WEIGHT -	GRAMS Ref.	REV 6 SHEET 1

LTR	DESCRIPTION	DATE	APVD
REVISIONS			