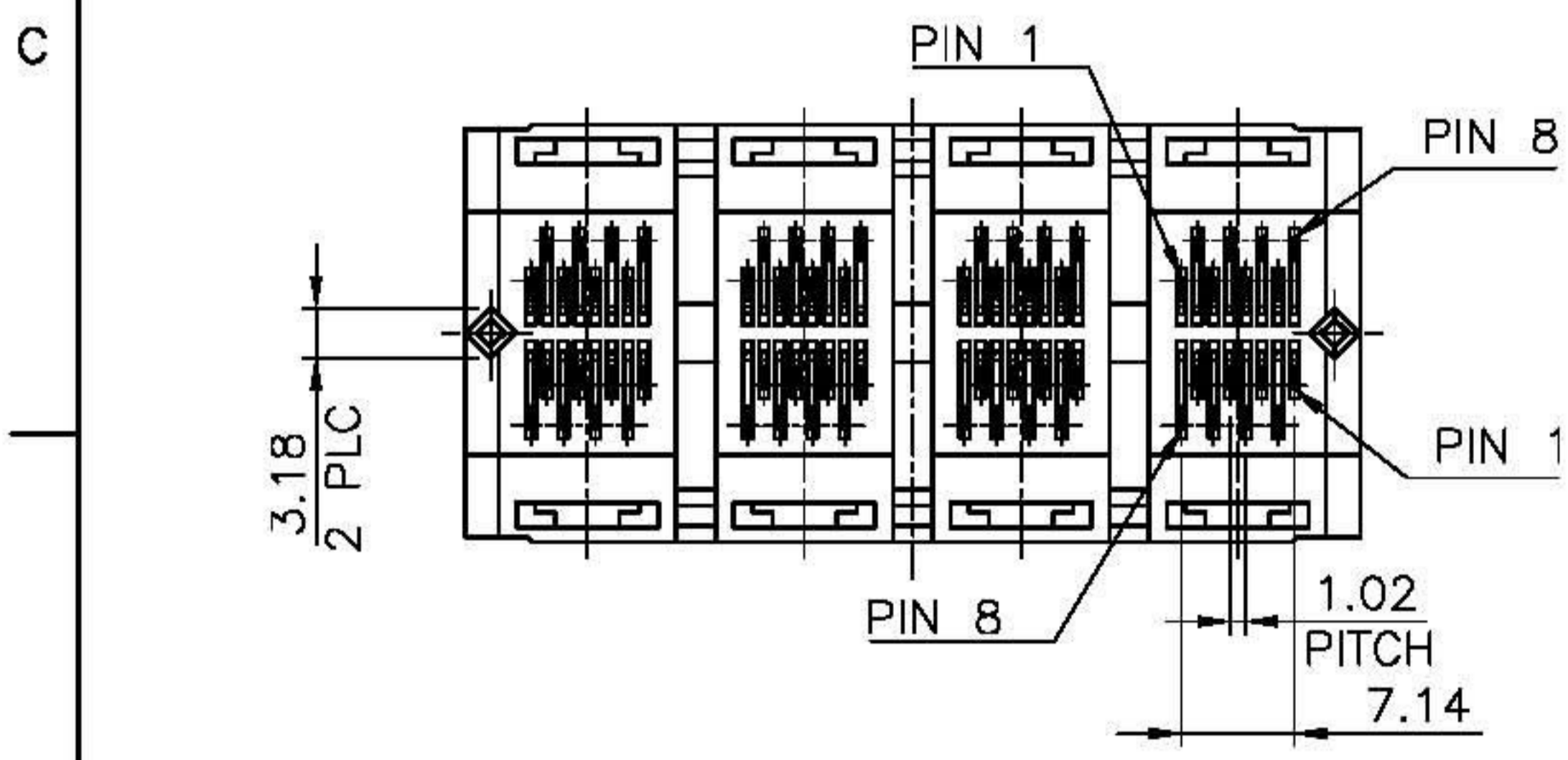
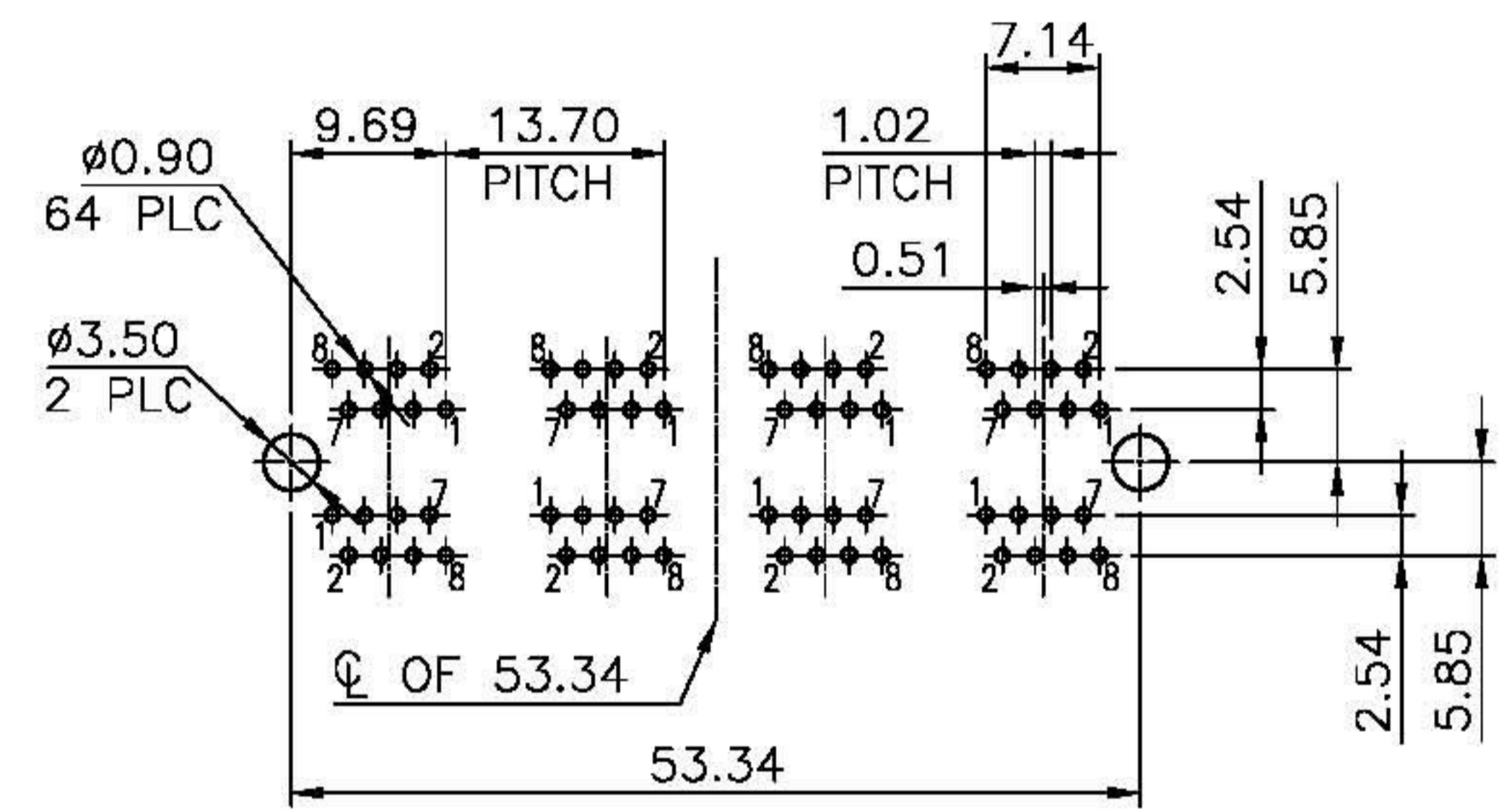
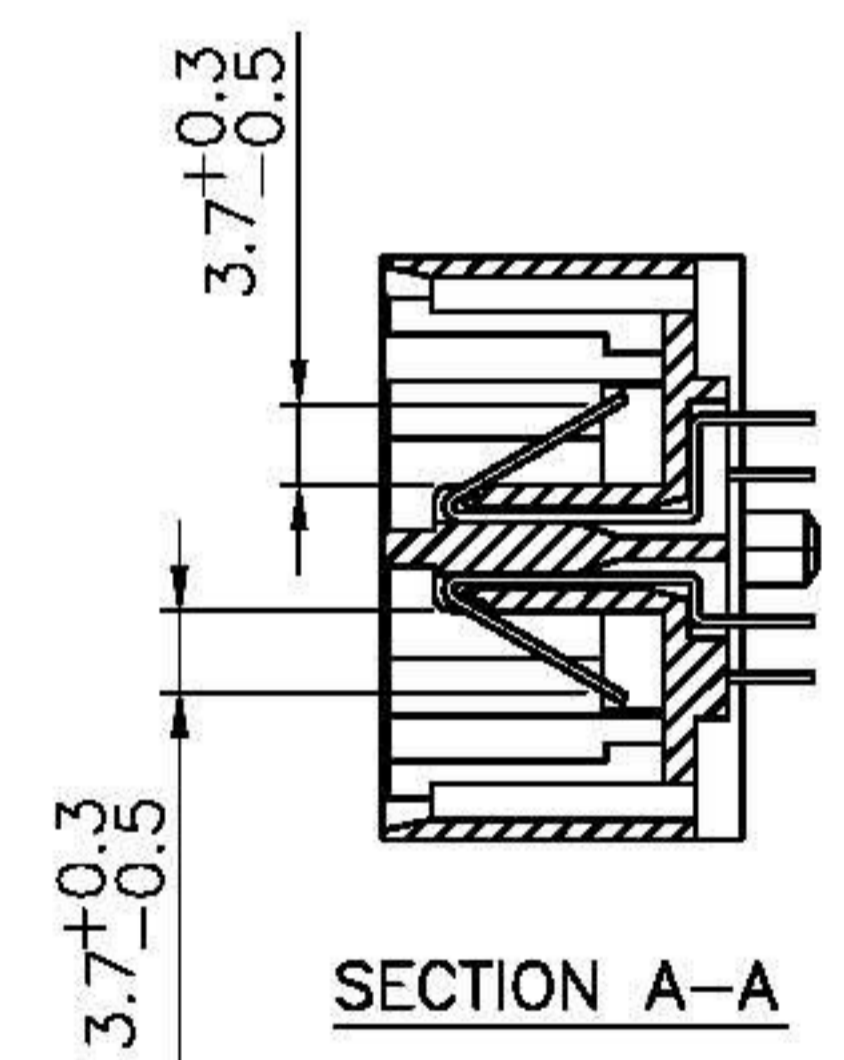
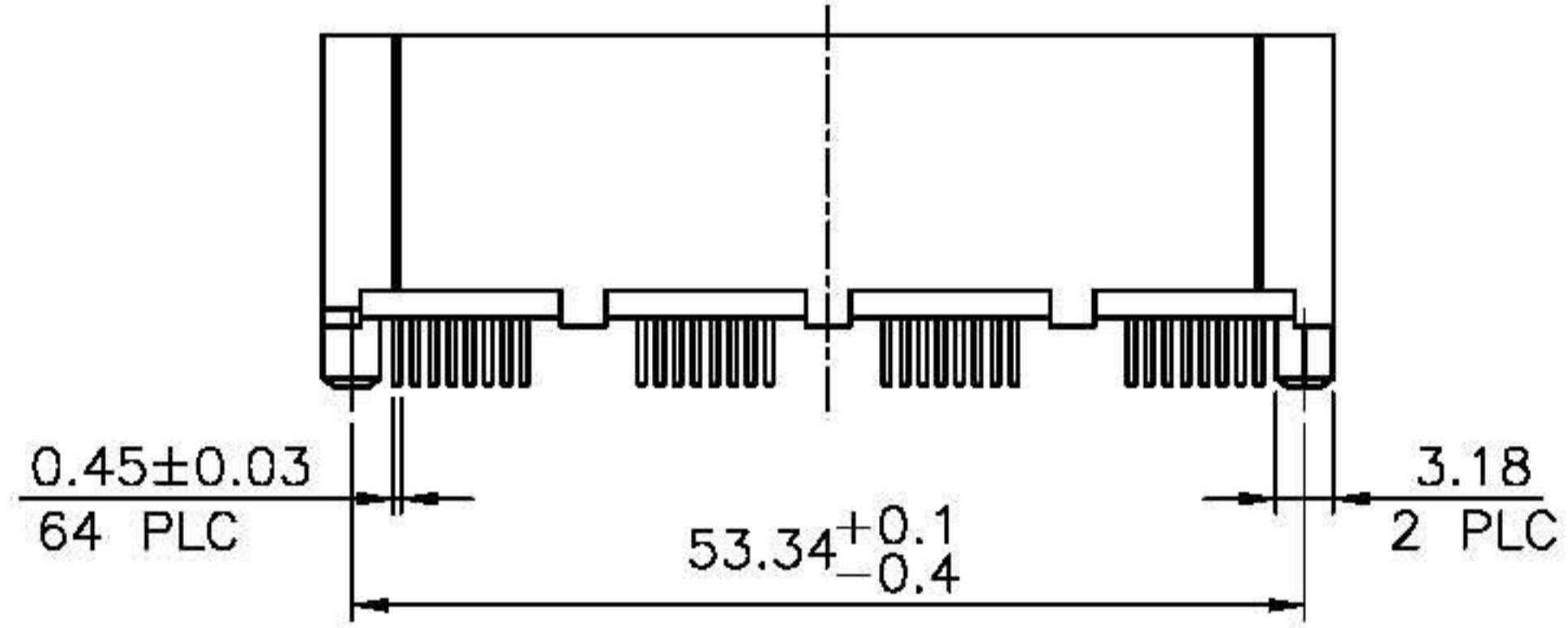
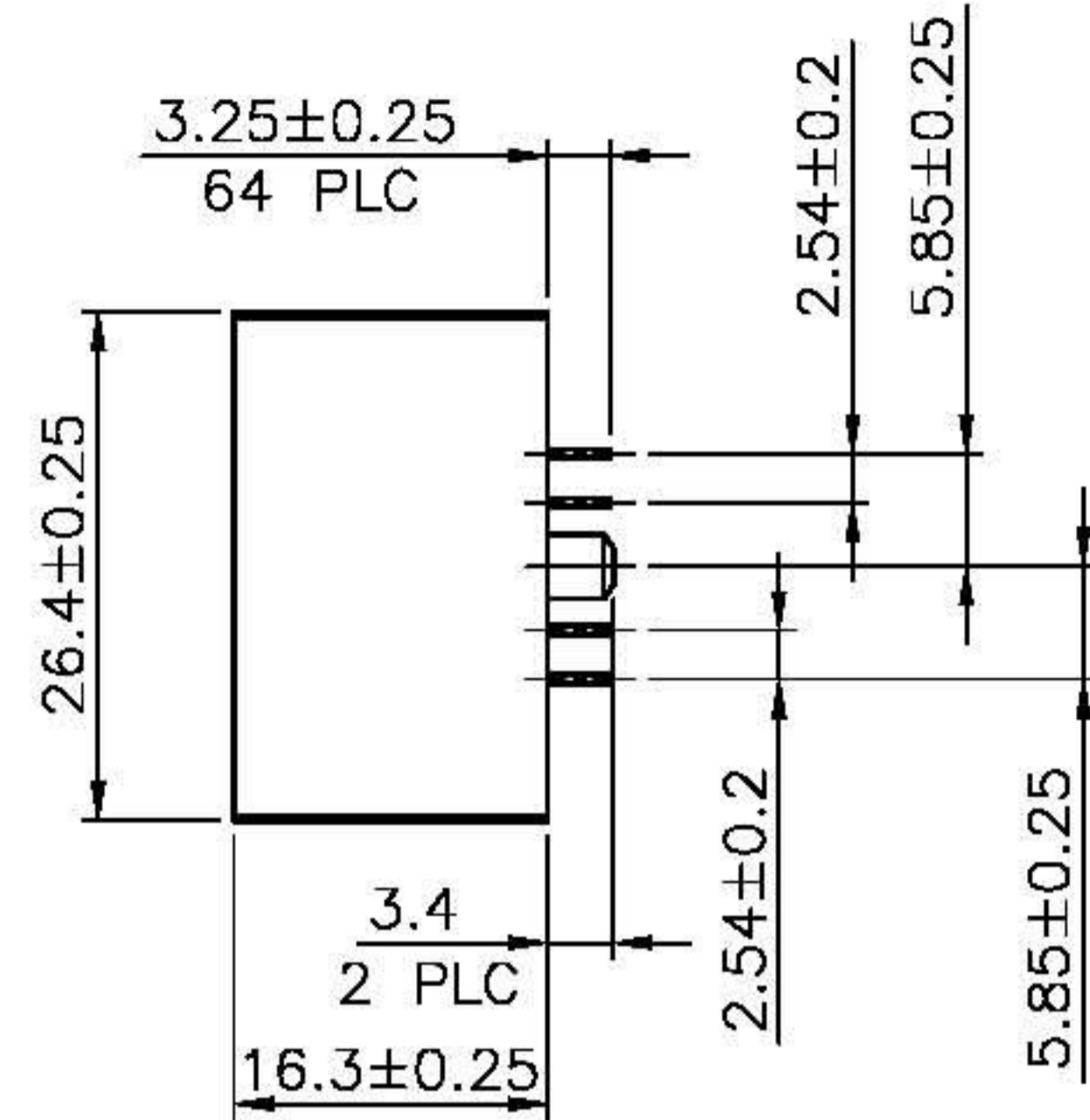
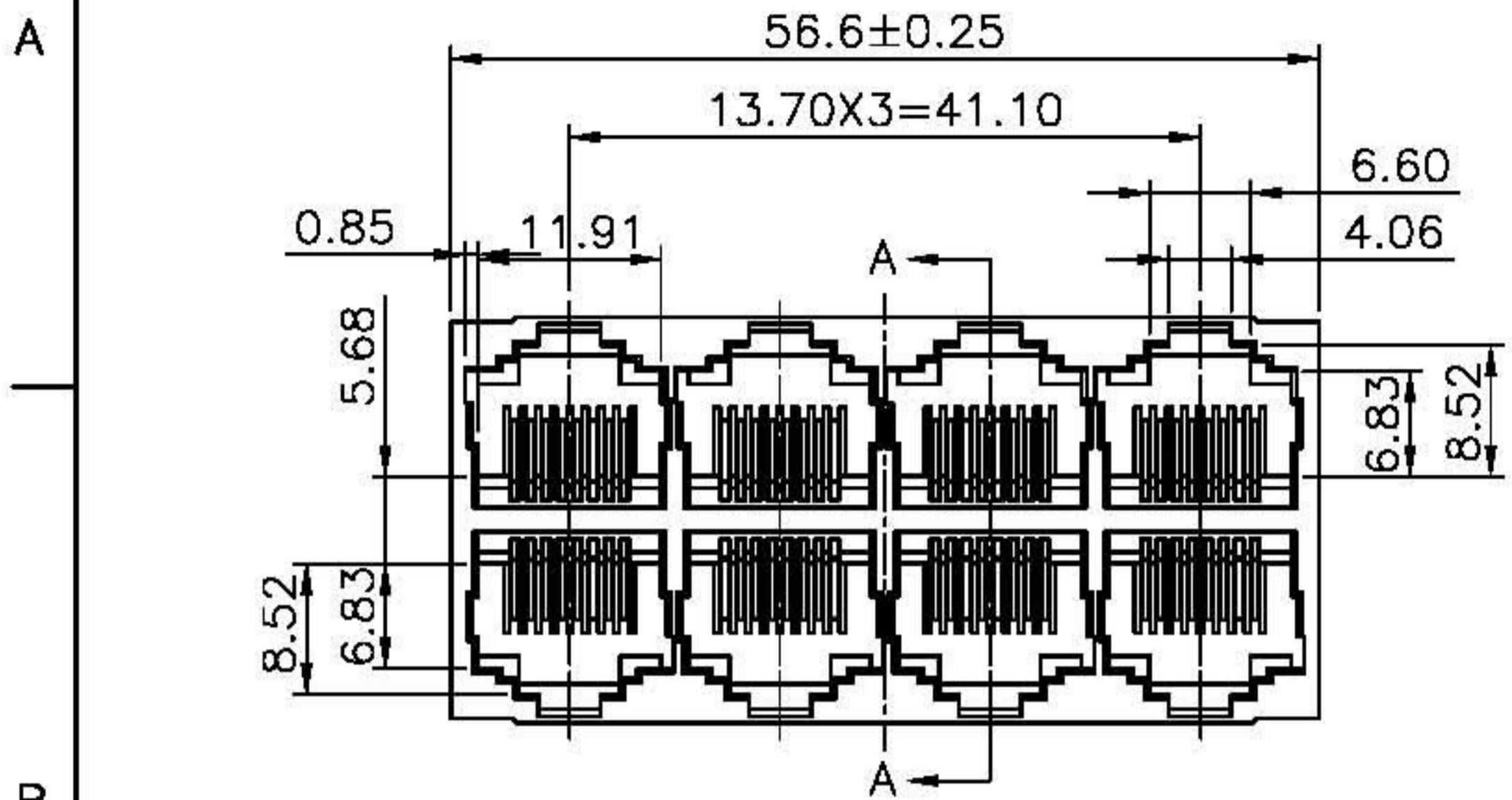


RoHS Compliance



RECOMMENDED PCB LAYOUT
 RECOMMENDED PCB THICKNESS: 1.6mm
 TOLERANCE: ±0.05 (TOP VIEW)

THIS DRAWING IS A CONTROLLED DOCUMENT.
DO NOT SCALE DRAWING.

DIMENSIONS: MM	TOLERANCES UNLESS OTHERWISE SPECIFIED:
	0 PLC ± - 1 PLC ± 0.25 2 PLC ± 0.13 3 PLC ± 0.05 ANGLES ± -
THIRD ANGLE PROJECTION	
MATERIAL SEE NOTES	FINISH SEE NOTES
DWN A.HUANG	DATE SEP-08-2010
CHK M.CHANG	SEP-08-2010
APVD W.J.YANG	SEP-09-2010

E-YUNG ENTERPRISE CO., LTD.		
TITLE RJ45, WITHOUT SHELL, TOP ENTRY PCB JACK		
SIZE A4	CAUGE CODE -	DRAWING NO 970801
WEIGHT -	GRAMS Ref.	REV 5 SHEET 1

LTR	DESCRIPTION	DATE	APVD
REVISIONS			