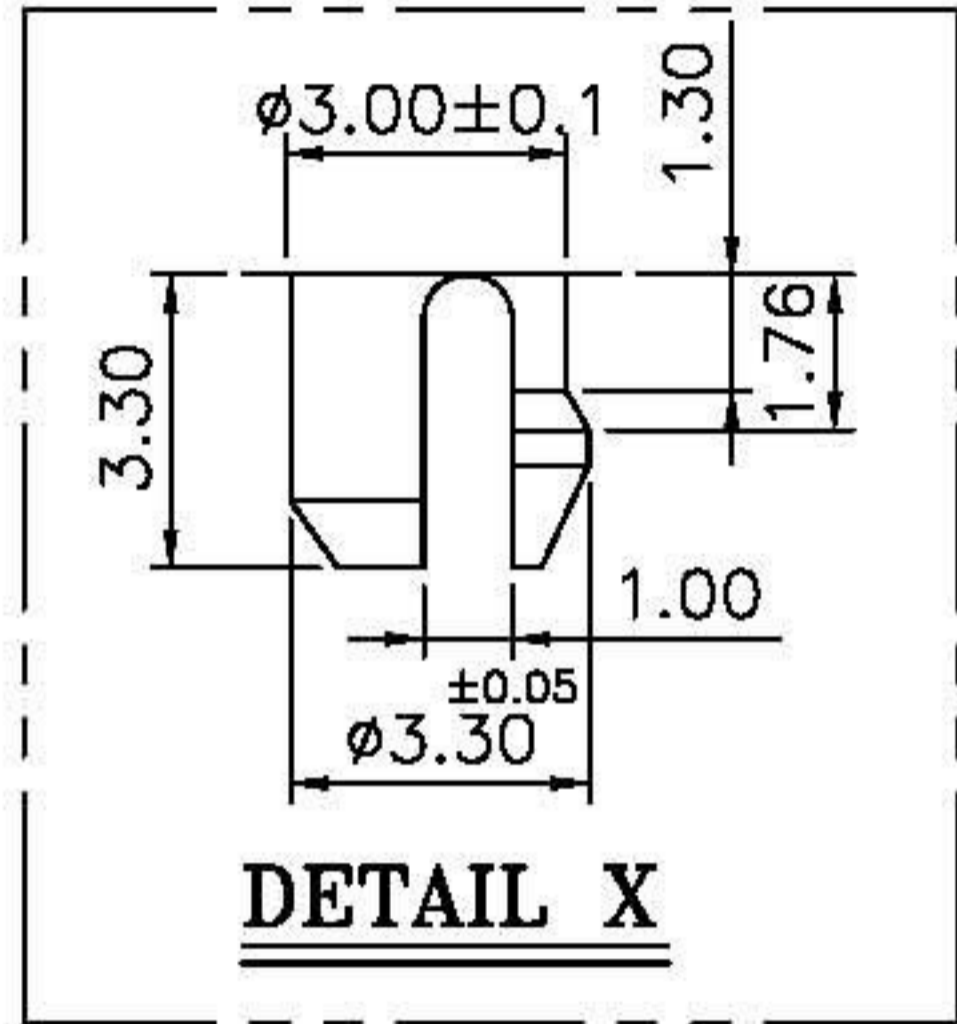
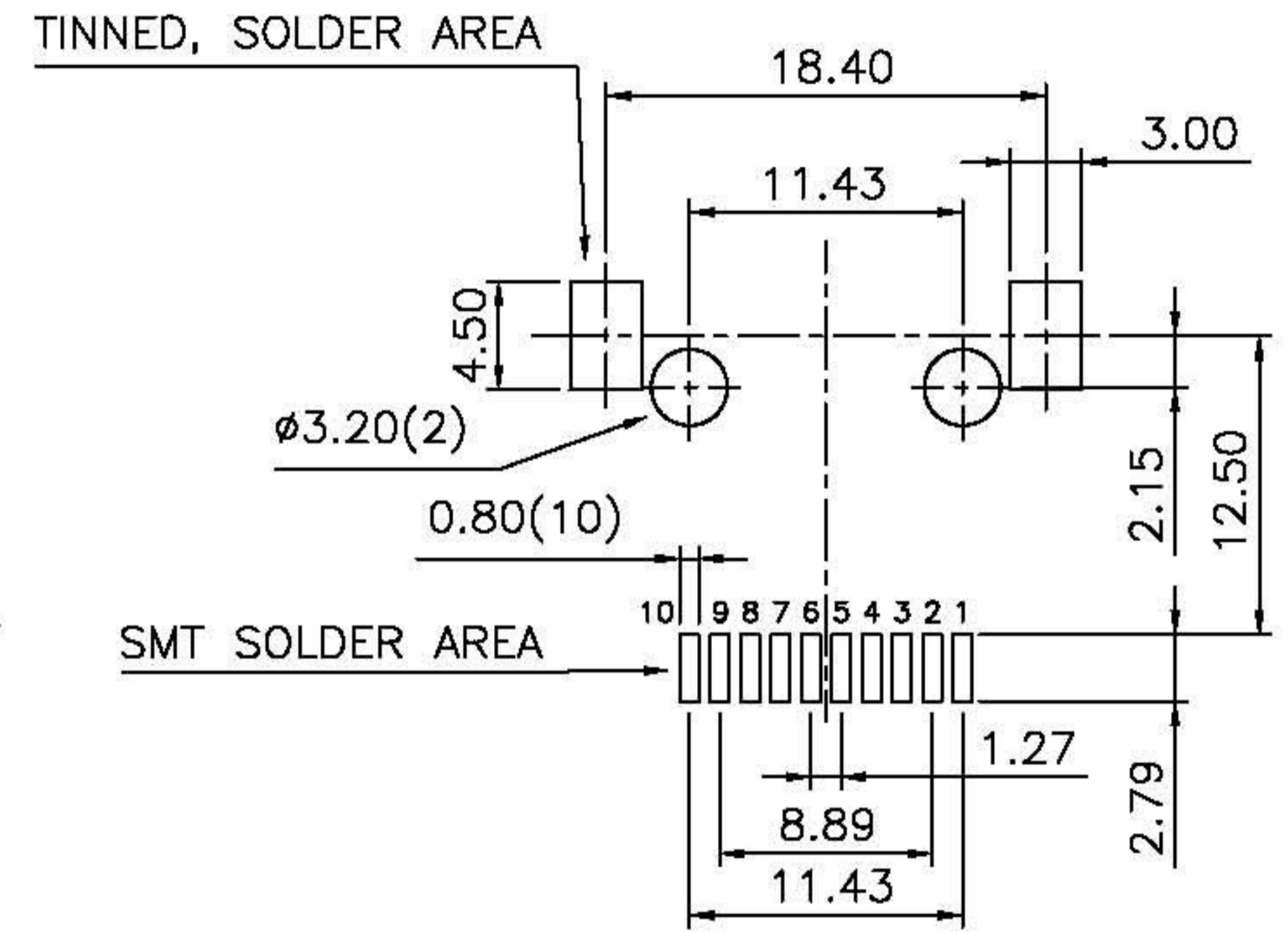
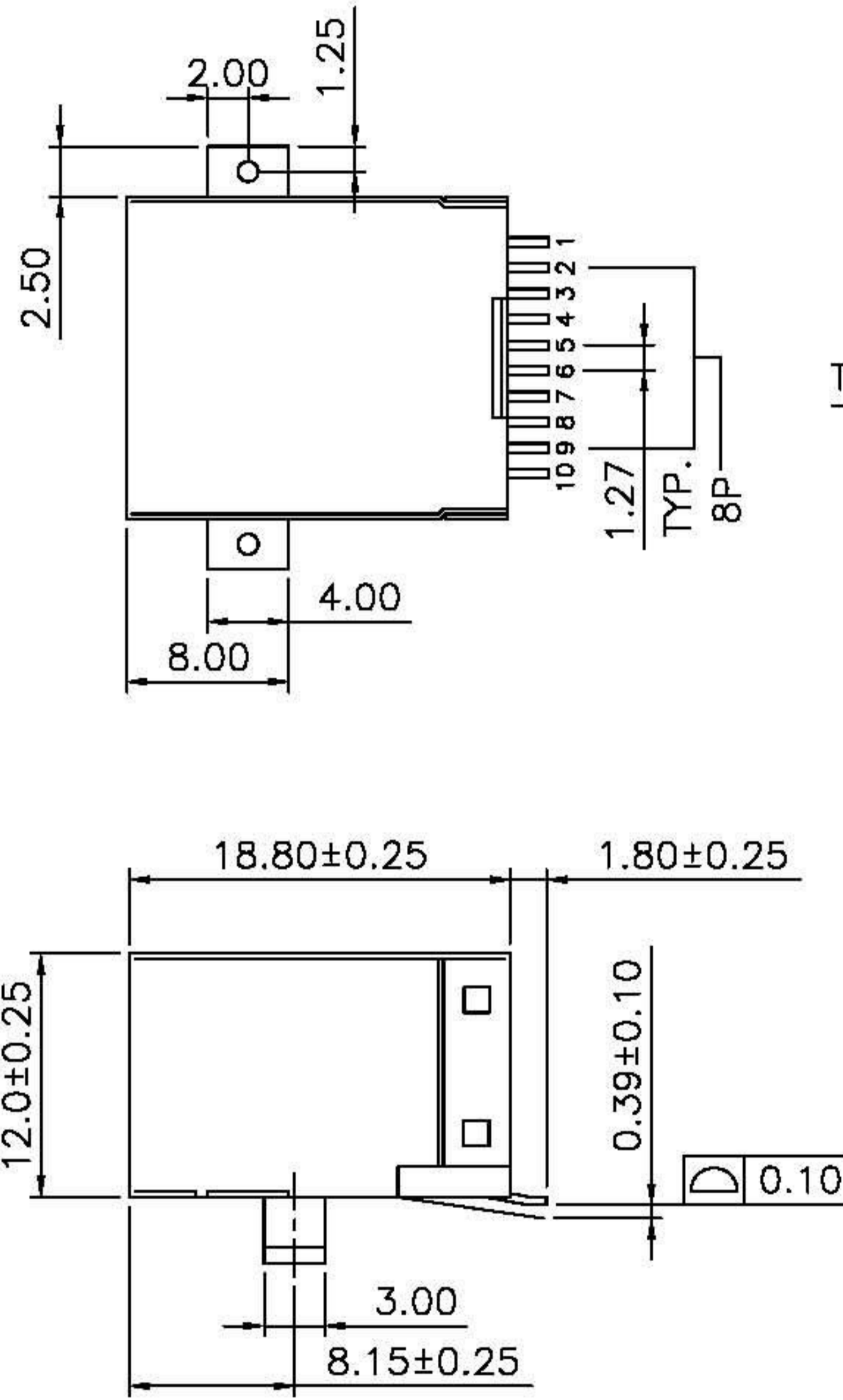
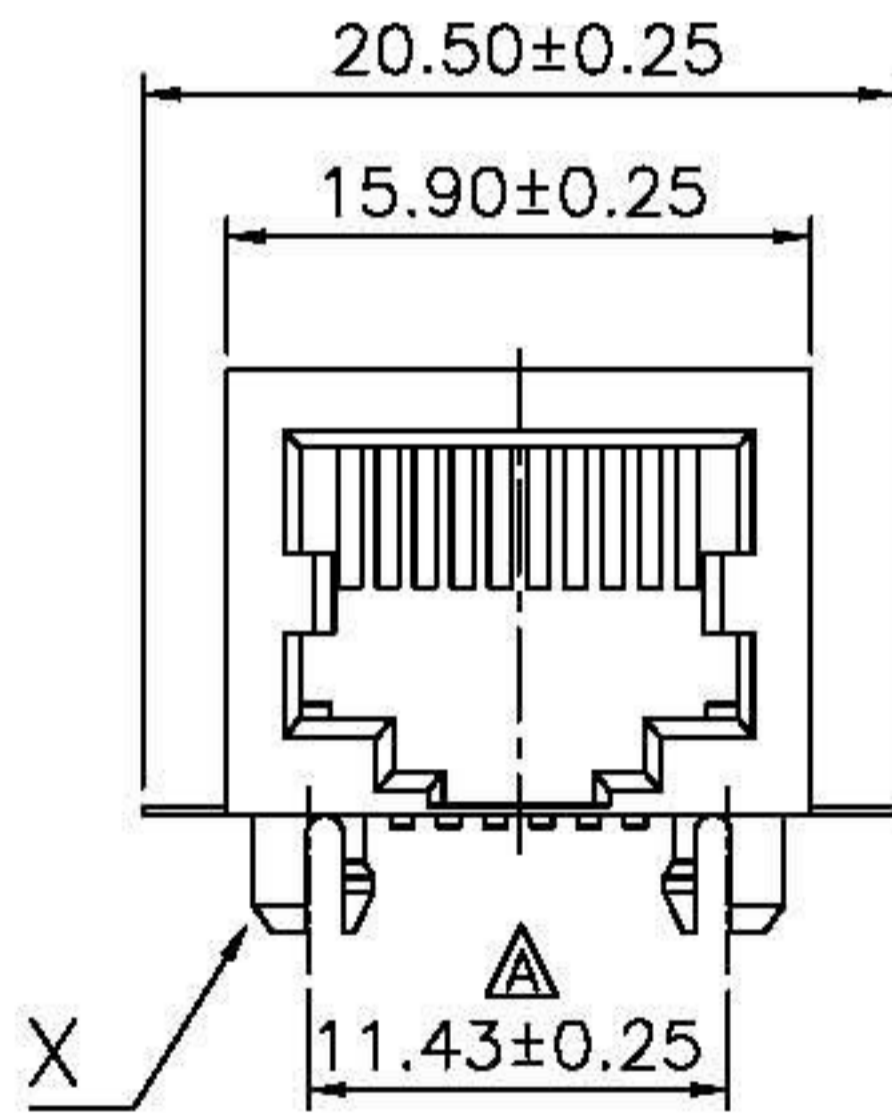


RoHS Compliance



REVISIONS			
LTR	DESCRIPTION	DATE	APP
△	CAR 11.43	01/22/'09	CHANG



PC Board Layout Ref.

DO NOT SCALE DRAWING	TOLERANCES UNLESS OTHERWISE NOTED	INCH	MM	DR. <i>CIAN.CI.LUO</i>	DATE FEB-24 '09
THIRD ANGLE PROJECTION	LINEAR	$00 \pm .01$ $000 \pm .005$ $0000 \pm .002$	0.0 ± 0.25 0.00 ± 0.13 0.000 ± 0.05	CK'D <i>M.CHANG</i>	FEB-24 '09
MM INCH	ANGLE $\pm 0^\circ 30'$	RADII	± 0.40 $- 0.15$	APP'D <i>W.J.YANG</i>	FEB-24 '09

E-YUNG ENTERPRISE CO., LTD.

TITLE: 10 & 8POSITION SIDE ENTRY, SMT TYPE
VERY LOW PROFILE, SHIELDLESS PCB JACK

SCALE	SIZE	DWG.NO.	REV.	SHEET
		970201	7	1