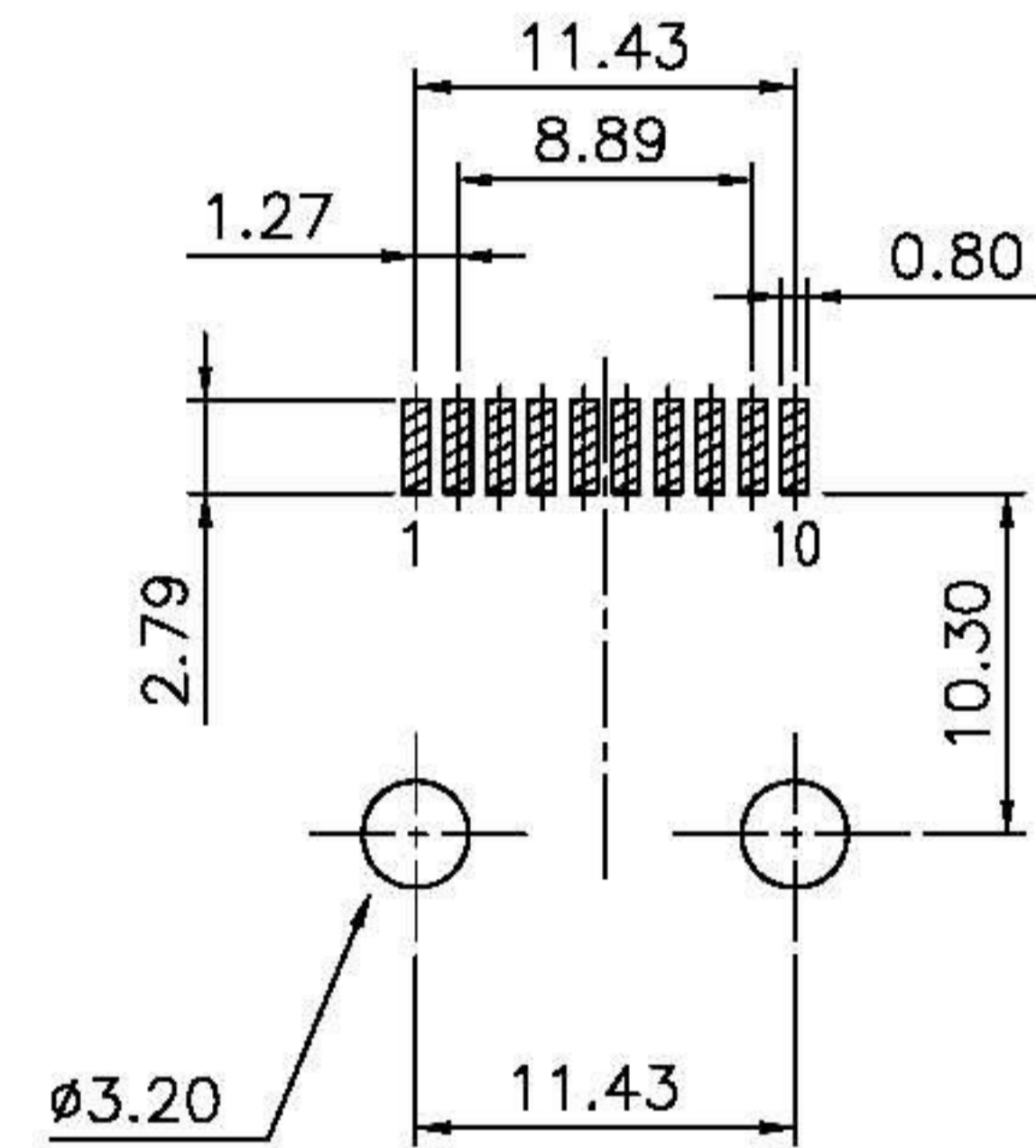
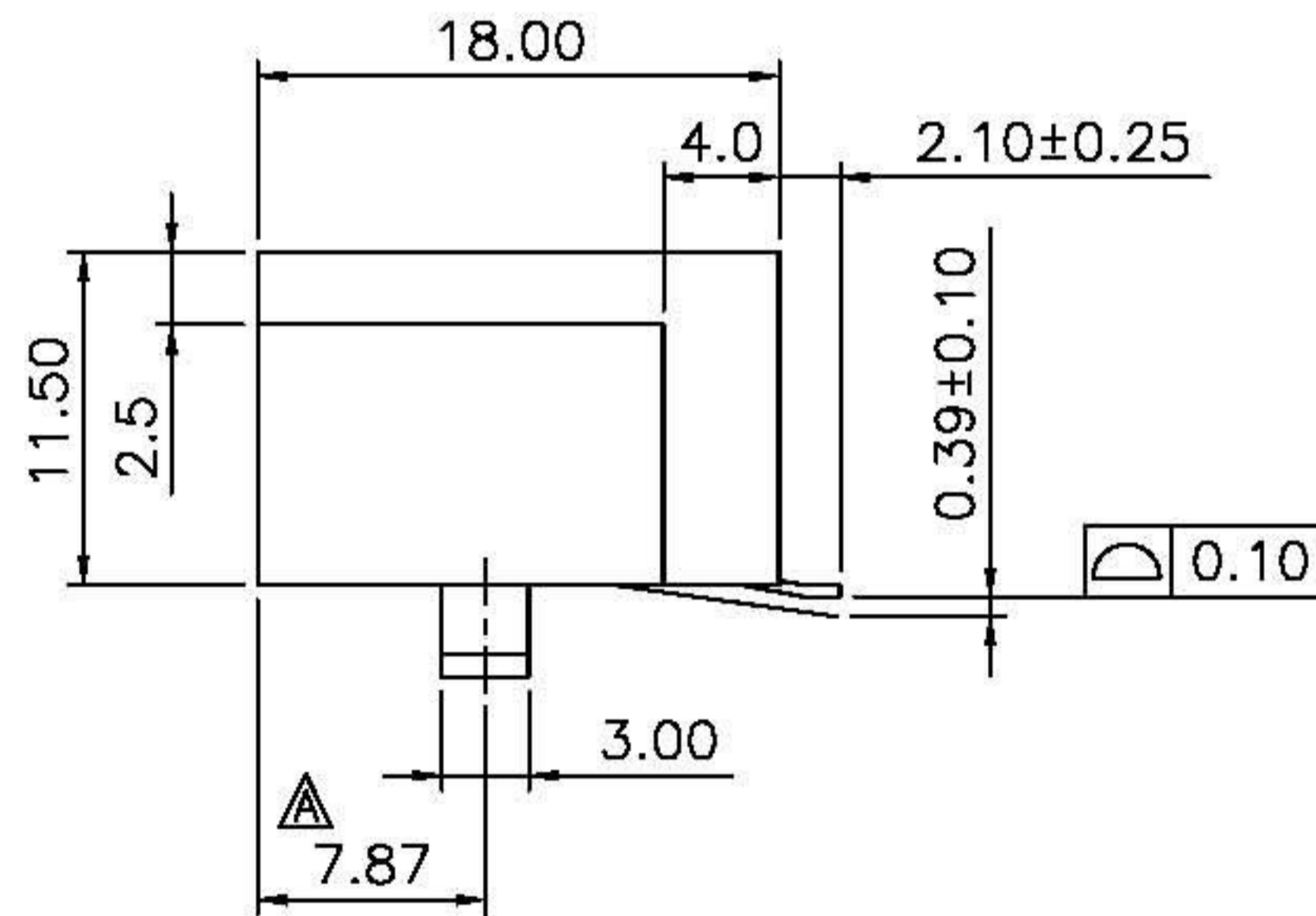
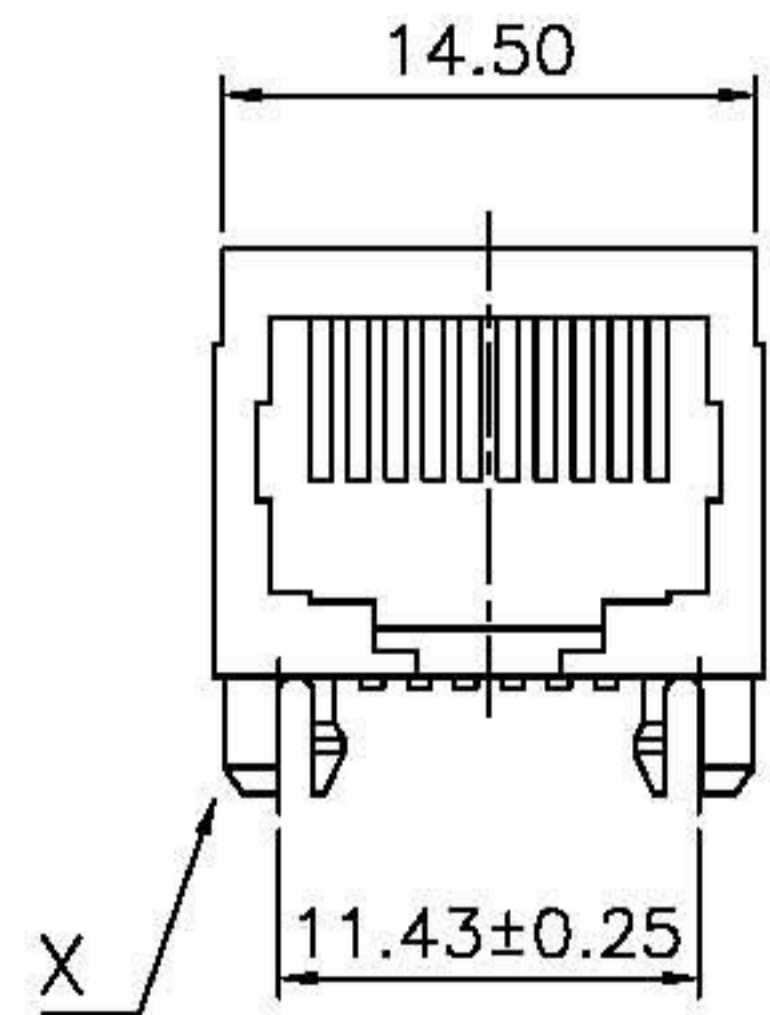
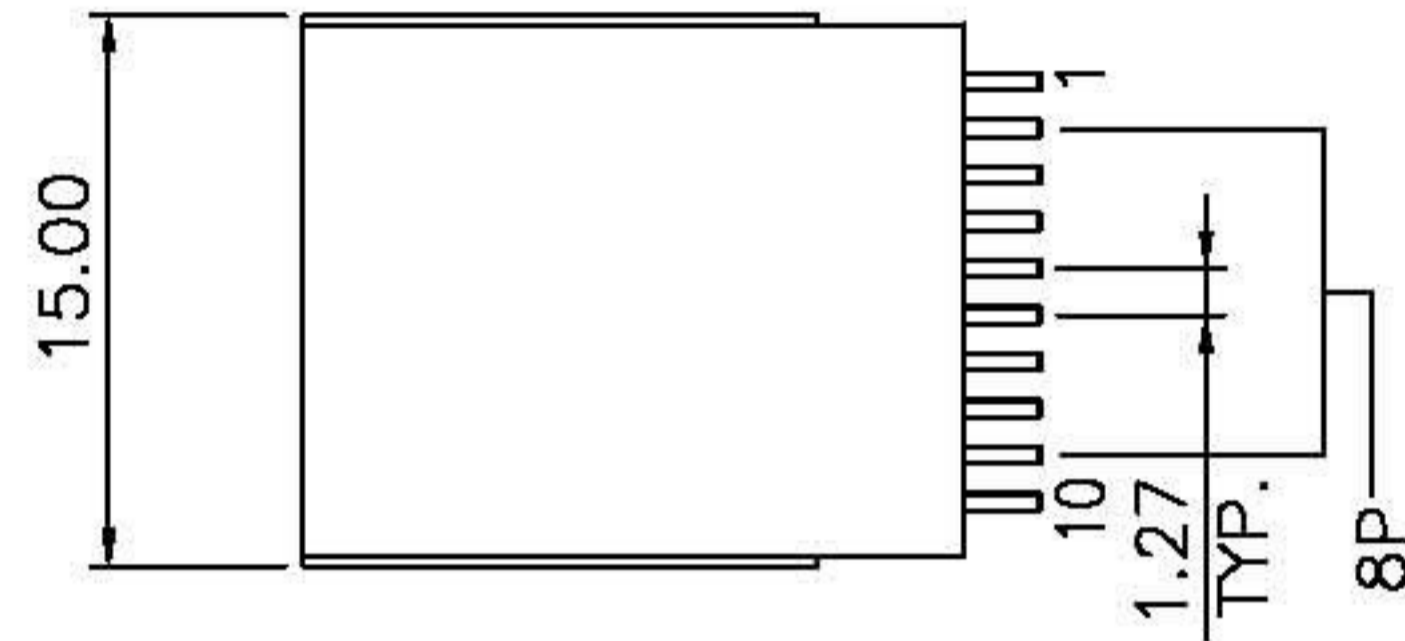


REVISIONS			
LTR	DESCRIPTION	DATE	APP
△	7.85	08/20/'03	CHANG



PC Board Layout
Ref.

DO NOT SCALE
DRAWING

TOLERANCES UNLESS
OTHERWISE NOTED

INCH

MM

DR.

M.L.HUANG

DATE

NOV-21 '05

E-YUNG ENTERPRISE CO., LTD.

THIRD ANGLE PROJECTION

LINEAR $\frac{\text{MM}}{\text{INCH}}$

00 ± .01
000 ± .005
0000 ± .002

0.0 ± 0.25
0.00 ± 0.13
0.000 ± 0.05

CK'D
M.CHANG

NOV-21 '05

TITLE 10 & 8 POSITION SIDE ENTRY, SMT TYPE
VERY LOW PROFILE, SHIELDLESS PCB JACK

MM
INCH

ANGLE ± 0° 30'

RADII

+ 0.40
- 0.15

APP'D
W.J.YANG

NOV-22 '05

SCALE SIZE DWG.NO.

970103

REV. SHEET

6 1