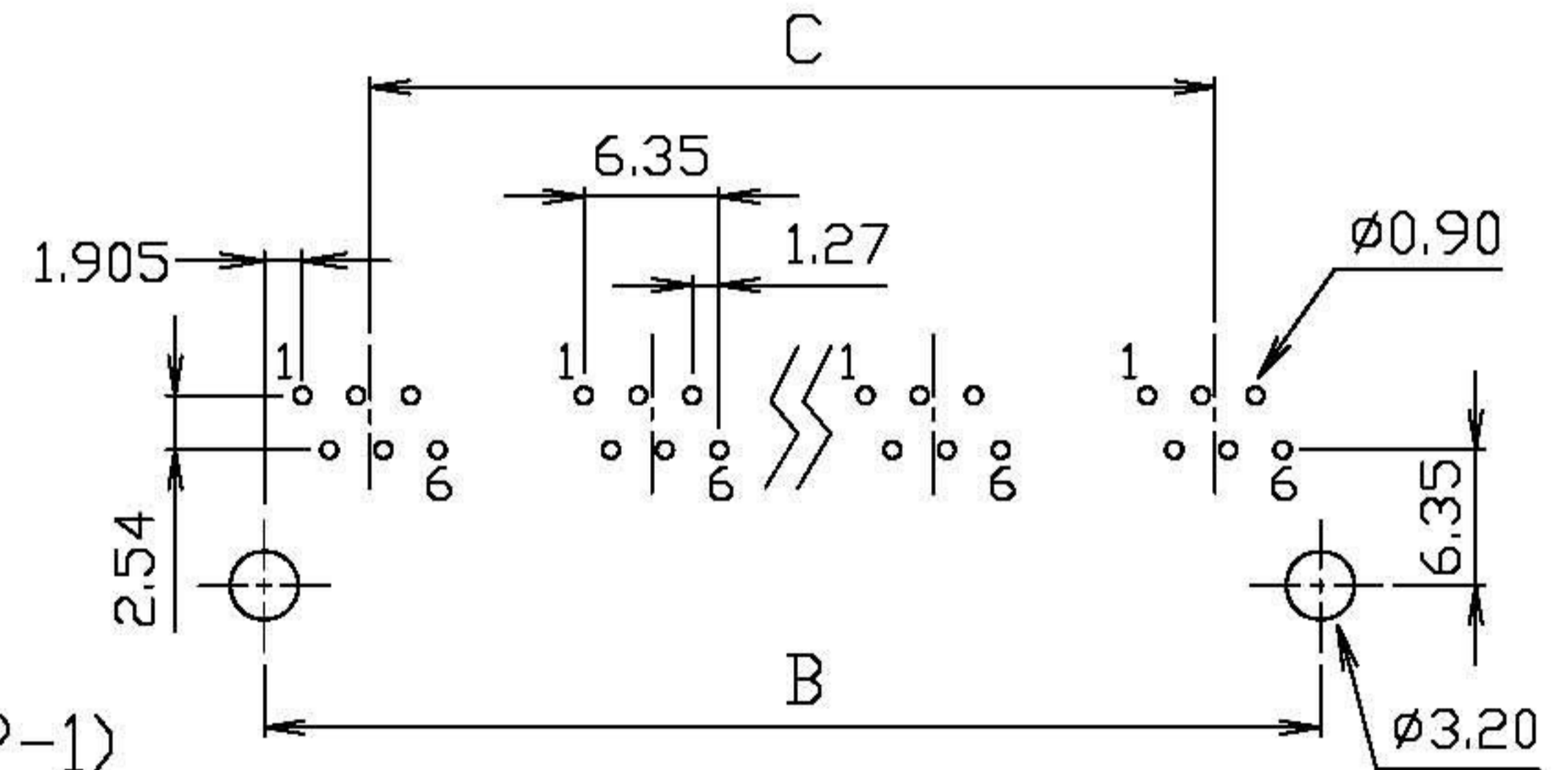
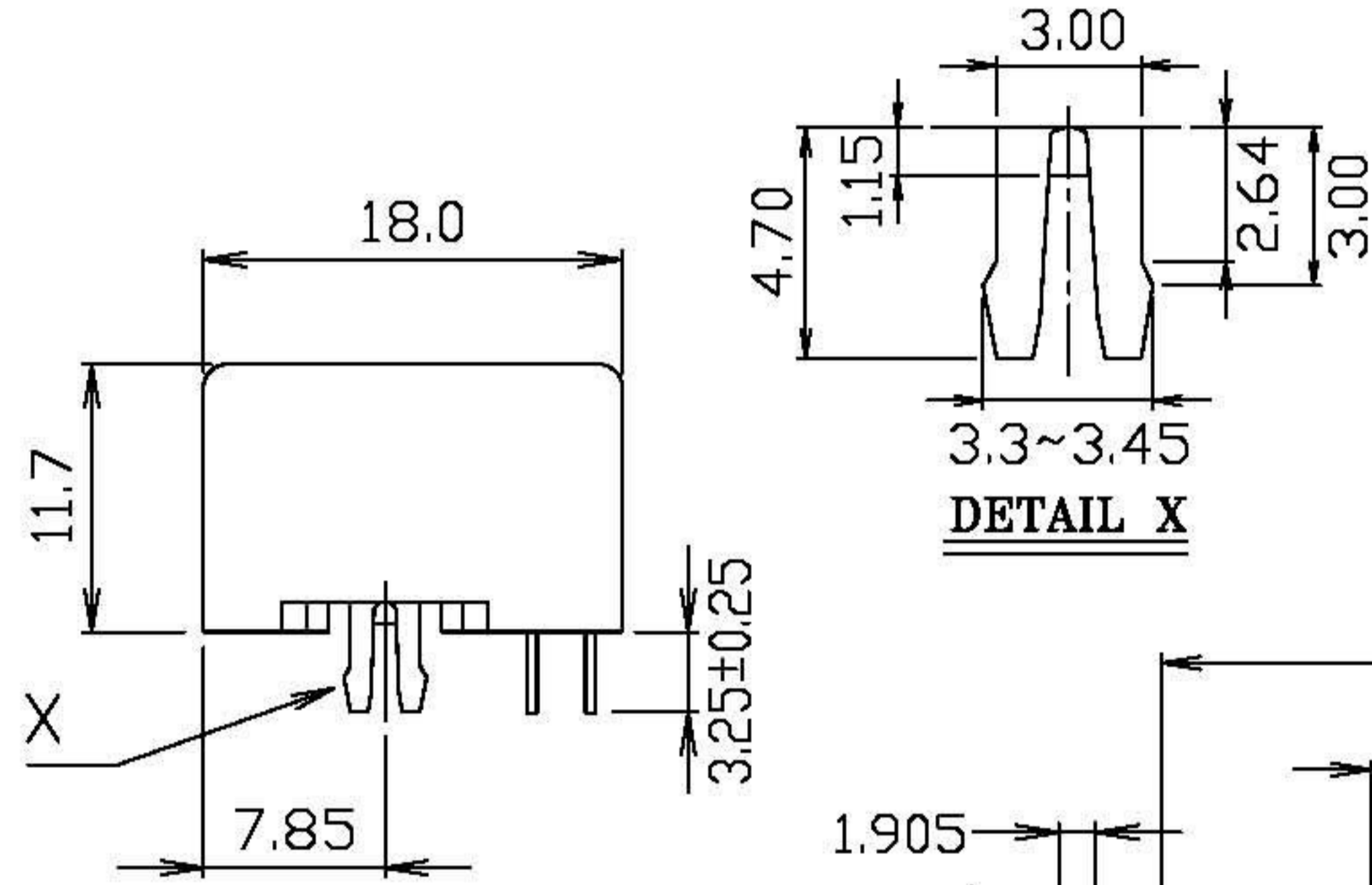
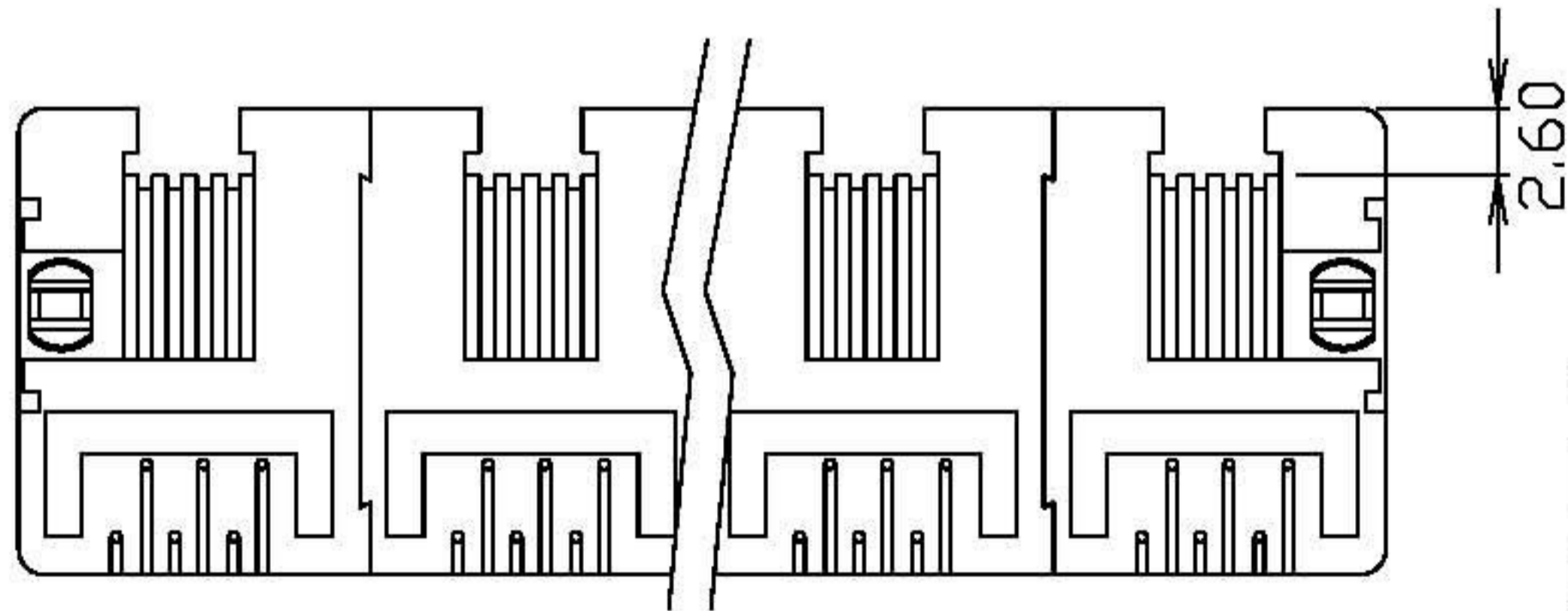
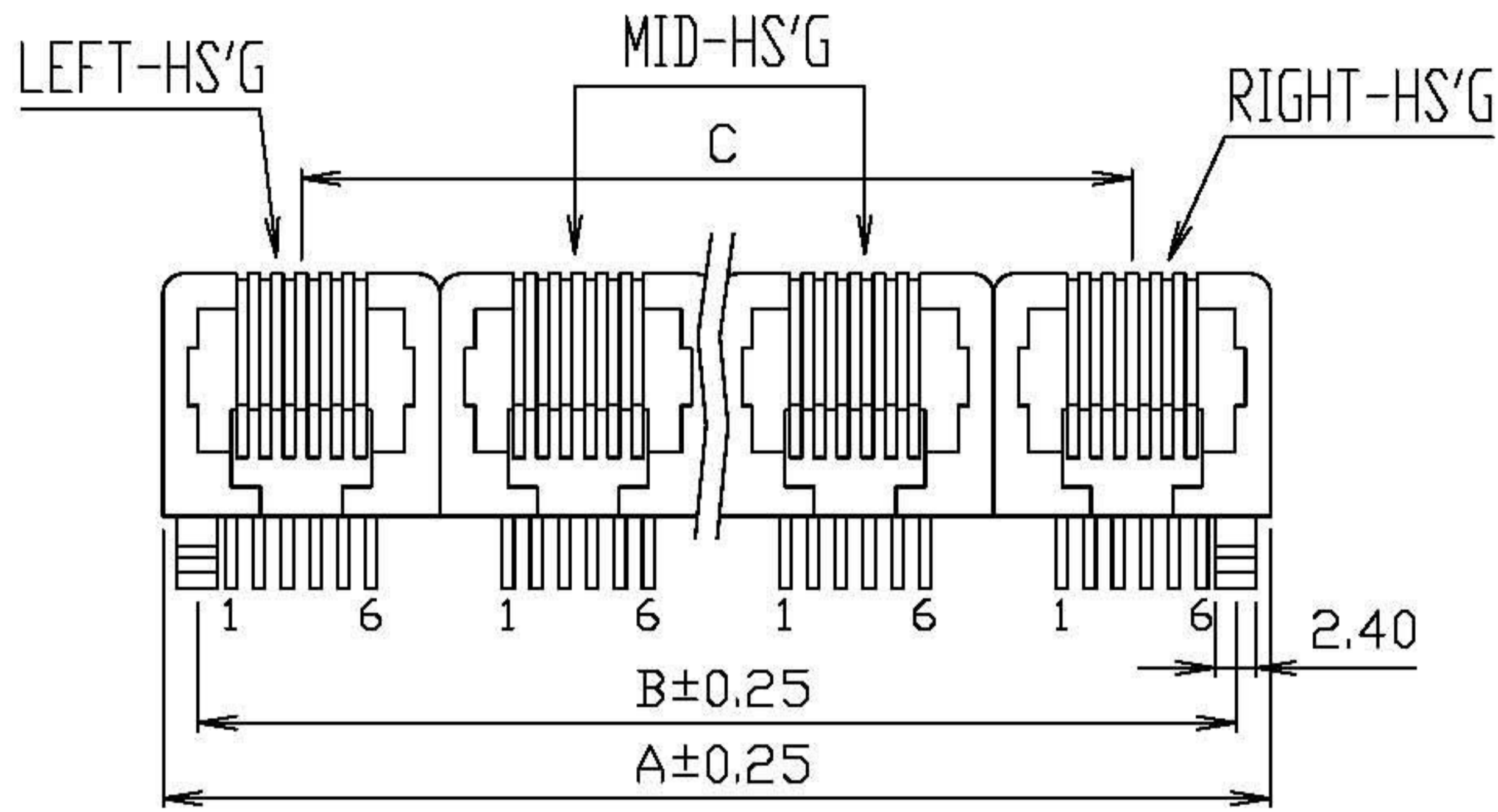


P=NUMBER OF PORTS



$$A = 13.2(m/m)XP - 0.50(m/m)X(P-1)$$

$$B = A - 3.04(m/m)$$

$$C = 12.7(m/m)X(P-1)$$

PCB Layout Ref.

**E-YUNG ENTERPRISE CO., LTD.**

TITLE RJ11, SIDE ENTRY  
VERY LOW PROFILE, GANGED JACK FROM 2PORTS UP.

SCALE	SIZE	DWG.NO.	REV.	SHEET
		969701	3	1

DO NOT SCALE DRAWING

TOLERANCES UNLESS OTHERWISE NOTED

INCH

MM

DR.

*M.L.HUANG*

DATE

NOV-02 '04

THIRD ANGLE PROJECTION

LINEAR  $\frac{MM}{INCH}$

00 ± .01  
000 ± .005  
0000 ± .002

0.0 ± 0.25  
0.00 ± 0.13  
0.000 ± 0.05

CK'D

*M.CHANG*

NOV-02 '04

MM  
INCH

ANGLE ± 0° 30'

RADII

+ 0.40  
- 0.15

APP'D

*W.J.YANG*

NOV-03 '04