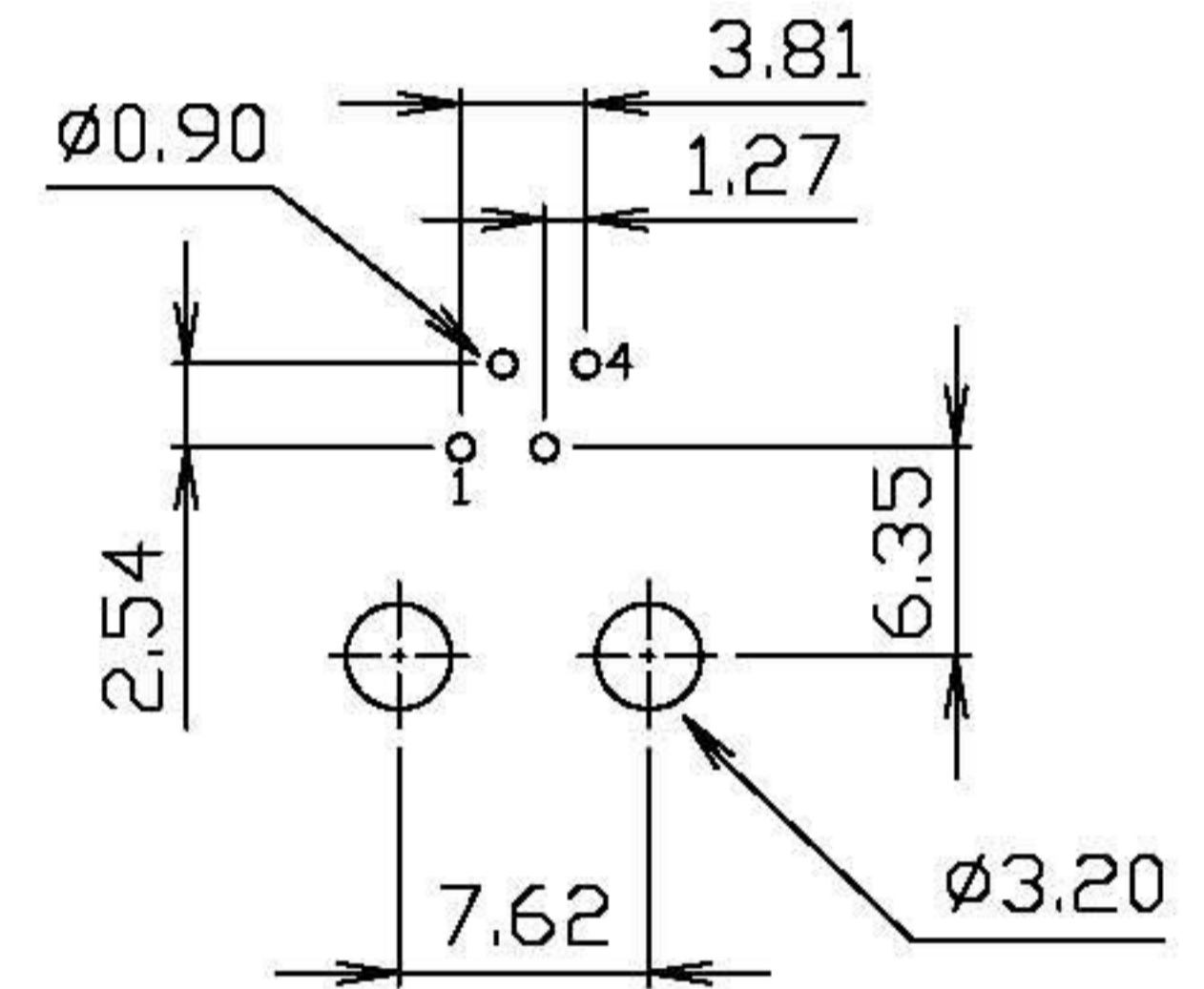
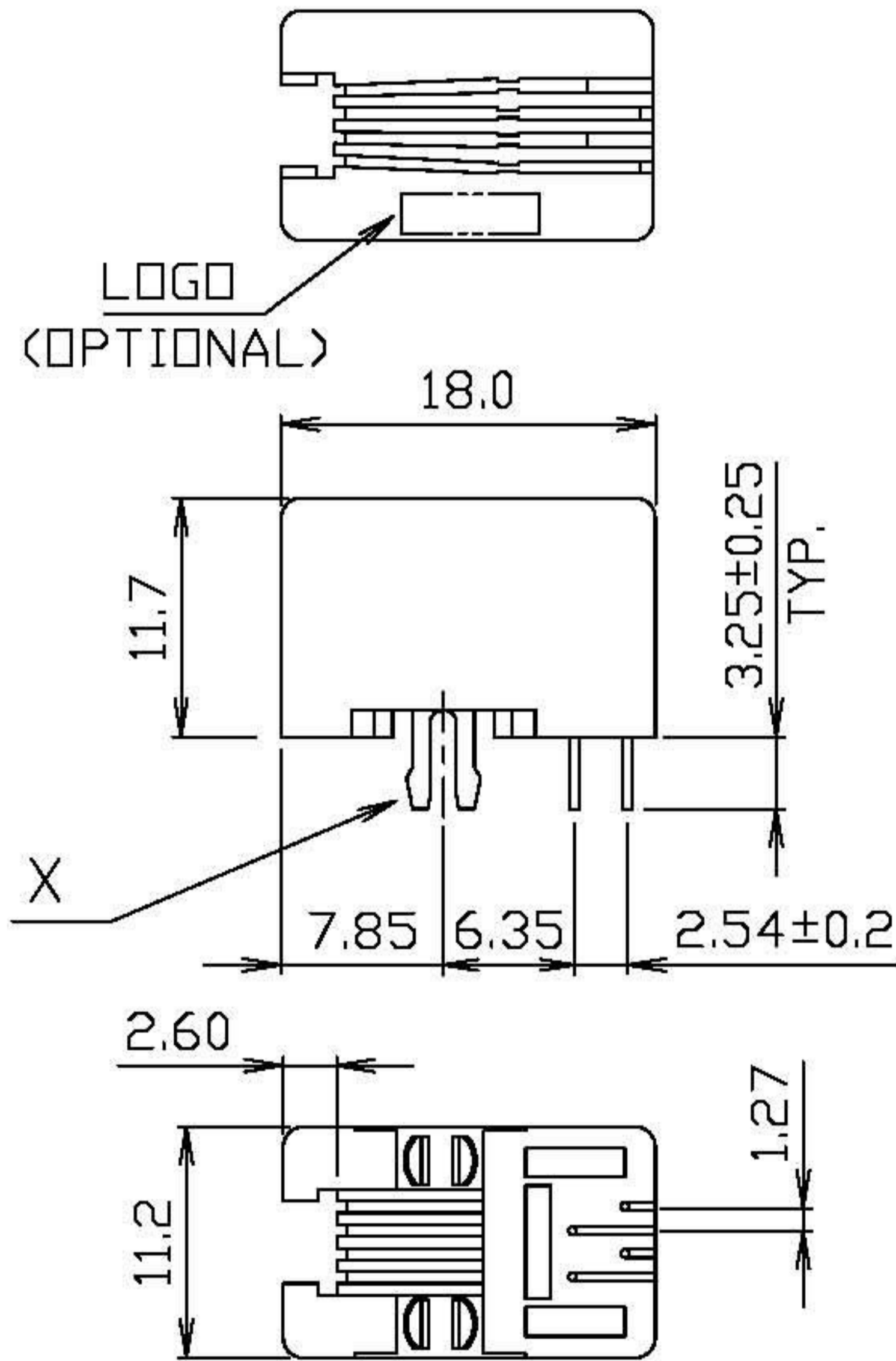
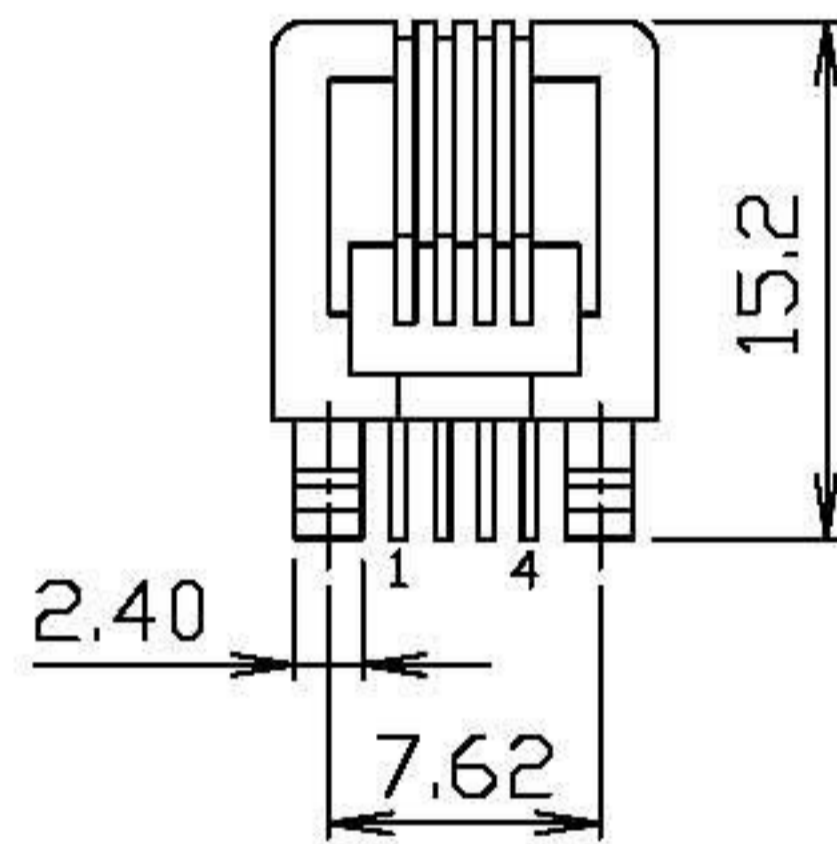
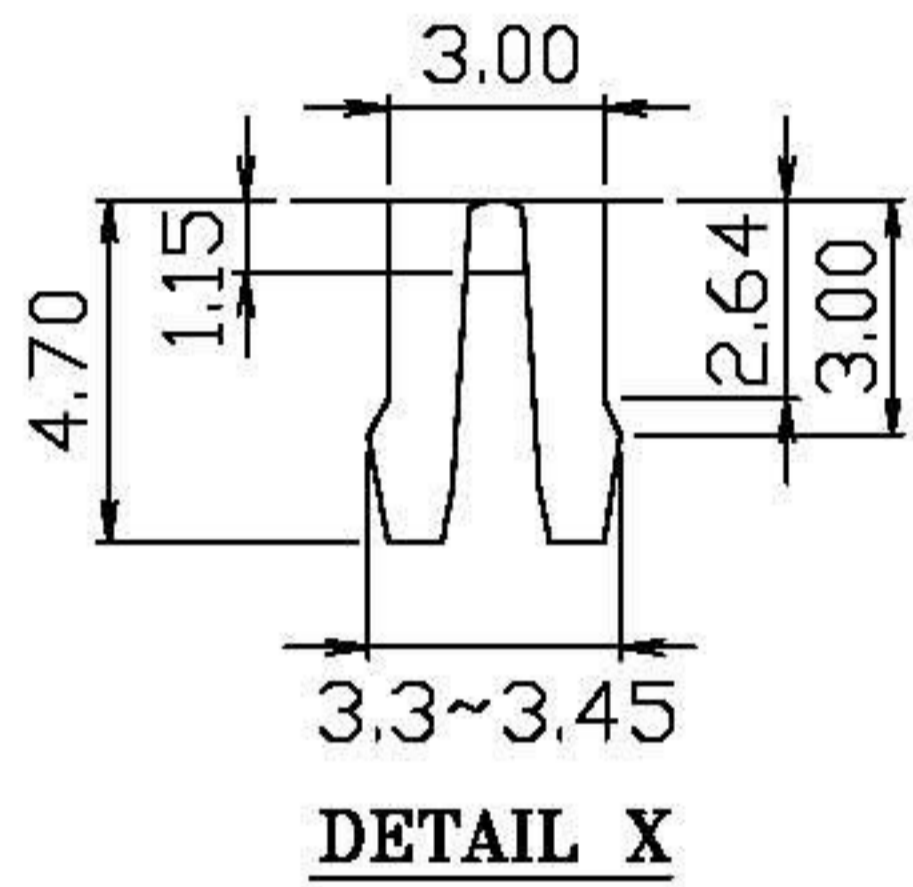


# RoHS Compliance



PC Board Layout  
Ref.

**E-YUNG ENTERPRISE CO., LTD.**

DO NOT SCALE  
DRAWING

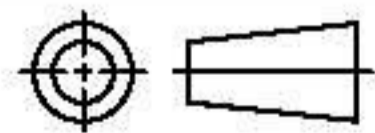
TOLERANCES UNLESS  
OTHERWISE NOTED

INCH

MM

DR.  
*CIAN.CI.LUO*

DATE  
APR-29 '10



THIRD ANGLE PROJECTION

LINEAR  $\frac{\text{MM}}{\text{INCH}}$

$00 \pm .01$   
 $000 \pm .005$   
 $0000 \pm .002$

$0.0 \pm 0.25$   
 $0.00 \pm 0.13$   
 $0.000 \pm 0.05$

CK'D  
*M.CHANG*

APR-29 '10

MM  
INCH

ANGLE  $\pm 0^\circ 30'$

RADII

$+ 0.40$   
 $- 0.15$

APP'D  
*W.J.YANG*

APR-30 '10

SCALE SIZE DWG.NO.

969401

REV.

6

SHEET

1

TITLE  
4POSITION, SIDE ENTRY,  
VERY LOW PROFILE, PCB JACK